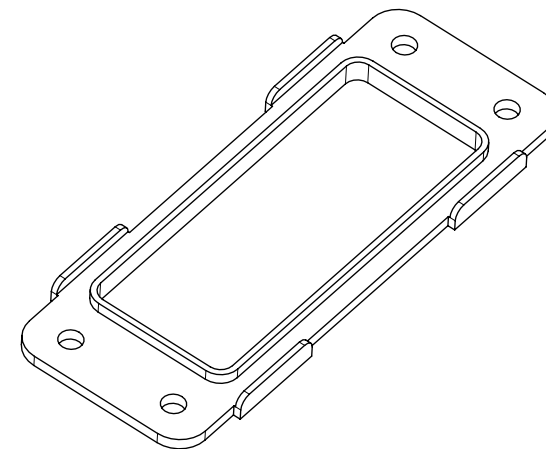


PRE-RELEASE
REFERENCE
USE ONLY



THIS DRAWING CONTAINS INFORMATION THAT IS PROPRIETARY TO MOLEX ELECTRONIC TECHNOLOGIES, LLC AND SHOULD NOT BE USED WITHOUT WRITTEN PERMISSION

DIMENSION UNITS		SCALE		CURRENT REV DESC:				molex											
mm		1:1																	
GENERAL TOLERANCES (UNLESS SPECIFIED)						EC NO: DRWN: AKABADI 2021/03/22 CHK'D: DMERONI 2021/04/01 APPR: INITIAL REVISION: DRWN: AKABADI 2021/03/22 APPR:				5121.019X.X 10A BOTTOM GASKET FOR BULKHEAD HOUSING									
ANGULAR TOL ± 1.0°										PRODUCT CUSTOMER DRAWING									
4 PLACES		±								DOCUMENT NUMBER		DOC TYPE		DOC PART		REVISION			
3 PLACES		±								936070001		PSD		000		A			
2 PLACES		± 0.1																	
1 PLACE		± 0.2																	
0 PLACES		± 0.3																	
DRAFT WHERE APPLICABLE MUST REMAIN WITHIN DIMENSIONS				FIRST ANGLE PROJECTION		DRAWING		SERIES		MATERIAL NUMBER		CUSTOMER		SHEET NUMBER					
						A4-SIZE		93607		936070001		GENERAL MARKET		1 OF 1					

DOCUMENT STATUS	RV	RELEASE DATE	
-----------------	----	--------------	--