

THIS DRAWING IS UNPUBLISHED.

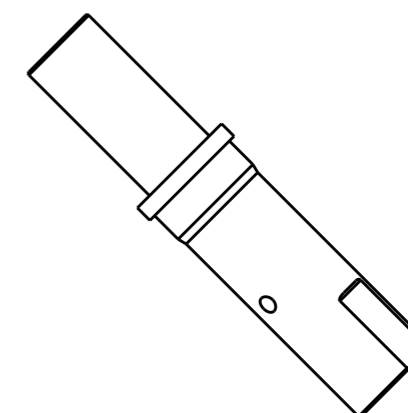
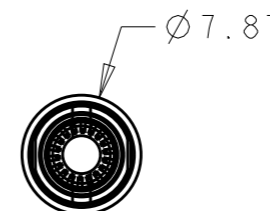
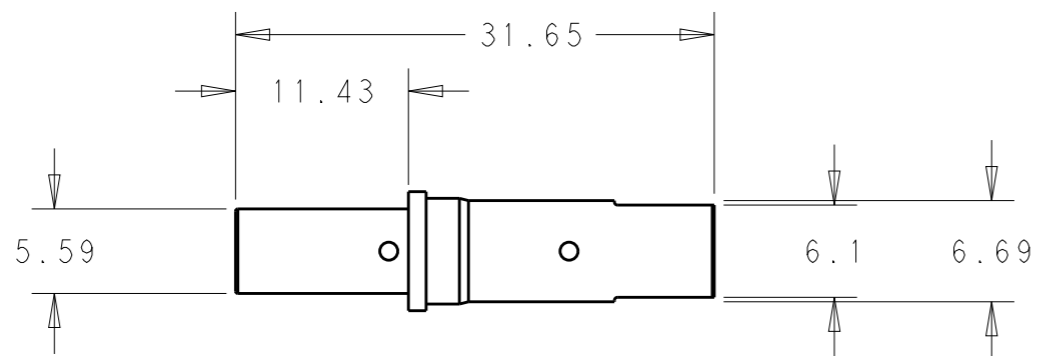
RELEASED FOR PUBLICATION

20

© COPYRIGHT 20 BY -

ALL RIGHTS RESERVED.

LOC	DIST	REVISIONS					
-	-	P	LTR	DESCRIPTION	DATE	DWN	APVD
			A	RELEASED	22MAR2013	DO	DO



1. PART NUMBER CHANGES AND/OR DESIGN CHANGES AFFECTING ITEM INTERCHANGEABILITY REQUIRES PRIOR TYCO ELECTRONICS APPROVAL AND AUTHORIZATION BY REVISION TO THIS DRAWING.

2 MATERIAL:  
 BODY: COPPER ALLOY  
 CROWN BAND: BERYLLIUM COPPER

3 FINISH:  
 BODY: SILVER PLATE .000200 MIN THK. OVER NICKEL  
 .000050 MIN THK.  
 CROWN BAND: GOLD PLATE .000030 MIN THK. IN CONTACT AREA  
 OVER NICKEL .000050 MIN THK.

4. ITEMS PROVIDED TO THIS SPECIFICATION TO BE PERMANENTLY IDENTIFIED ON THE CONTAINER PER THE FOLLOWING IDENTIFIER:

TYCO ELECTRONICS P/N      YEAR ] [ WEEK  
 \_\_\_\_\_      \_\_\_\_\_ ] [ \_\_\_\_\_  
 XXXXXXXX-X      XXXX

AS SHOWN	6651903-1
DESCRIPTION	PART NUMBER

THIS DRAWING IS A CONTROLLED DOCUMENT.

DWN D. ORRIS 22MAR2013  
 CHK D. ORRIS 22MAR2013  
 APVD D. ORRIS 22MAR2013



DIMENSIONS: mm [ INCHES ]	TOLERANCES UNLESS OTHERWISE SPECIFIED:
	0 PLC ±-
	1 PLC ±0.5
	2 PLC ±0.13
	3 PLC ±-
	4 PLC ±-
	ANGLES ±-

PRODUCT SPEC -  
 APPLICATION SPEC -  
 WEIGHT -

NAME CONTACT, SOCKET, SIZE 8 M3X0.5 THREAD, REMOVABLE			
SIZE	CAGE CODE	DRAWING NO	RESTRICTED TO
A3	00779	C-6651903	-

MATERIAL - FINISH -

CUSTOMER DRAWING      SCALE 2:1      SHEET 1 OF 1      REV A