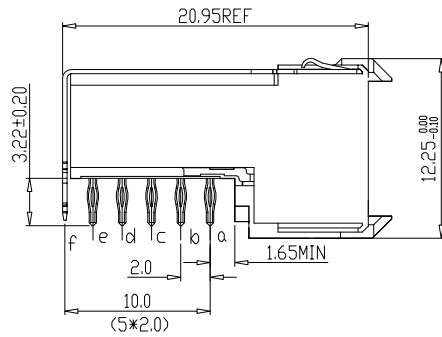


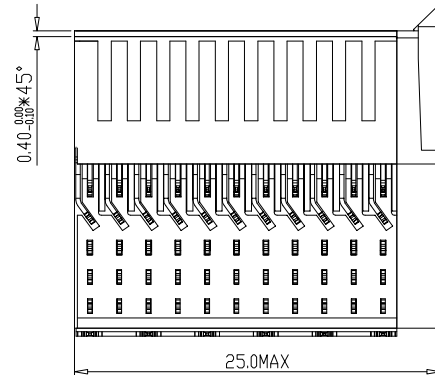
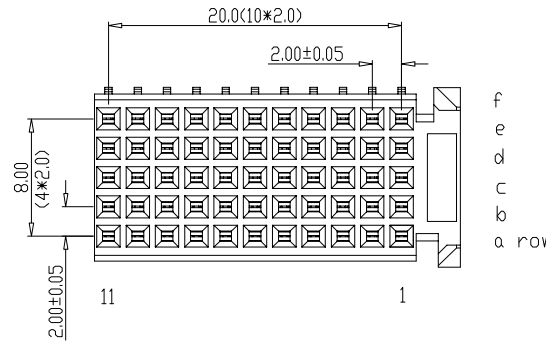
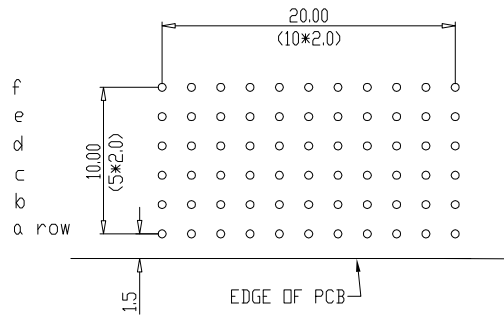


Tous droits strictement reserves. Reproduction ou communication a des tiers interdite sous quelque forme que ce soit sans autorisation écrite du propriétaire. Propriete de c FCI. Droits de reproduction FCI.

All rights strictly reserved. Reproduction or issue to third parties in any form whatever is not permitted without written authority from the proprietor. Property of FCI. Copyright FCI.

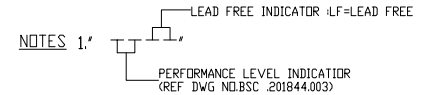


LAY-OUT  
P.C.B.- HOLE



PERFORMANCE CHARACTERISTICS

CURRENT RATING 1.5A AT 20°C (FULLY LOADED)  
 1 A AT 70°C (FULLY LOADED)  
 RATED VOLTAGE : 500 V AC (CONT /CONT)  
 OPERATING TEMPERATURE : -55°C TO 125°C  
 CONTACT RESISTANCE 20 MΩ MAX  
 INSERTION FORCE : 0.75N MAX/CONT  
 EXTRACTION FORCE : 0.15N MIN/CONT  
 INSULATION RESISTANCE : 10<sup>4</sup> MΩ MIN



NOTES 1:

- THIS PRODUCT IS CSA APPROVED, THIS PRODUCT IS UL RECOGNIZED.
- FOR RECOMMENDED PTH DIMENSIONS REFER DRAWING : BS.A.201572.001
- THIS PRODUCT (LF) MEETS EUROPEAN UNION DIRECTIVES AND OTHER COUNTRY REGULATIONS AS DESCRIBED IN GS-22-008

rev	ecn no	dr	date
A	CONVERSION REVISION 02	KN	14-09-01
B	DG05-0278	Kason	02-08-05
C	DG07-0362	Kason	05-09-07
D	DG10-0110	NZ	05-30-10

Material		Spec ref		
Mat code			tolerance 1DEC ± 0.2 1DEC 2DEC ± 0.1 2DEC ANGLES ± 1° HOEKEN	
Heattreat			projection 	MM
Plating/Finish			size A4	Scale 2.000
Dr	W,Paris	07-04-92		
Eng			Product family MILLIPACS	
Chr			Model Name ECN	
Appr			Model Revision REL Level	
		title	MPACS 5+2R RA RCP CONN TYPE CR	
Pro/E file		catalog no	HM2R21PA5108----	
		dwg no	BSC201444054	
		Rev.	D	
		sheet	1 of 1	