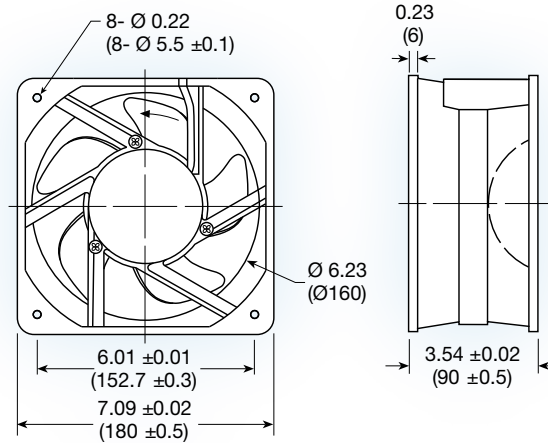
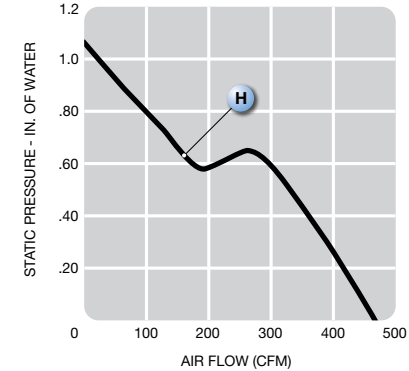


UF18JC-4 series



(180 x 180 x 90 mm)
7.09 x 7.09 x 3.54 inches



Operating voltage:	115 or 230 VAC
Construction:	aluminum die cast frame; UL94V-0 PBT impeller
Bearing option:	ball bearing
Motor:	permanent split capacitor
Air Flow:	exhaust over struts
Connection:	terminal or 22 AWG lead wires
Protection:	thermal
Options:	dual voltage 115/130VAC, tachometer output

Model No.	Rated Voltage V	Freq. HZ	Input Power W	Rated Cur. A	Locked Cur. A	Speed RPM	Air Volume		Max. Static Pressure (H ₂ O)		Sound Noise dbA	Weight kg
							M ³ /Min.	CFM	MM	INCH		
UF18JC12-__H	115	60	72	0.63	2.01	3,400	13	460	27	1.06	59	2.20
UF18JC23-__H	230	60	72	0.31	1.01	3,400	13	460	27	1.06	59	2.20

