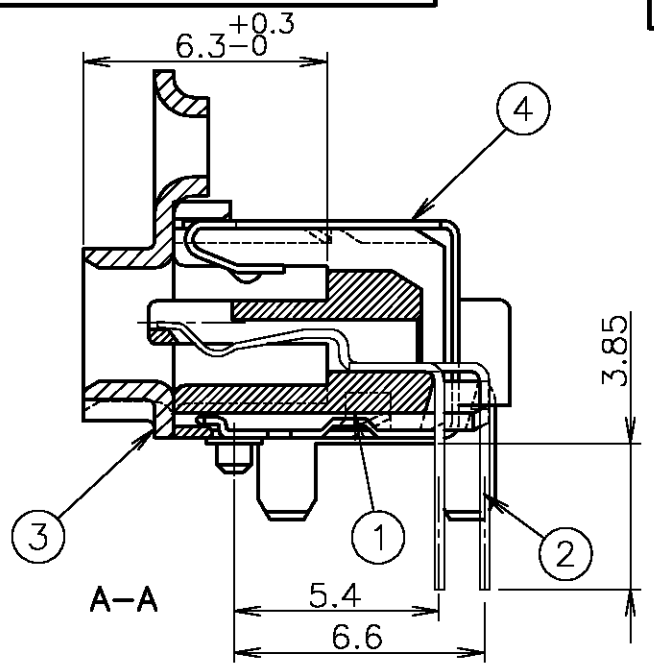
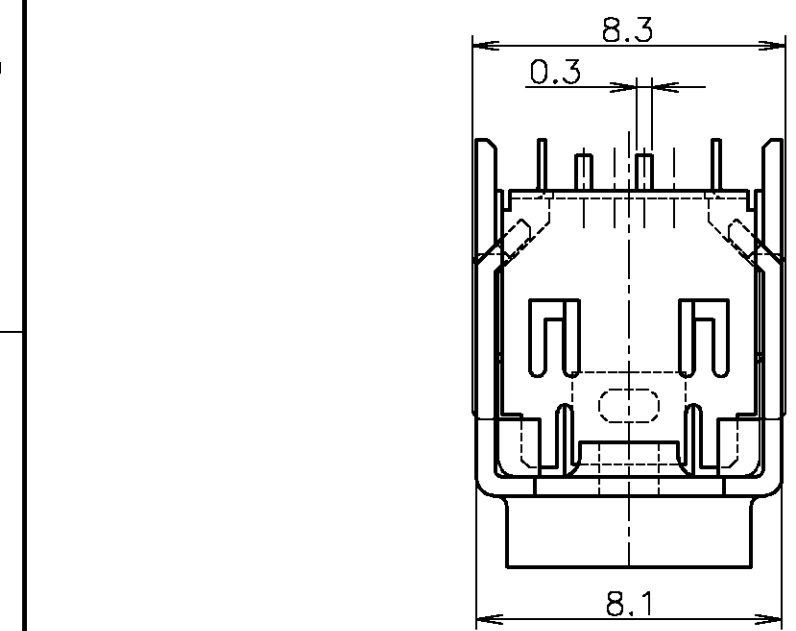
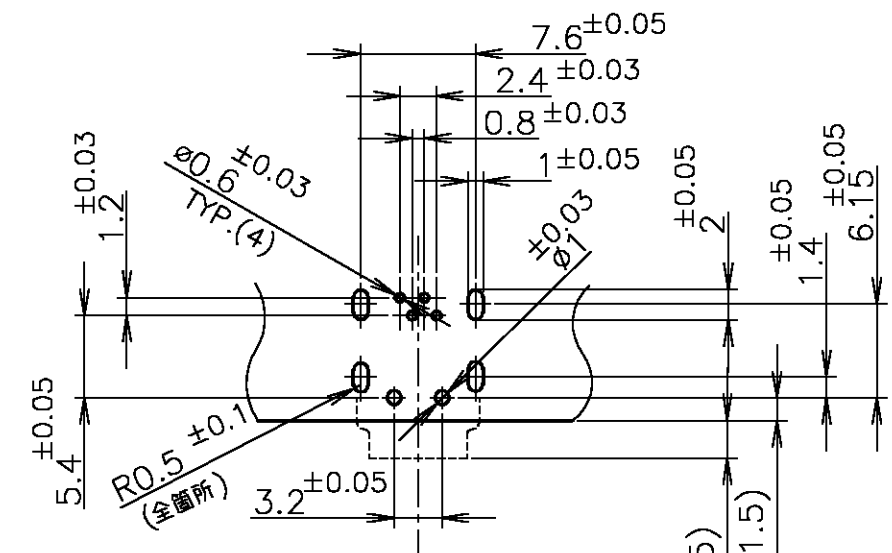


THIS DRAWING IS UNPUBLISHED. RELEASED FOR PUBLICATION JUL, 1996.  
 © COPYRIGHT 1996 BY TYCO ELECTRONICS CORPORATION. ALL RIGHTS RESERVED.

LOC	DIST	P	LTR	REVISIONS 変更	DESCRIPTION	DATE	DWN	APVD	
J	/			A	REVISED	FJB0-0366-03	15JAN04	J.T	H.M

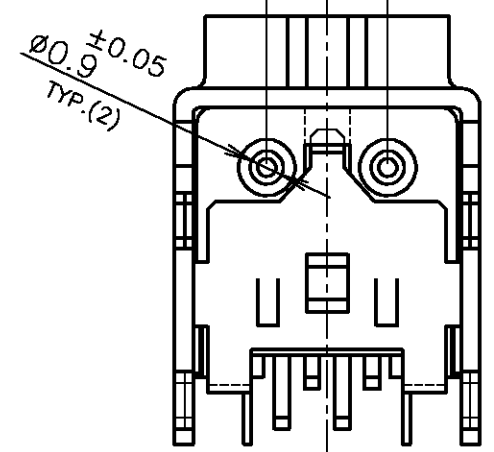
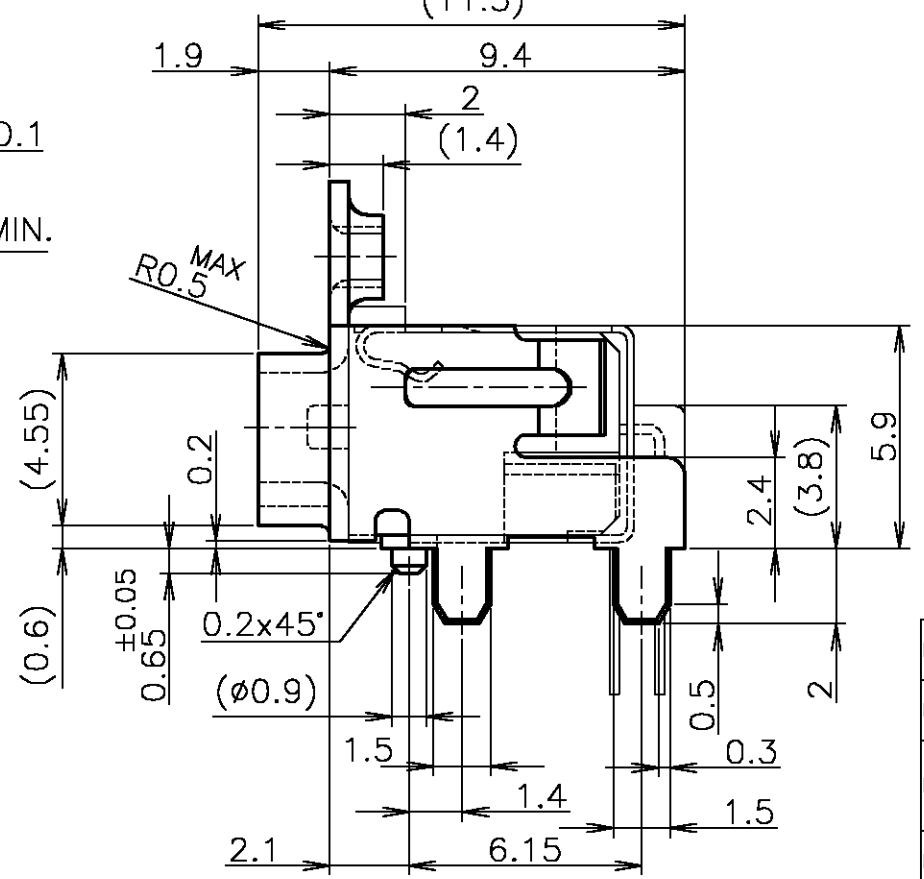
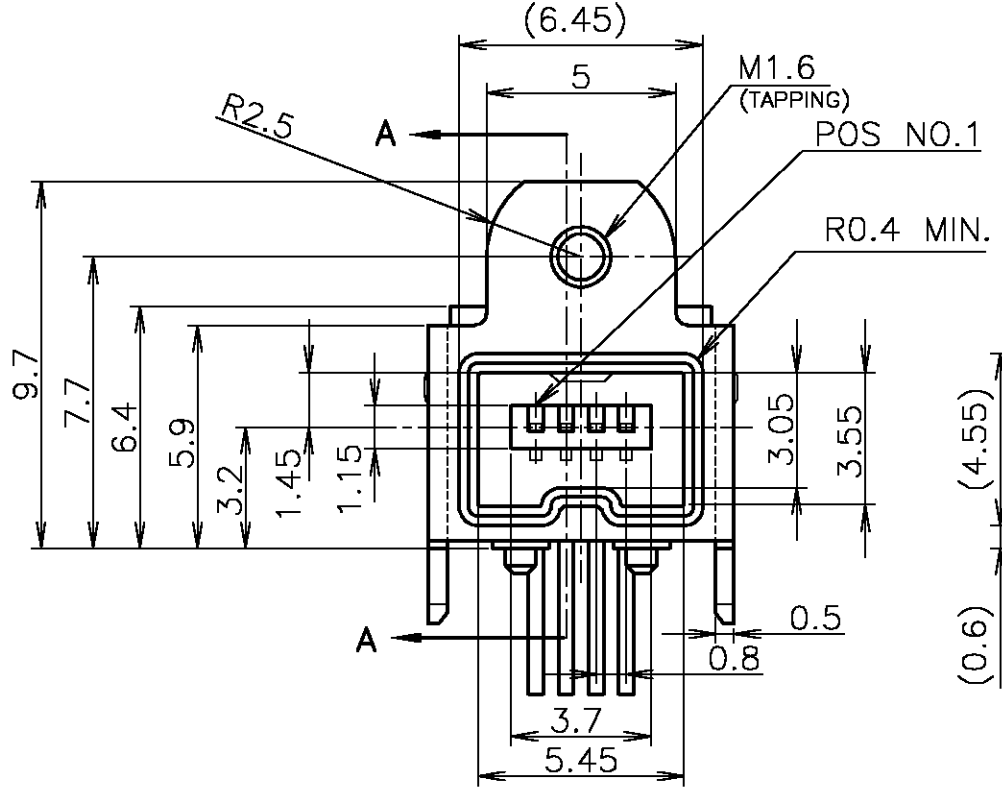


-1: 本図  
AS SHOWN



推奨基板レイアウト  
(SCALE 2:1) (1.6±0.1THK)

- M1.6 ビス締め部推奨トルク; 19.6N・cm(2kgf・cm)
- M1.6 TAP; 19.6N・cm(2kgf・cm) MAX.



鉛フリー  
LEAD FREE

NO.	NAME	MATERIAL	FINISH
④	BACK SHELL	りん青銅 PHOS-BRO	TIN: 0.002mm
③	FRONT SHELL	黄銅 BRASS	TIN: 0.002mm
②	CONTACT	銅合金 COPPER ALLOY	Ni UNDER PLATING: 0.00127mm MIN. CONTACT AREA: Au 0.0003mm MIN. SOLDERING AREA: TIN 0.002mm
①	HOUSING	6T ナイロン (UL94V-0)	BLACK

THIS DRAWING IS A CONTROLLED DOCUMENT.

DWN H.HOSHINO 14APR98	<p>Tyco Electronics AMP K.K. Kawasaki, Japan</p> <p>REC HEADER 4POS DIP TYPE IEEE 1394 AV CONNECTOR (パネル取付タイプ)</p>	SIZE A3	CAGE CODE 00779	DRAWING NO C-1123843	RESTRICTED TO
CHK J.TANIGAWA 14APR98		SCALE 5:1	SHEET 1 OF 1	REV A	
APVD S.KUBOUCHI 14APR98		CUSTOMER DRAWING			
PRODUCT SPEC 製品規格					

APVD: S.KUBOUCHI 14APR98

APPLICATION SPEC: 取付適用規格

WEIGHT: SEE TABLE

FINISH: 仕上 SEE TABLE

MATERIAL: 材料 SEE TABLE

DIMENSIONS: 単位: 概 MM

TOLERANCES UNLESS OTHERWISE SPECIFIED: 一般公差

0 PLC	± 0.3
1 PLC	± 0.3
2 PLC	± 0.3
3 PLC	± 0.3
4 PLC	± 0.3
ANGLES	± 3°