

3.2. 900 MHz Radio Modem

3

DSSS RF Products



Features

- Half-duplex up to 115200 bps
- Internal Self-Tuner
- ISM Band 900 MHz
- Typical wireless transmission range is 1000 meters (LOS)
- UI Configuration via external switch

Introduction

The SST-900B is a radio frequency modem with an RS-232/RS-485 interface port and is designed for data acquisition and control applications between a host and remote sensors. It is also useful for those applications where the installation of cable wire is inconvenient. The SST-900B module is a wireless module that works in a frequency range of 902-928 MHz, and includes adjustable 16 RF channels and each channel can be allocated one of sixteen group IDs. The SST-900B can be used not only in peer-to-peer mode but also in a multi-point structure.

2

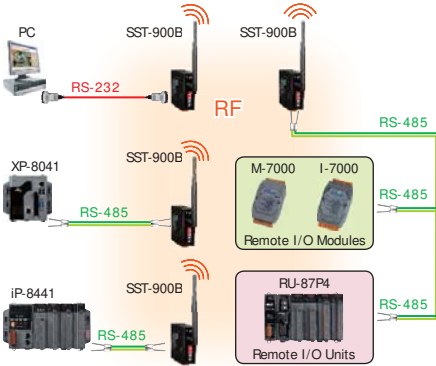
900 MHz Radio Modem

Specifications

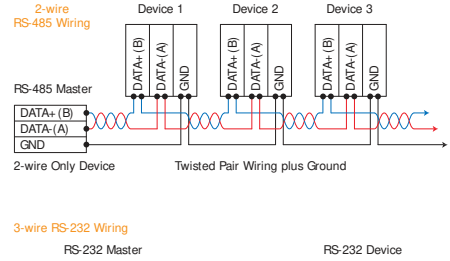
Models		SST-900B
Wireless		
Operating Frequency Range	915 MHz (902 MHz ~ 928 MHz)	
Channel Spacing	1.5 MHz	
Transmit Power	3 dBm	
Number of Channel	16	
Transmission Range	Typical 700 m, Max. 1 Km	
Data Bit Error Rate	@ -100 dBm	
Antenna		
Type	3 dBi Omni-directional, bendable	
Connector	Reverse Polarity SMA (RP-SMA) Plug (Male)	
Serial Link		
Interface	RS-232	TxD, RxD, GND
	RS-485	D+, D-; internal self-tuner ASIC; Non-isolated
Max. Data Transfer Rate (Half-duplex Mode)	115200 bps	
Data Format	N, 8, 1 or E, 8, 1	
Power		
Operating Voltage	+10 Vdc ~ +30 Vdc	
Mechanical		
Dimensions (W x H x D)	84 mm x 107 mm x 33 mm	
Environment		
Operating Temperature	-25 °C ~ +70 °C	
Storage Temperature	-40 °C ~ +80 °C	
Humidity	0% ~ 90% RH, Non-condensing	

SST-900B

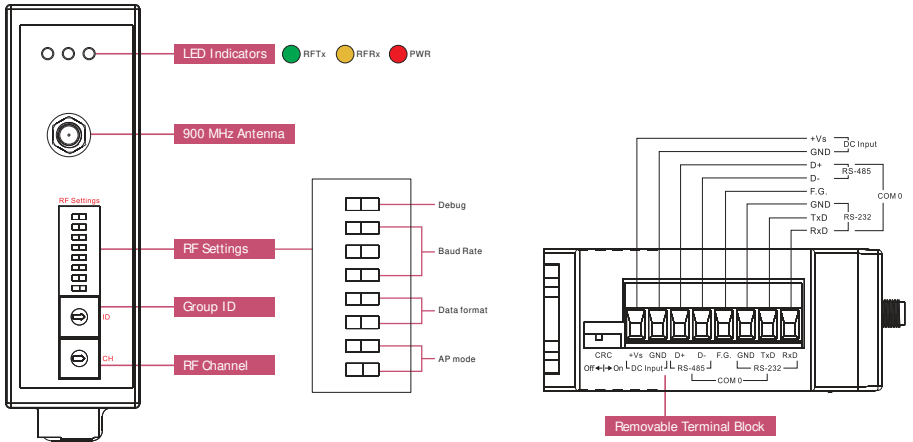
Applications



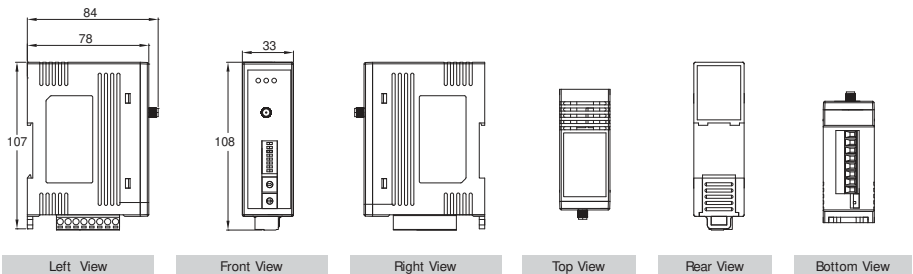
Wiring



Pin Assignments



Dimensions (Units: mm)



Ordering Information

SST-900B	900 MHz Wireless Modem
----------	------------------------