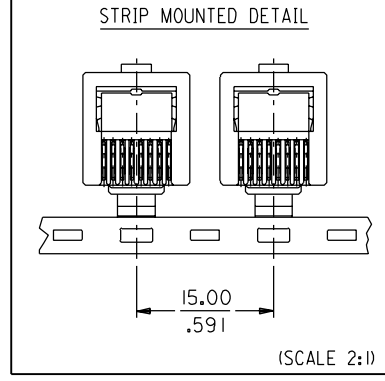
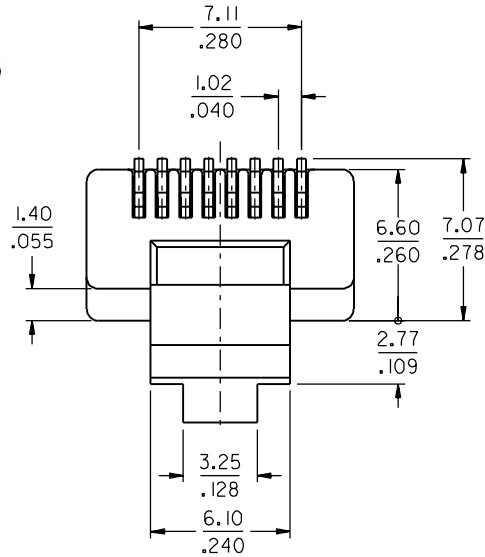
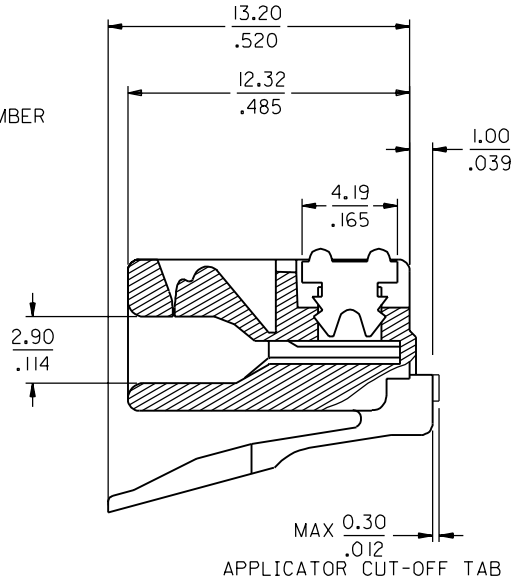
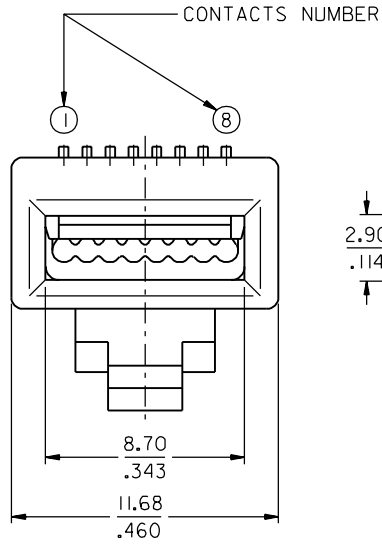


PART NO. SEE CHART  
DWG. NO. SDA-90075



**NOTES:**

- 1- MATERIAL:  
HOUSING: POLYCARBONATE CLEAR.  
TERMINAL: (0.38)/.015 THICK PHOSPHOR BRONZE.  
PLATING: (0.00076)/.000030 MIN. GOLD IN CONTACT AREA (0.00127)/.000050 MIN. TIN LEAD IN PIERCE AREA BOTH OVER (0.00127)/.000050 MIN. NICKEL.
- 2- PRODUCT INTENDED TO TERMINATE FLAT OVAL CABLE CONFORMING TO REA BULLETIN 345-80-PE 75 HAVING (0.94)/.037 Ø MAXI OVER CONDUCTORS INSULATION.
- 3- PRODUCT SPECIFICATION: PS-90075
- 4- APPLICATION SPECIFICATION: AS-90075.

CKTS	NUMBER OF LOADED CONTACTS	STRIP MOUNTED		LOOSE PIECE	
		PART NUMBER	TOOLED	PART NUMBER	TOOLED
8	8	90075-0130	YES	90075-0132	YES
	4 (CKTS 1,2,7,8)	90075-0200	YES	90075-0201	YES

3	M
2	M
1	M

REDRAWN ON CAD SYST. ECN MC 899-0325 FB 99/06/09	REVISIONS FOR PREVIOUS REVISIONS SEE MRI LIST	THIRD ANGLE PROJECTION		REVISE ONLY ON CAD SYSTEM													
		UNLESS OTHERWISE SPECIFIED TOLERANCES: ANGULAR ±2°		CAD/CAM PROJECT NAME													
		<table border="1"> <tr> <th></th> <th>INCH</th> <th>METRIC</th> </tr> <tr> <td>3 PLACE</td> <td>± .010</td> <td>±</td> </tr> <tr> <td>2 PLACE</td> <td>± .014</td> <td>± 0.25</td> </tr> <tr> <td>1 PLACE</td> <td>±</td> <td>± 0.35</td> </tr> </table>			INCH	METRIC	3 PLACE	± .010	±	2 PLACE	± .014	± 0.25	1 PLACE	±	± 0.35	THIS DRAWING CONTAINS INFORMATION THAT IS PROPRIETARY TO MOLEX INC. & SHOULD NOT BE USED WITHOUT WRITTEN PERMISSION	
			INCH	METRIC													
3 PLACE	± .010	±															
2 PLACE	± .014	± 0.25															
1 PLACE	±	± 0.35															
DRAFT WHERE APPLICABLE MUST REMAIN WITHIN DIMENSIONS		TITLE															
DESIGN DIMENSION <input checked="" type="checkbox"/> MM <input type="checkbox"/> IN.		8 POSITIONS MODULAR PLUG W.E. TYPE 8 AND 4 LOADED CONTACTS															
EQUIVALENT DIMENSION <input type="checkbox"/> MM <input checked="" type="checkbox"/> IN.		MOLEX MOLEX EUROPE															
IF TWO DIMENSIONS ARE SHOWN THE UPPER IS THE DESIGN DIMENSION, LOWER IS SECONDARY		SHEET NO. DATE															
SCALE 5:1		1 OF 3 96/12/09															
PART NO. SEE CHART		DWG NO. SDA-90075															
SIZE B																	