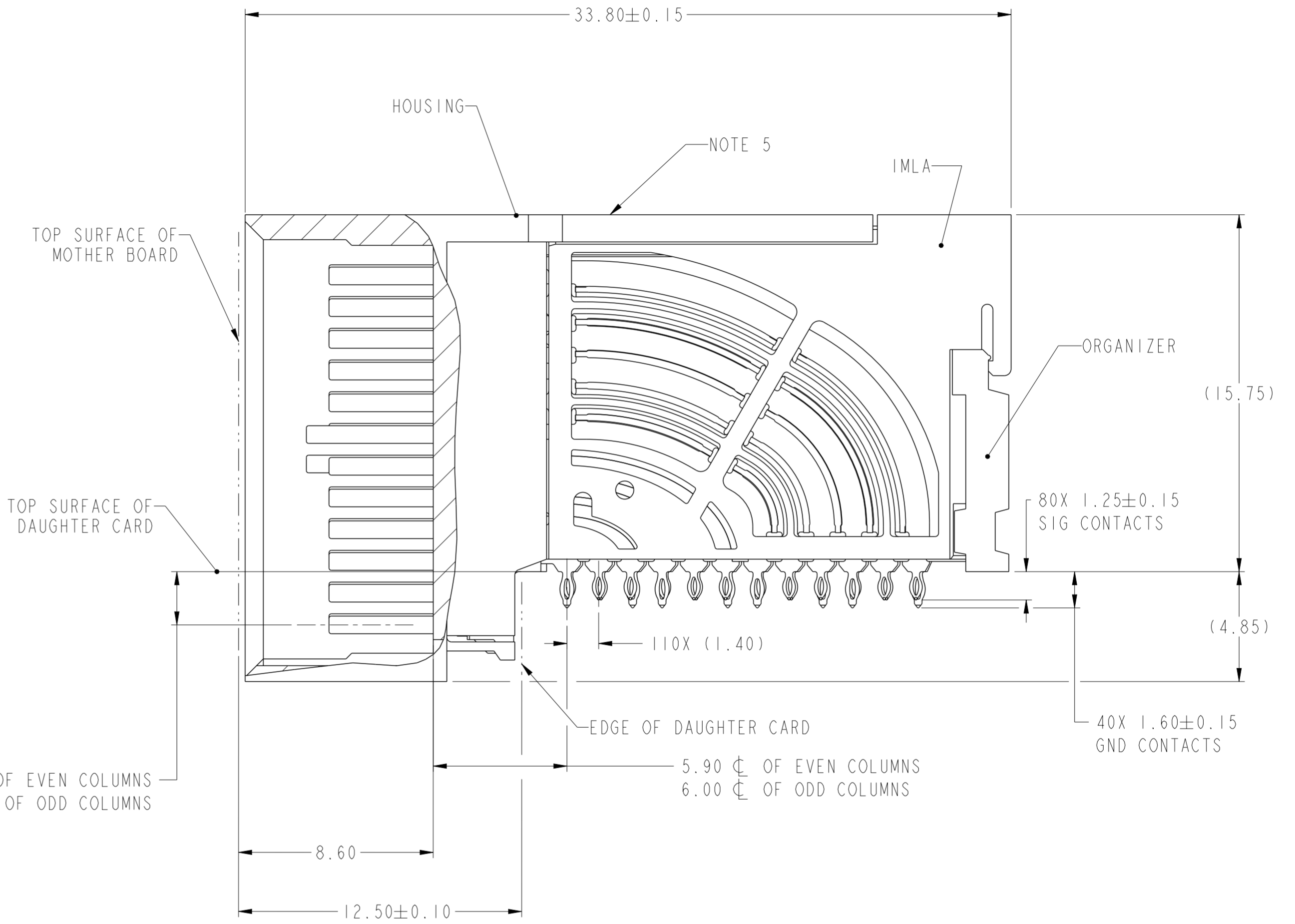
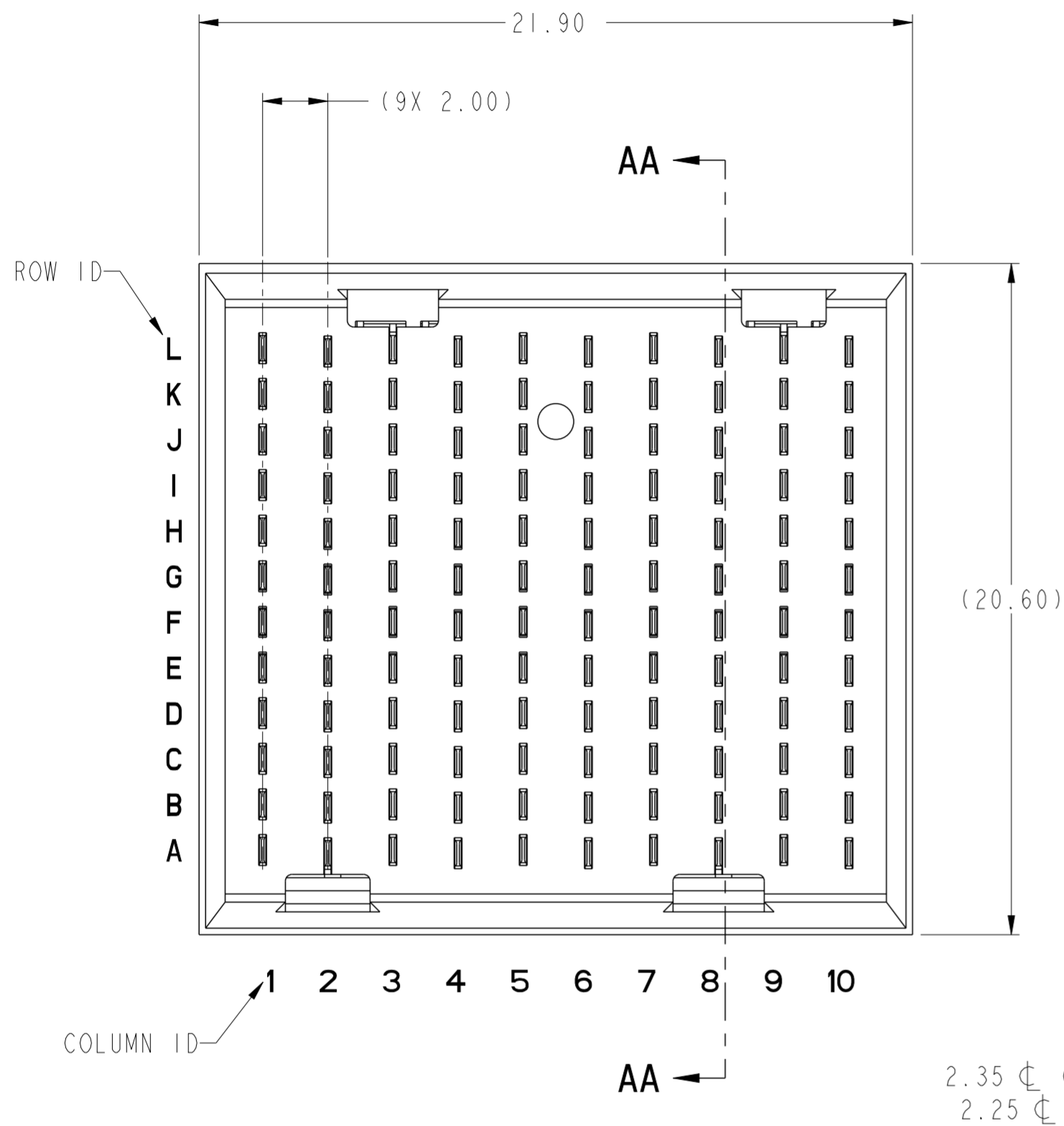
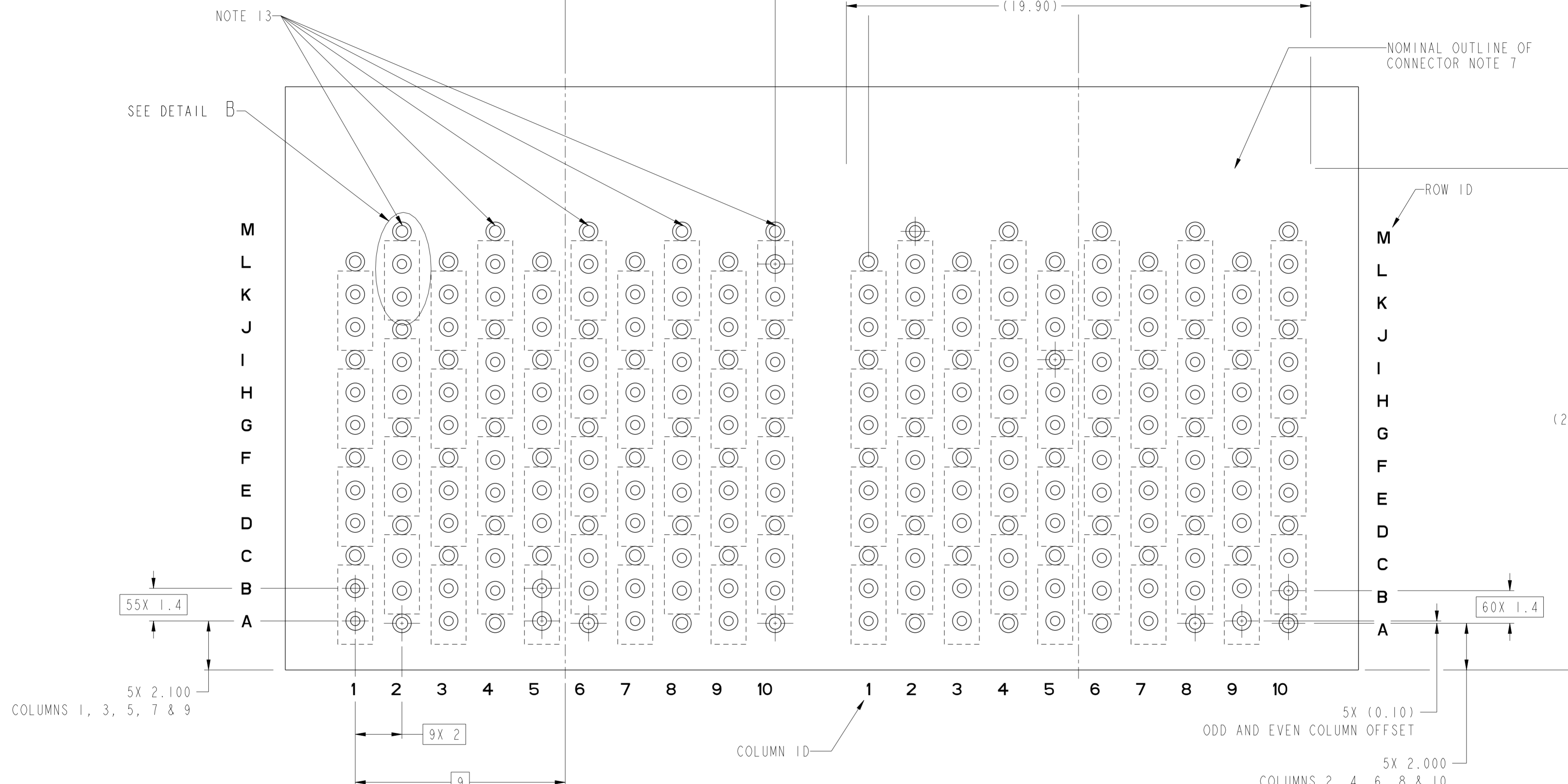


PRODUCT NUMBER
SEE SHEET 3



SECTION AA-AA

spec ref	---	dr	Lin-Soo Ngwe	2013/01/23	projection	MM	size	A2	scale	10:1
tolerance std	ASME Y14.5M	eng	Terry Luo	2020/09/08			ecn no	ELX-DG-38252-1		
TOLERANCES UNLESS OTHERWISE SPECIFIED		chr	-	2020/09/08			rel level	Released		
surface	linear	0.X	±.3	Amphenol FCI	product family	-	div no	10124150		
		0.XX	±.10	title	AirMax VS2 R.A. HEADER		cat. no.	Product - Customer Drw		
		0.XXX	±.050	appr	4 Pair, 120 pos, 2mm, 10Col, Small Press Fit, GXT+		rev	E		
	angular	0°	±2°	sheet 1 of 3						



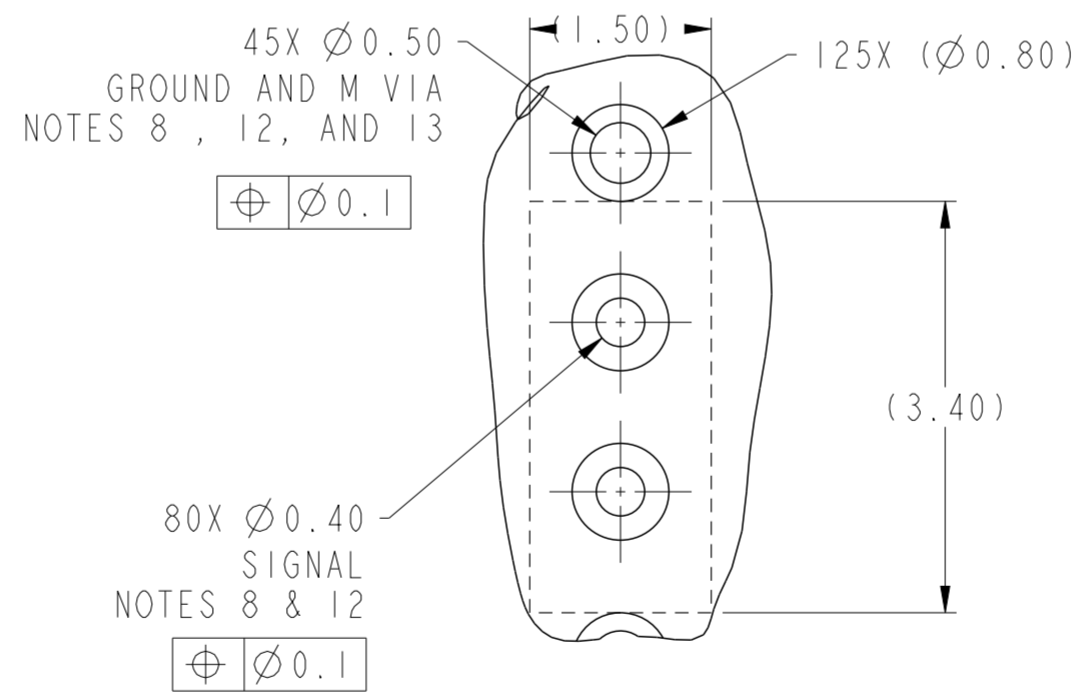
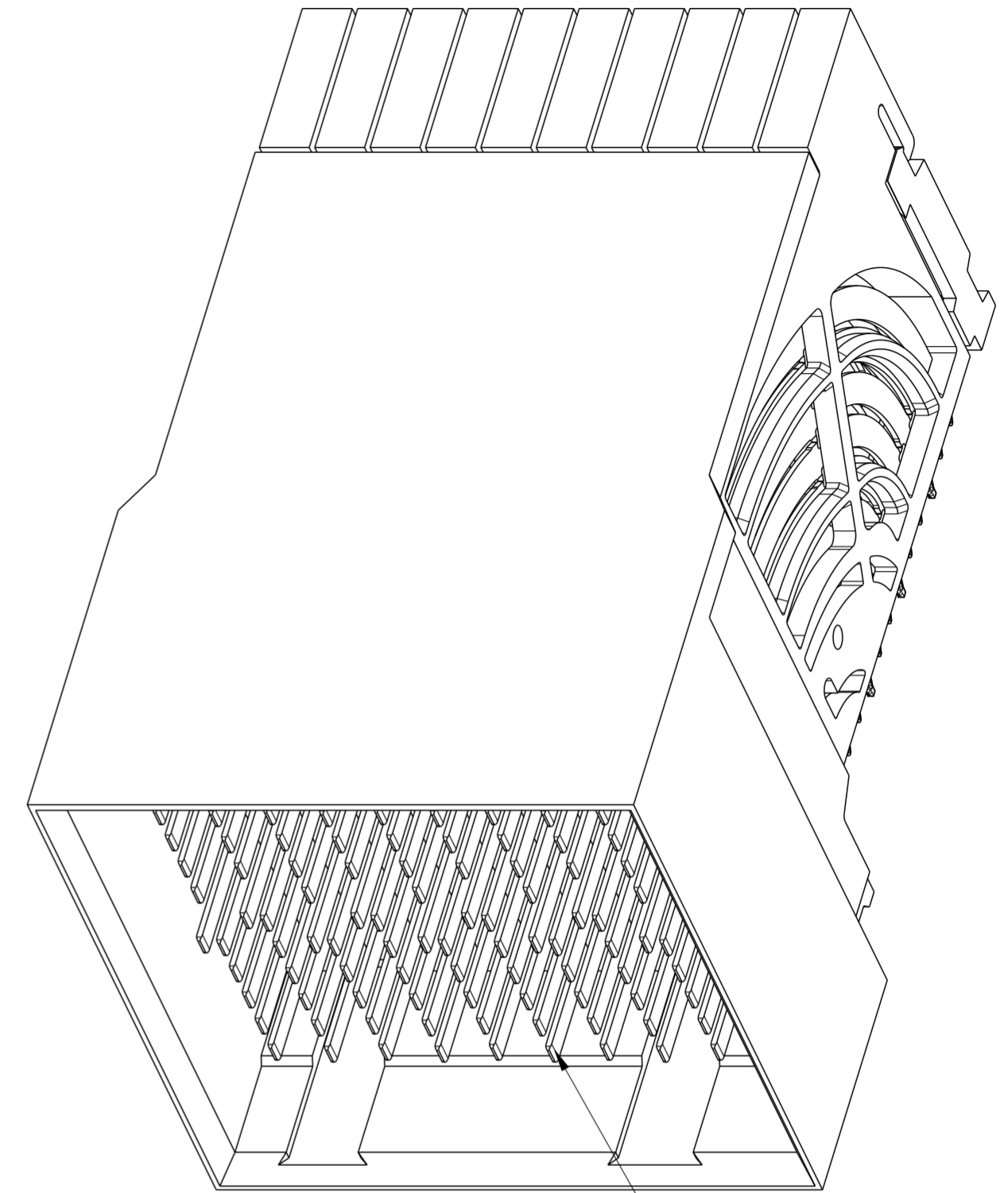
RECOMMENDED PCB LAYOUT
FOR DIFFERENTIAL APPLICATIONS
COMPONENT SIDE
(TWO ADJACENT FOOTPRINTS SHOWN)
NOTES 8 & 12

SCALE 8:1

spec ref	---	dr	Lin-Soo Ngwe	2013/01/23	projection	MM	size	A2	scale	8:1
tolerance std	ASME Y14.5M	eng	Terry Luo	2020/09/08			ecn no	ELX-DG-38252-1		
TOLERANCES UNLESS OTHERWISE SPECIFIED		chr					rel level	Released		
surface	-	appr	Heaven Cen 2020/09/17				product family			
	linear	0.X	±.3		title		AirMax VS2 R.A. HEADER		dwg no 10124150	rev E
		0.XX	±.10		4 Pair, 120 pos, 2mm, 10Col, Small Press Fit, GXT+		Product - Customer Drw			
		0.XXX	±.050		cat. no.			sheet 2 of 3		
	angular	0°	±2°	PDS: Rev :E		STATUS:Released		Printed: Sep 18, 2020		

PRODUCT NUMBER	PRESS-FIT TAIL PLATING TYPE	REMARK
10124150 -101	TIN/LEAD ALLOY OVER NICKEL	1-SIDE PLATING (CUSTOMER SPECIAL)
10124150-101LF	TIN OVER NICKEL (LEAD FREE)	
10124150-102	TIN/LEAD ALLOY OVER NICKEL	2-SIDES PLATING
10124150-102LF	TIN OVER NICKEL (LEAD FREE)	

- 1 - CONNECTOR MATERIALS:
HOUSING: HIGH TEMP THERMOPLASTIC, NATURAL UL94-V0
IMLA PLASTIC: HIGH TEMP THERMOPLASTIC, BLACK, UL94-V0
CONTACT: COPPER ALLOY
ORGANIZER: HIGH TEMP THERMOPLASTIC, NATURAL, UL94-V0
- 2 - CONTACT PLATING:
SEPARABLE INTERFACE:
GXT PLUS PLATING, QUALIFIED TO MEET THE REQUIREMENTS OF FCI PRODUCT SPECIFICATION GS-12-0956 INCLUDING TELCORDIA GR-1217-CORE (NOVEMBER 1995) CENTRAL OFFICE TEST SEQUENCE
- PRESS-FIT TAILS: SEE TABLE
- 3 - PRODUCT SPECIFICATION: GS-12-0956
- 4 - APPLICATION SPECIFICATION: GS-20-0305
- 5 - PRODUCT MARKING, (PROTOTYPE, PART NUMBER & LOT CODE), ON THIS SURFACE.
- 6 - POSITIONS "F" OF ODD NUMBERED COLUMNS AND POSITIONS "G" OF EVEN NUMBERED COLUMNS CORRESPOND TO EARLY MATE HEADER PINS.
- 7 - CONNECTOR OUTLINE MAY BE SCREEN PRINTED ONTO CUSTOMER PCB TO BE USED AS A GUIDE FOR CONNECTOR PLACEMENT.
- 8 - REFER TO CUSTOMER DRAWING 10104444 FOR INFORMATION ON PCB HOLE DIAMETERS AND PLATING OPTIONS
- 9 - LEAD FREE PRODUCT MEETS THE EUROPEAN UNION DIRECTIVES & OTHER COUNTRY REGULATIONS AS DESCRIBED IN GS-22-008
- 10 - A \triangle SYMBOL WILL BE NEXT TO ANY DIMENSION, VIEW OR NOTE, WHICH HAS BEEN MODIFIED WITH THE CURRENT DRAWING REVISION.
- 11 - PACKAGING MEETS GS-14-920 LEAD FREE LABELING SPECIFICATION.
- 12 - GROUND CONTACTS (C, F, I & L IN ODD COLUMNS AND A, D, G & J IN EVEN COLUMNS) REQUIRE ($\varnothing 0.50$) FINISHED HOLES. SIGNAL LOCATIONS REQUIRE ($\varnothing 0.40$) FINISHED HOLES
- 13 - THESE OUTER VIAS (M) ARE OPTIONAL. WHILE NO CONNECTOR PINS ARE PRESSED INTO THESE HOLES WE RECOMMEND ($\varnothing 0.500$) FINISHED HOLES AT THESE LOCATIONS TO PROVIDE GROUND SYMMETRY THROUGH THE PCB.



DETAIL B
SCALE 16:1

10124150-101 OR -101LF
10124150-102 OR -102LF

spec ref	---	dr	Lin-Soe Ngwe	2013/01/23	projection	MM	size	A2	scale	10:1
tolerance std	ASME Y14.5M	eng	Terry Luo	2020/09/08	chr	-	ecn no	ELX-DG-38252-1		
TOLERANCES UNLESS OTHERWISE SPECIFIED		appr	Heaven Cen	2020/09/17	product family	-	rel level	Released		
surface	linear	0.X	±.3	Amphenol FCI	title	AirMax VS2 R.A. HEADER	dwg no	10124150	rev	E
		0.XX	±.10			4 Pair, 120 pos, 2mm, 10Col, Small Press Fit, GXT+				
		0.XXX	±.050			cat. no.	-	Product - Customer Drw	sheet 3 of 3	
	angular	0°	±2°							