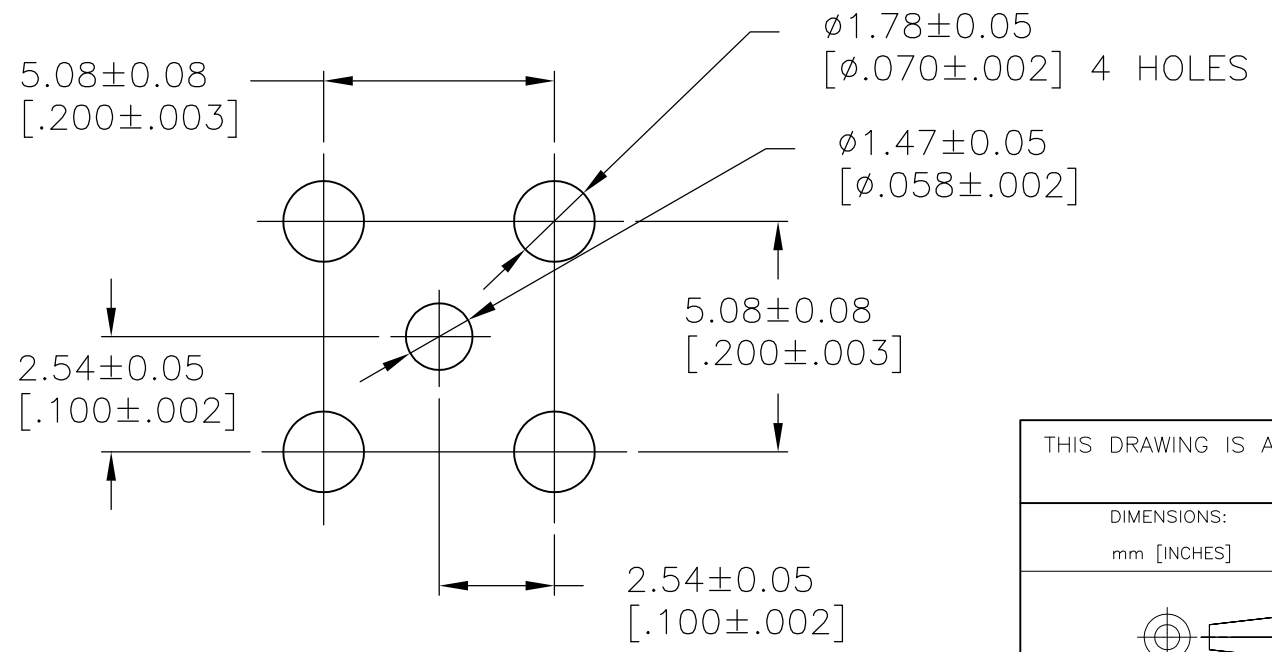
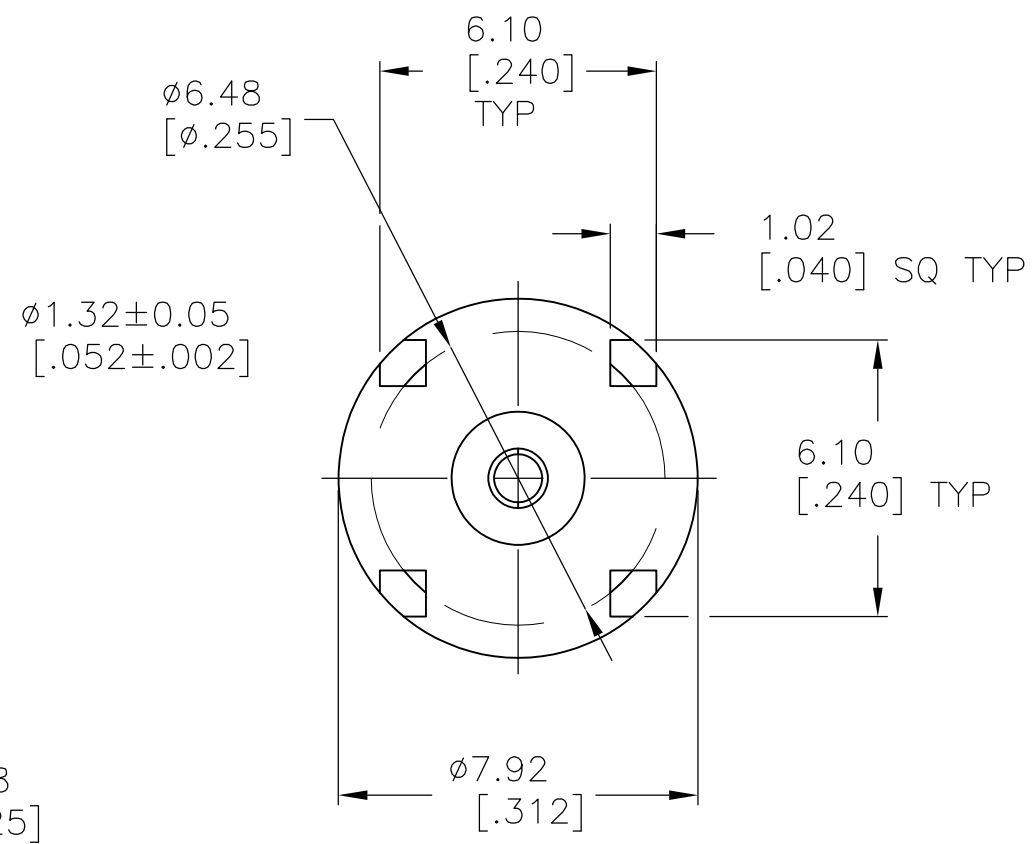
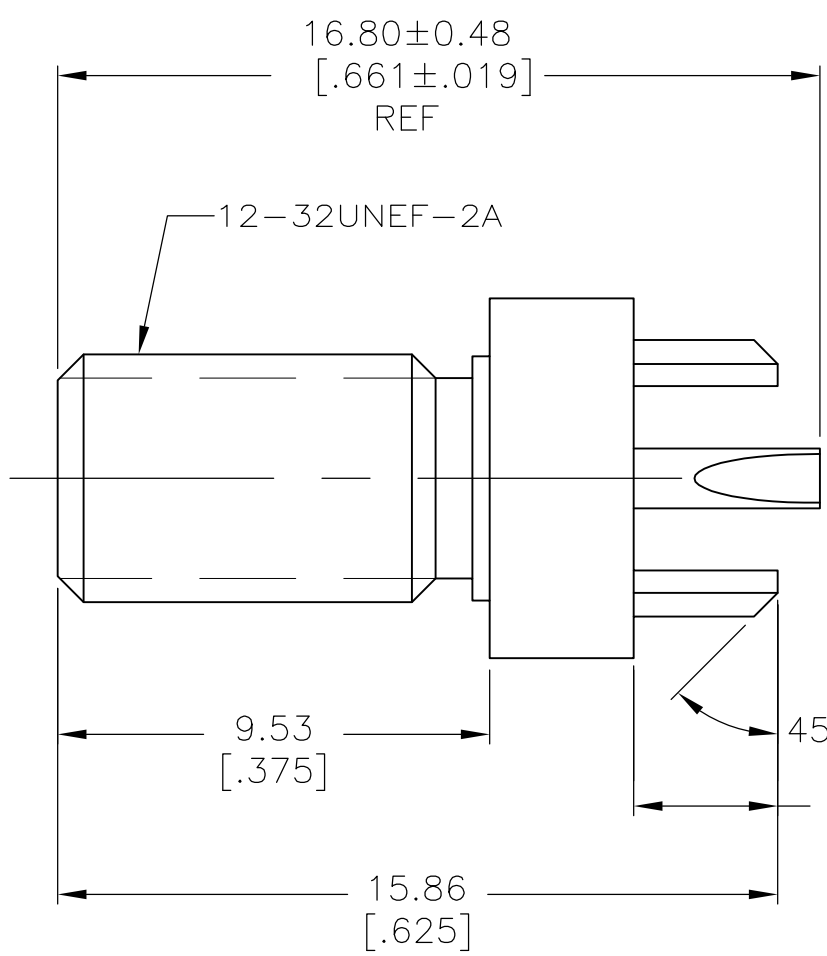


THIS DRAWING IS UNPUBLISHED. RELEASED FOR PUBLICATION
 © COPYRIGHT - BY TYCO ELECTRONICS CORPORATION. ALL RIGHTS RESERVED.

LOC	DIST	REVISIONS					
AJ	16	P	LTR	DESCRIPTION	DATE	DWN	APVD
			A	REVISED PER ECO-08-000706	16JAN08	HMR	FD



SUGGESTED PANEL CUTOUT

- 1 MATERIALS
 SHELL: STAINLESS STEEL PER ASTM-A-582
 CONTACT: BERYLLIUM COPPER PER QQ-C-530
 DIELECTRIC: PTFE PER MIL-P-19468A
- 2 FINISH:
 SHELL: GOLD PLATE PER MIL-G-45204
 CONTACT: GOLD PLATE PER MIL-G-45204

414086-1
 PART NUMBER

THIS DRAWING IS A CONTROLLED DOCUMENT.		DWN	J.L.GROFT	9-16-96	Tyco Electronics Corporation Harrisburg, PA 17105-3608		
DIMENSIONS: mm [INCHES]		CHK	S.BURKHOLDER	9-16-96			
TOLERANCES UNLESS OTHERWISE SPECIFIED:		APVD	S.BURKHOLDER	9-16-96	ADAPTER, PCB RECEPTACLE, MINIATURE		
0 PLC ± - 1 PLC ± - 2 PLC ± 0.13 [.005] 3 PLC ± - 4 PLC ± - ANGLES ± 5°		PRODUCT SPEC		SIZE			RESTRICTED TO
MATERIAL		APPLICATION SPEC		CAGE CODE			A3 00779
FINISH		WEIGHT		DRAWING NO			
-		-		CUSTOMER DRAWING			SCALE
				6:1			SHEET
				1 OF 1			REV
				A			