

LOC	DIST	REVISIONS			
P	LTR	DESCRIPTION	DATE	DWN	APVD
A1	-				
	A1	REVISED PER ECO-11-005150	28MAR11	RK	HMR

Siehe Produktgruppenzeichnung
929453

REFER TO PRODUCT GROUP DRAWING
FOR LATEST INFORMATION
ON THE PART
929453


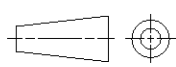
RELEASED FOR PUBLICATION

ALL RIGHTS RESERVED.

THIS DRAWING IS UNPUBLISHED.

BY -

© COPYRIGHT -

DIMENSIONS: mm	DWN S. Garcia	30SEP99	MATERIAL	-	FINISH	-	
	CHK R. Jetter	30SEP99	 TE Connectivity				
TOLERANCES UNLESS OTHERWISE SPECIFIED:	APVD	-					
0 PLC ±-	PRODUCT SPEC	-	NAME MQS Stiftkontakt MQS PIN CONTACT				
1 PLC ±-	APPLICATION SPEC	-					
2 PLC ±-	WEIGHT	-	SIZE	A 4	CAGE CODE	00779	
3 PLC ±-		CUSTOMER DRAWING	DRAWING NO	C=928918		RESTRICTED TO	-
4 PLC ±-			SCALE	%	SHEET		OF
ANGLES ±1°					REV	A1	