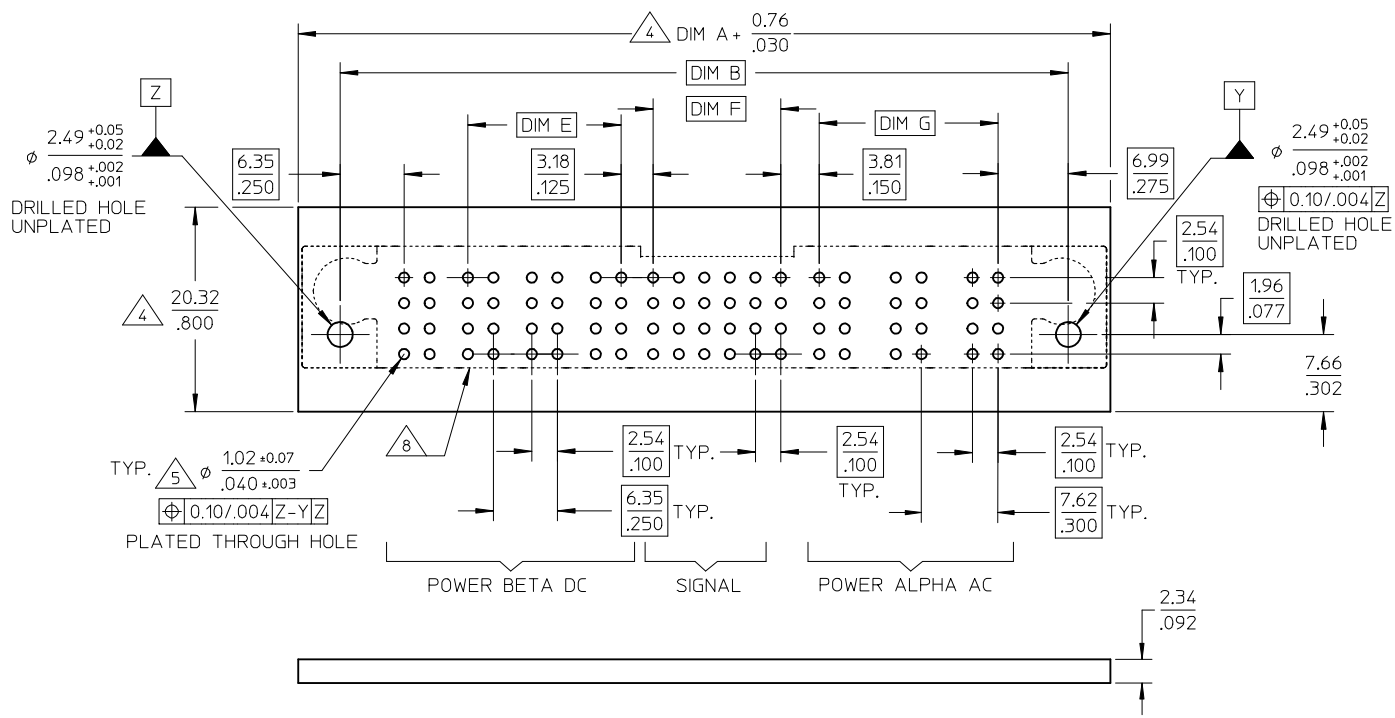


REVISED EC NO: S2014-0060 DRWN:SKANG 2013/07/18 CHKD:MLONG 2013/09/06 APPR:MLONG 2013/09/09 D5	QUALITY SYMBOLS $F_{\sigma} = 0$ $F_{\sigma} = 0$ $F_{\sigma} = 0$	GENERAL TOLERANCES (UNLESS SPECIFIED)		DIMENSION STYLE MM/IN		SCALE NTS	DESIGN UNITS METRIC	THIRD ANGLE PROJECTION	
			mm	INCH	DRAWN BY	DATE	TITLE		
		4 PLACES	± ---	± ---	KMGOH	2002/11/08	AC/DC POWER RECEPTACLE		
		3 PLACES	± ---	± .005	CHECKED BY	DATE	P(A)AC-S-P(B)DC CONFIG.		
						VERTICAL T/H, BOARD-LOCK			
						<b>molex</b>			
						DOCUMENT NO. SD-87734-001			
						SHEET NO. 1 OF 3			
						THIS DRAWING CONTAINS INFORMATION THAT IS PROPRIETARY TO MOLEX INCORPORATED AND SHOULD NOT BE USED WITHOUT WRITTEN PERMISSION			




CONNECTOR - NOTES

1. MATERIALS :
  - HOUSING - LCP, GLASS FILLED, UL 94V-0, COLOR: BLACK.
  - POWER PIN - COPPER ALLOY
2. PLATING :
  - POWER CONTACTS
  - 0.76 MICROMETER MINIMUM GOLD (Au) AT CONTACT AREA AND 2.54 MICROMETER MINIMUM TIN AT SOLDERTAIL AREA OVER 1.27um MIN, NICKEL (Ni) UNDERPLATE.
3. PRODUCT SPECIFICATION: PS-87663-006.
4. COMPONENT STAY AWAY ZONE FROM CONNECTOR.
5. PCB NOTE FOR DIAMETER 1.02/.040 PLATED HOLE.
  - DRILLED HOLE SIZE IS 1.151/.0453
  - PLATE WITH 0.007/.0003 MINIMUM TIN OVER 0.03/.001 TO 0.08/.003 COPPER PLATING TO ACHIEVE 1.02±0.08/.040±.003 HOLE.
- SEE SHEET 2 FOR RECOMMENDED PCB LAYOUT.
6. 4P(B)-24S-3P(A) CONFIGURATION IS SHOWN FOR ILLUSTRATION ONLY.
7. MANUFACTURER LOGO, PART NUMBER AND YEAR-WEEK CODE.
8. IMAGINARY LINE & DIMENSION TO POSITION AND PROVIDE CONNECTOR ORIENTATION W.R.T. TO PCB LAYOUT.

RECOMMENDED PCB LAYOUT

REVISED EC NO: S2014-0060 DRWN:SKANG 2013/07/18 CH'KD:MLONG 2013/09/06 APPR:MLONG 2013/09/09 REV D5	DESCRIPTION QUALITY SYMBOLS $F_{\Delta} = 0$ $F_{\nabla} = 0$ $F_{\square} = 0$	GENERAL TOLERANCES (UNLESS SPECIFIED)		DIMENSION STYLE MM/IN		SCALE NTS	DESIGN UNITS METRIC	THIRD ANGLE PROJECTION			
		4 PLACES ± --- ± ---	mm INCH	DRAWN BY KMG0H	DATE 2002/11/08	TITLE AC/DC POWER RECEPTACLE P(A)AC-S-P(B)DC CONFIG. VERTICAL T/H, BOARD-LOCK					
		3 PLACES ± --- ± .005		CHECKED BY PTLIM	DATE 2002/11/12	molex					
		2 PLACES ± 0.13 ± .010		APPROVED BY SKTOH	DATE 2002/11/13						
1 PLACE ± 0.25 ± ---		MATERIAL NO.		DOCUMENT NO.		SHEET NO.					
0 PLACE ± ±		ANGULAR ± 3 °		SEE TABLE		SD-87734-001		2 OF 3			
DRAFT WHERE APPLICABLE MUST REMAIN WITHIN DIMENSIONS		SIZE A 3		THIS DRAWING CONTAINS INFORMATION THAT IS PROPRIETARY TO MOLEX INCORPORATED AND SHOULD NOT BE USED WITHOUT WRITTEN PERMISSION							

PART NUMBER	P-S-P CONFIGURATION			RECESSED POWER CIRCUIT #	VOID SIGNAL PIN#	DIM A	DIM B	DIM C	DIM D	DIM E	DIM F	DIM G	DIM H STANDARD	DIM J RECESSED	BOARDLOCK OPTION	PACKAGING
	POWER BETA DC	SIGNAL	POWER ALPHA AC													
87734-3002	4	24	3	A1,A3,B1,B2	NIL	80.01 3.150	72.39 2.850	71.12 2.800	56.52 2.225	21.59 .850	12.70 .500	17.78 .700	1.12 .044	2.39 .094	YES	TRAY
87734-3003	5	24	3	ALL EXCEPT A1	NIL	86.36 3.400	78.74 3.100	77.47 3.05	62.87 2.475	27.94 1.100	12.70 .500	17.78 .700	1.12 .044	2.39 .094	NO	TRAY
87734-3004	4	16	4	ALL EXCEPT A1 & A2	NIL	82.55 3.250	74.93 2.950	73.66 2.900	59.06 2.325	21.59 .850	7.62 .300	25.40 1.000	1.12 .044	2.39 .094	YES	TRAY
87734-3005	5	24	3	A1,B3,B4,B5	NIL	86.36 3.400	78.74 3.100	77.47 3.05	62.87 2.475	27.94 1.100	12.70 .500	17.78 .700	1.12 .044	2.39 .094	NO	TRAY
87734-3006	6	16	4	NIL	NIL	95.25 3.750	87.63 3.450	86.36 3.400	71.76 2.825	34.29 1.350	7.62 .300	25.40 1.000	1.12 .044	2.39 .094	YES	TRAY
87734-3007	5	24	3	A2,A3,B1,B2	A1,B1,C1,D1, A2,B2,C2,D2, A3,B3,C3,D3	86.36 3.400	78.74 3.100	77.47 3.05	62.87 2.475	27.94 1.100	12.70 .500	17.78 .700	1.12 .044	2.39 .094	NO	TRAY

<b>REVISED</b> IEC NO: S2014-0060 DRWN:SKANG 2013/07/18 CHK:D:MLONG 2013/09/06 APPR:MLONG 2013/09/09	QUALITY SYMBOLS	GENERAL TOLERANCES (UNLESS SPECIFIED)	DIMENSION STYLE	SCALE	DESIGN UNITS	THIRD ANGLE PROJECTION
	$\nabla_F=0$	mm INCH	MM/IN	NTS	METRIC	
	$\nabla_F=0$	4 PLACES ± --- ± ---	DRAWN BY DATE			<b>AC/DC POWER RECEPTACLE          P(A)AC-S-P(B)DC CONFIG.          VERTICAL T/H, BOARD-LOCK</b>   <b>SD-87734-001</b>
	$\nabla_F=0$	3 PLACES ± --- ± .005	CHECKED BY DATE			
		2 PLACES ± 0.13 ± .010	APPROVED BY DATE			
	1 PLACE ± 0.25 ± ---	MATERIAL NO.	DOCUMENT NO.			
	0 PLACE ± ±	SEE TABLE				
	ANGULAR ± 3 °	DRAFT WHERE APPLICABLE MUST REMAIN WITHIN DIMENSIONS	THIS DRAWING CONTAINS INFORMATION THAT IS PROPRIETARY TO MOLEX INCORPORATED AND SHOULD NOT BE USED WITHOUT WRITTEN PERMISSION		SHEET NO.	
D5			SIZE A3		3 OF 3	