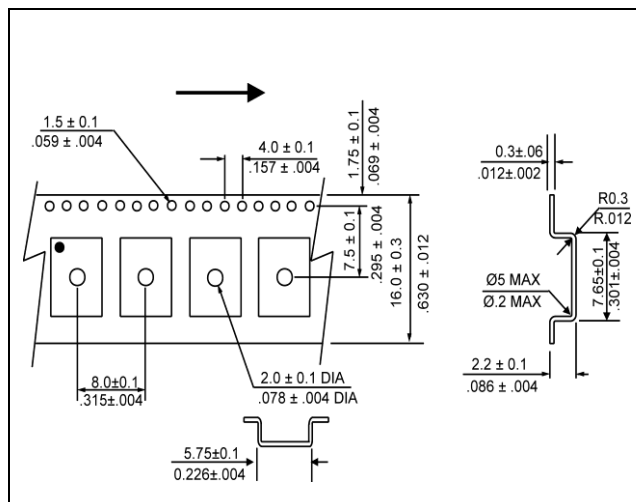
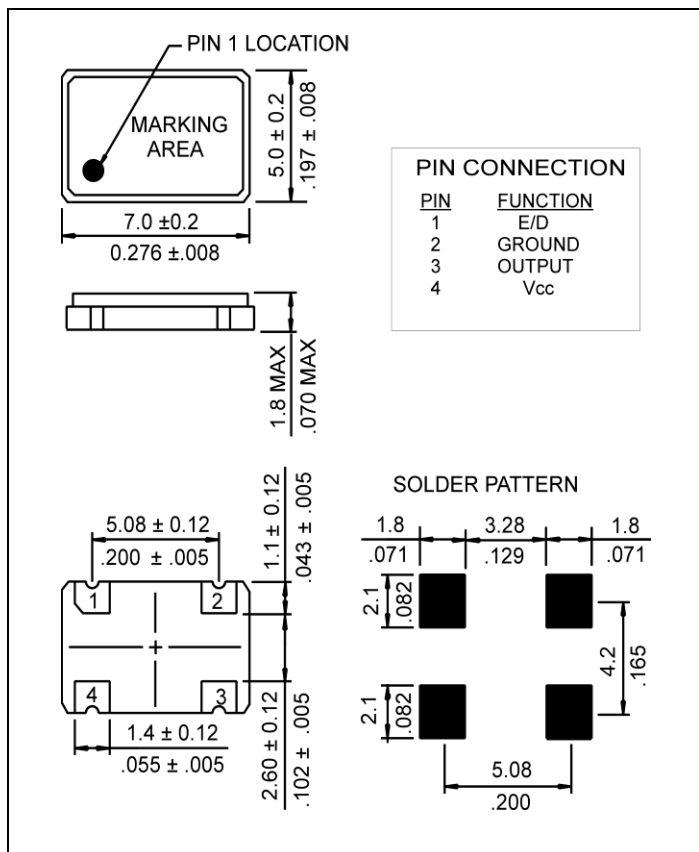


ELECTRICAL SPECIFICATION

| PARAMETER | SYMBOL | CONDITIONS | VALUE | UNIT |
|------------------------------|------------------------------------|--|--------------------|------------|
| Frequency, nom | fo | --- | 24.000 | MHz |
| Supply Voltage, nom | Vcc | Vcc ±10% | 3.3 | V |
| Supply Current, max | Is | Vcc=3.3 VDC; Ta=+25°C; Load=15 pF CMOS or 5 TTL max | 15 | ↔ mA |
| Output Voltage Levels | V _{OH} V _{OL} | Logic 1 Logic 0 | 2.8 min 0.4 max | VDC VDC |
| Duty Cycle | DC | @ 50% of signal | 40 ~ 60 | % |
| Rise Time / Fall Time, max | tr / tf | 20%~80% Vout, 80%~20% Vout, | 4 | ns |
| Start-up Time, max | - | - | 4 | ↔ ms |
| Jitter, RMS, max | J | 1σ, 12KHz < F _J < 20MHz | 1 | ps |
| Overall Freq. Stability, max | Δf/fc | Inclusive of 25° Tolerance, Operating Temperature Range, Voltage & Load Variations, Shock and Vibration. | ±20 | ppm |
| Output Enabled / Disabled | En Dis | Pin 1: High Voltage or No Connect, Pin 3 Enabled Pin 1: Ground, Pin 3 Disabled | 2.2 min 0.8 max | VDC VDC |
| Operating Temperature Range | Ta | --- | -40 ~ +85 | °C |
| Storage Temperature Range | T(stg) | --- | -55 ~ +125 | °C |

MECHANICAL SPECIFICATION



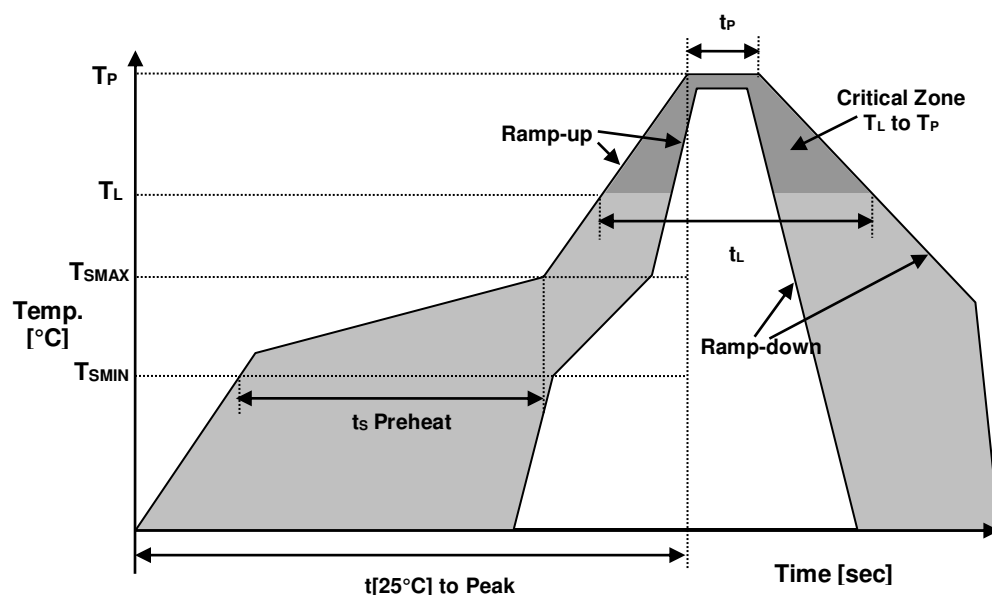
PACKAGING

254 mm REEL DIAMETER
16 mm TAPE WIDTH, 8 mm PITCH
QUANTITY: 1000 PIECES PER REEL

IN ACCORDANCE WITH EIA-481

OUTLINE TOLERANCE: ±0.015" / 0.4mm (Unless otherwise specified)

● REFLOW PROFILE



| Reflow profile | | |
|--|-------------------------------|--------------|
| Temperature Min Preheat | T_{SMIN} | 150°C |
| Temperature Max Preheat | T_{SMAX} | 200°C |
| Time (T_{SMIN} to T_{SMAX}) | t_s | 60-180 sec. |
| Temperature | T_L | 217°C |
| Peak Temperature | T_P | 260°C |
| Ramp-up rate | R_{UP} | 3°C/sec max. |
| Ramp-down rate | R_{DOWN} | 6°C/sec max. |
| Time within 5°C of Peak Temperature | t_p | 10 sec. |
| Time $t[25^\circ\text{C}]$ to Peak Temperature | $t[25^\circ\text{C}]$ to Peak | 480 sec. |
| Time | t_L | 60-150 sec. |

● ENVIRONMENTAL

| PARAMETER | VALUE |
|----------------------------|-----------|
| MOISTURE SENSITIVITY LEVEL | 1 |
| RoHS | Compliant |
| REACH-SVHC | Compliant |
| HALOGEN-FREE | Compliant |
| TERMINATION FINISH | Au |
| UNIT WEIGHT (grams) | 0.155 |





A RAMI TECHNOLOGY Company

MARKING

Rxx24.0
•3Dyww

x - Internal Production ID code
y - Year code
w - Week code

YEAR CODE table with columns Year and Code, mapping years 2015-2025 to codes 5-0.

ALPHA WEEK CODE TABLE with columns Week and Code, mapping weeks 1-18 to letters a-r.

APPROVAL

Approval table with rows: DRAWN BY: XLiu, July 24, 2019; APPROVED BY: JIvens, July 24, 2019; REVISION: A, Initial Release

Raltron Electronics / RAMI Technology USA, LLC, including its affiliates, employees, agents and other persons acting on its behalf (collectively Raltron/RAMI Tech), disclaim any and all liability for any errors or inaccuracies contained in this data sheet.

Copyright © 2016, Raltron Electronics / RAMI Technology USA, LLC. All rights reserved. No part of this document may be reproduced in any form without the prior written permission of Raltron Electronics / RAMI Technology USA, LLC.