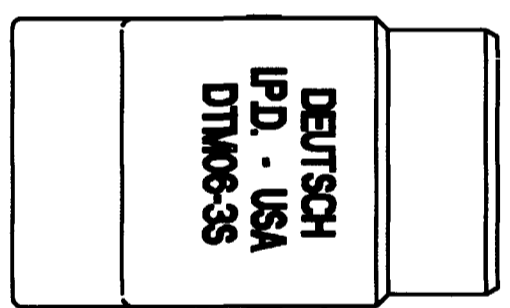
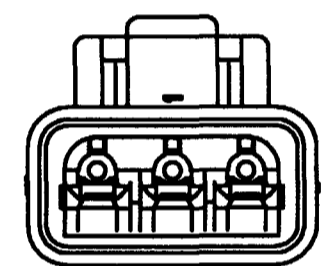
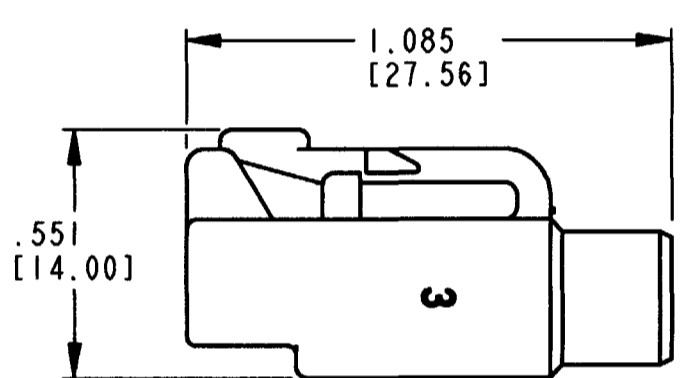
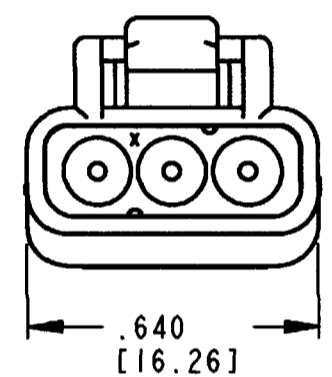
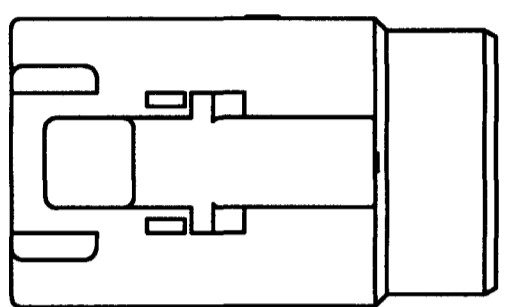
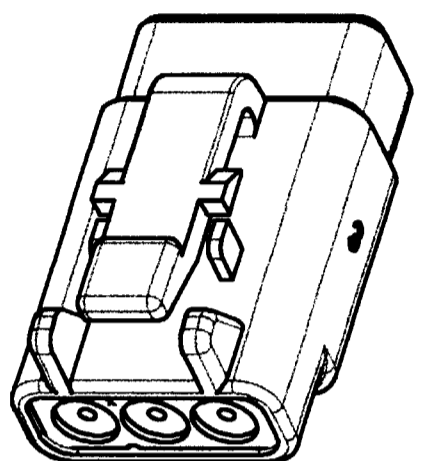


REV  
A  
DTM06-3S

REVISIONS			
SYM	DESCRIPTION	DATE	APPROVED
NC	NEW RELEASE PER E.O. A14874	7-21-95	RDR
A	REDRAWN & REVISED PER E.O. P17172	3-6-01	RDR



PLUG HOUSING

CONTACT SIZE	MIN. INSUL. O.D.	MAX. INSUL. O.D.	WIRE RANGE [mm <sup>2</sup> ] REF ONLY
20	.053 [1.35]	.120 [3.05]	16-20 AWG [1.0-0.5]

- 6. MATERIAL - HOUSING: PLASTIC; GROMMET: RUBBER.
- 5. THIS PLUG MATES WITH DTM04-3P-\*\*\*\* RECEPTACLE. (\*\*\*\* = ALL MODIFICATIONS)
- 4. FOR CONTACT AND WIRE PERFORMANCE AND APPLICATION CHARACTERISTICS SEE ENVELOPE DRAWING 0425-015-0000.
- 3. SECONDARY WEDGE LOCK SOLD SEPARATELY: WM-3S.
- 2. DIMENSION TOLERANCE: ±.025 [ .64].
- 1. DIMENSIONS ARE IN INCHES [mm].

NOTES: UNLESS OTHERWISE SPECIFIED

SIGNATURE & DATE	
DR	J. APOSTOL 05MAR2001
CHK	L. P. [Signature] 3/6/01
PE	D. [Signature] 3/6/01
APPD	R. [Signature] 3-6-01
SCALE	NONE WT

PLUG  
3 SKT. CONT. #20  
DTM SERIES

ENVELOPE

CP	MATL. CODE
<b>The Deutsch Company</b> DEUTSCH I.P.D. 3850 INDUSTRIAL AVE. HEMET, CALIF. 92545	
<b>B</b>	<b>DTM06-3S</b>
DWG SIZE	CODE 11139 SHEET   OF