

PART NAME: KNOB SCALE: 1:1 DATE: 2/12/65 DR. BY LS

THIS DRAWING IS THE PROPERTY OF DAVIES MOLDING COMPANY, IS SUBMITTED SOLELY AS A DESIGN OR ENGINEERING PROJECT. WE ACCEPT NO RESPONSIBILITY WHATSOEVER FOR THE PRACTICAL APPLICATION OF THE PIECES MADE TO THIS DESIGN.



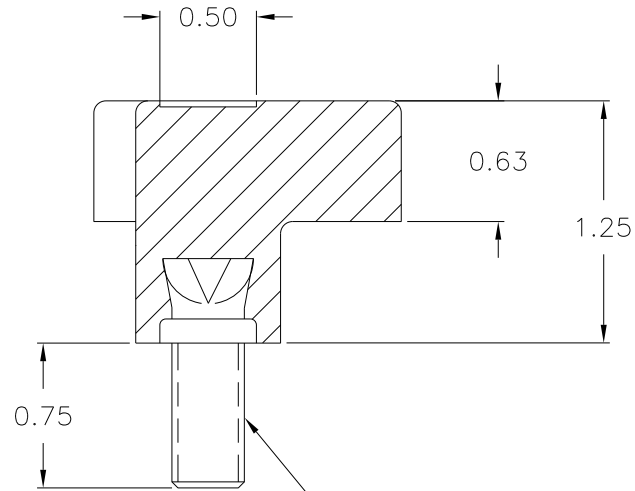
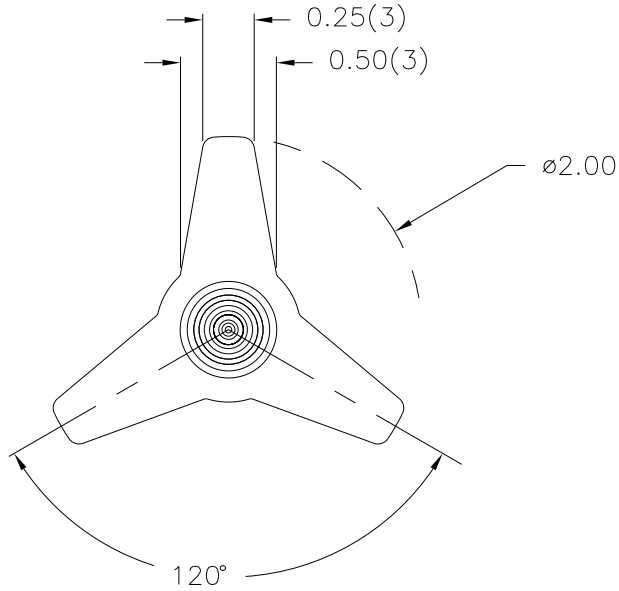
DESIGNERS & MANUFACTURERS OF KNOBS, HANDLES, CASES & CUSTOM PLASTIC COMPONENTS

P/N 3040-C

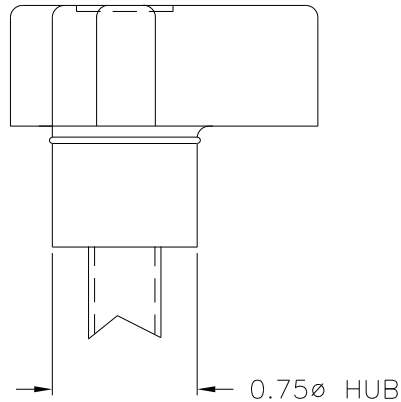
M NO. 3040

PINS	3040-A
SHIMS	NONE
PLUNGER PIN	3040-B
INSERT	10287

(A)  
(B) (C)



3/8-16 UNC-2A THREAD  
10287, STEEL, ZINC PLTD.



MATERIAL: #4311 PLENCO PHENOLIC (B41)  
COLOR: BLACK

TOLERANCES: UNLESS OTHERWISE SPECIFIED	DO NOT SCALE DRAWING	-	CAD/REDRAWN	HD	1/11/94
		C	WAS 3000-F PINS	NH	11/11/68
DECIMALS: X.XXX ± .005 X.XX ± .015	MM: X.XX ± 0.15MM X.X ± 0.4MM	B	ADDED	MS	12/13/66
		A	ADDED	MS	3/11/65
FRACTIONS ± 1/64	ANG. ± 1°	CHANGES			