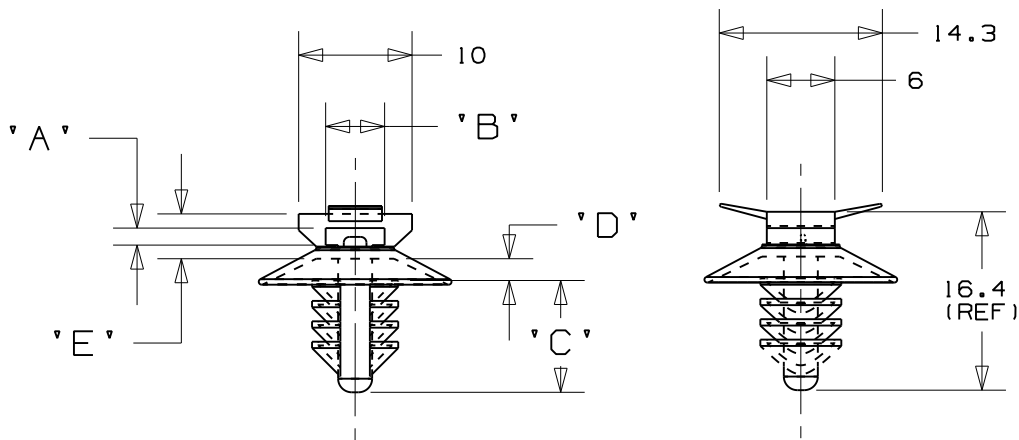


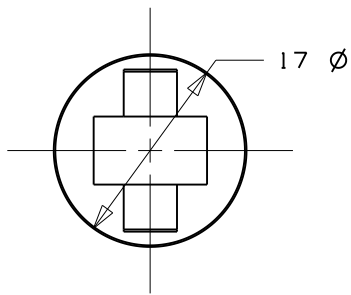
THIS COPY IS PROVIDED ON A RESTRICTED BASIS AND IS NOT TO BE USED IN ANY WAY DETRIMENTAL TO THE INTERESTS OF PANDUIT CORPORATION.

PANDUIT PART NO.	BUNDLE DIA. MIN - MAX.	DIMENSIONS					MATERIAL	COLOR	CABLE TIE TYPES	WEIGHT grams 100 pcs
		'A'	'B'	'C'	'D'	'E'				
PUMS-H25-...20	0 - 30	1.5	5.2	9.8	2.0	4.6	NYLON 6/6	BLACK	M , I , S	67.8



NOTES:

1. SEE CURRENT PRICE SHEET FOR PART NUMBER SUFFIX DESIGNATION FOR PACKAGE SIZE, AND COLOR.
2. (\*) DIMENSIONAL VARIANCE IS POSSIBLE DUE TO MOLDING PROCESS RELATED SINK MARKS.
3. APPLICATION SPECIFICATION:  
 HOLE DIAMETER: 6.3 - 7.1 mm  
 PANEL THICKNESS: 0.3 - 6.5 mm



SCALE: FULL

CAD FILENAME/LAYERS		G01932BS_PB_PUMSH25_03	
<b>PANDUIT</b> CORP.		TINLEY PARK, ILLINOIS	
PUSH MOUNT WITH UMBRELLA			
Unless otherwise specified, all dimensions are metric tolerance; ±0.5mm			
DRAWN BY	JAD	MAT'L:	SCALE NONE
DATE	7/25/01	SEE TABLE	
CHK'D		DRAWING NO.	DWG SIZE
		GB1932BS	A

REV	DATE	BY	CHK	DESCRIPTION	ECN	R	CUST	SUP
3	8/11/04	JAD		REV NOTE 3, WAS 6.3-6.8, 0.5-6.5mm	GB1932BS	3		