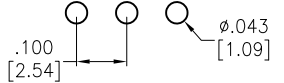
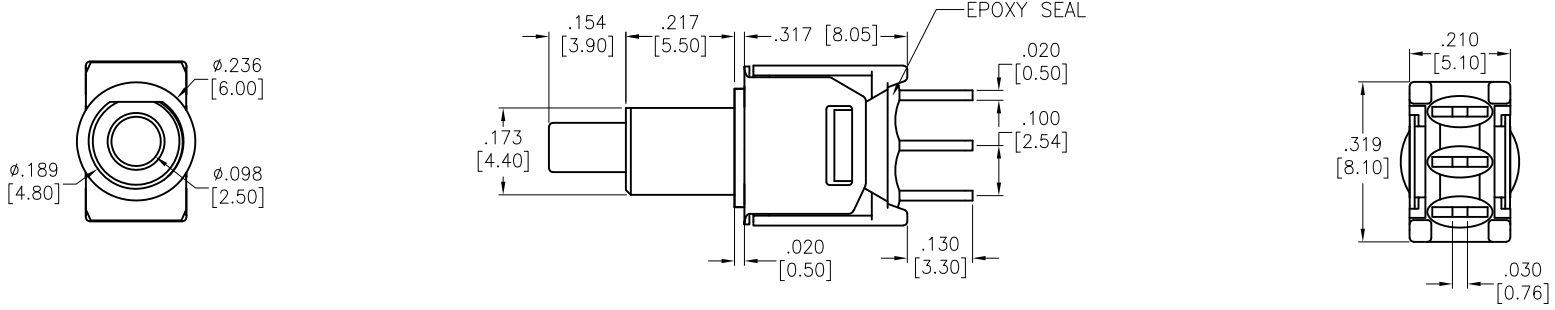
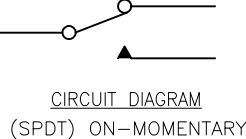


Rev	AWO #	Description	Date	Appr
-		RELEASED	3/5/21	

APPROVED: _____
 DATE: _____ TITLE: _____



RECOMMENDED PCB LAYOUT



CIRCUIT DIAGRAM
 (SPDT) ON-MOMENTARY

SPECIFICATIONS:
 Material:
 Movable Contact: Copper Alloy, Silver Plated
 Terminal: Copper Alloy, Silver Plated
 Electrical:
 Rating: 1 Amps with resistive load @ 125VAC or 28VDC
 Contact resistance: 20 mΩ max
 Insulation resistance: 1,000 Mohms min
 Dielectric withstanding voltage: 1,500V RMS @Sea level
 Temperature Rating:
 Operating temperature: -30°C to +85°C
 Environmental:
 Lead free, RoHS compliant



UNLESS OTHERWISE SPECIFIED ALL DIMENSIONS ARE INCHES [MM] TOLERANCES: EXCEPT AS NOTED			
INCHES		HOLES	
.X	± .10	Ø.X	± .10
.XX	± .020	Ø.XX	± .015
.XXX	± .015	Ø.XXX	± .010
APPROVALS		DATE	
DRAWN	WX	3/5/21	
CHECKED	AC	3/5/21	
APPROVED			

ADAM TECH 909 Rahway Avenue,
 Union, NJ 07083
 Phone: 908-687-5000
 Fax: 908-687-5710

TITLE: SUB-MINIATURE PUSHBUTTON SWITCH,
 ON-MOMENTARY, SPDT, SILVER PLATED, PCB TYPE

SIZE	PART NO.	REV.
X	SW-PB9-AB00BQE-5	-

REF: S00198T SCALE: NTS SHEET 1 OF 1