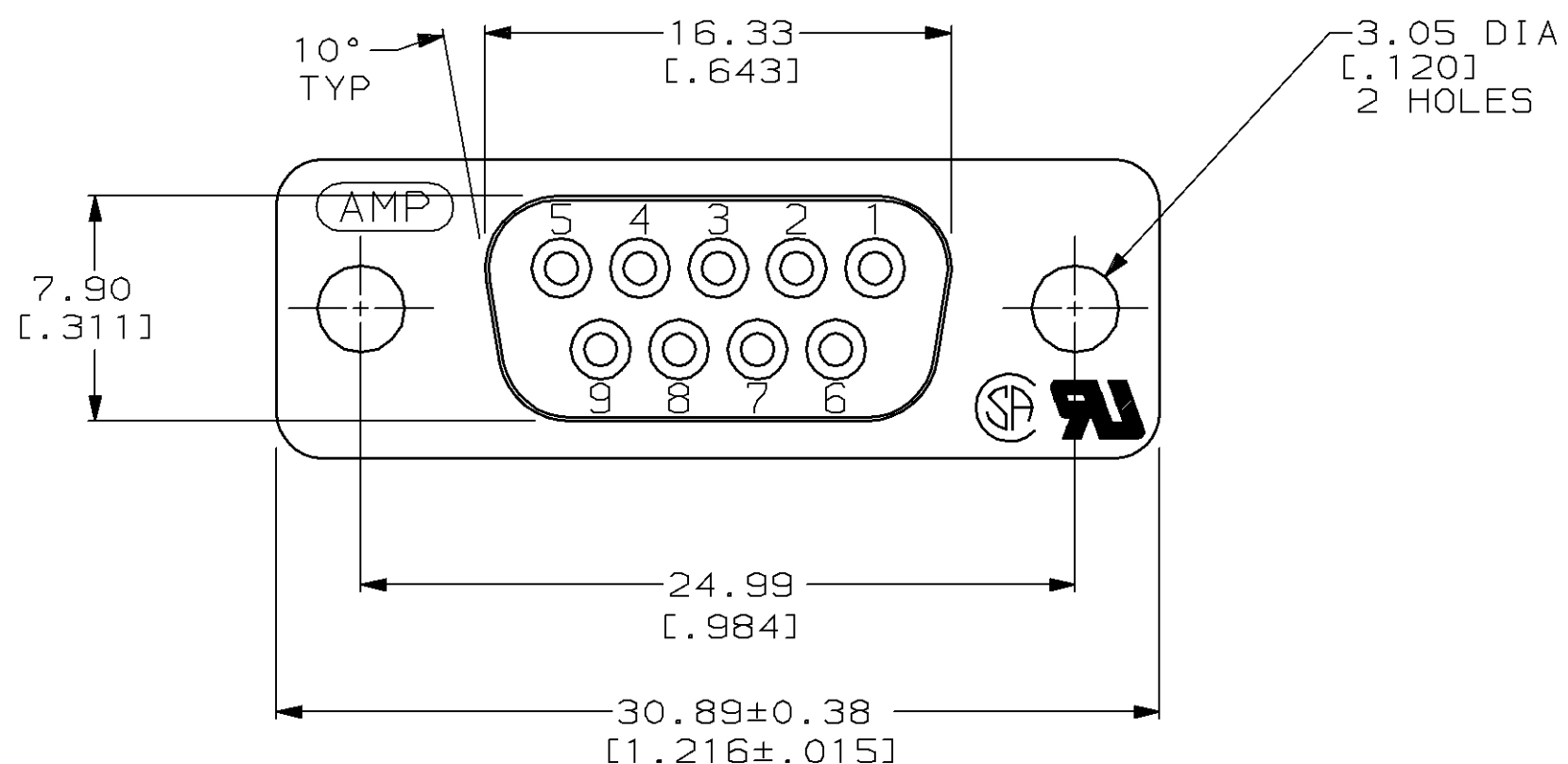
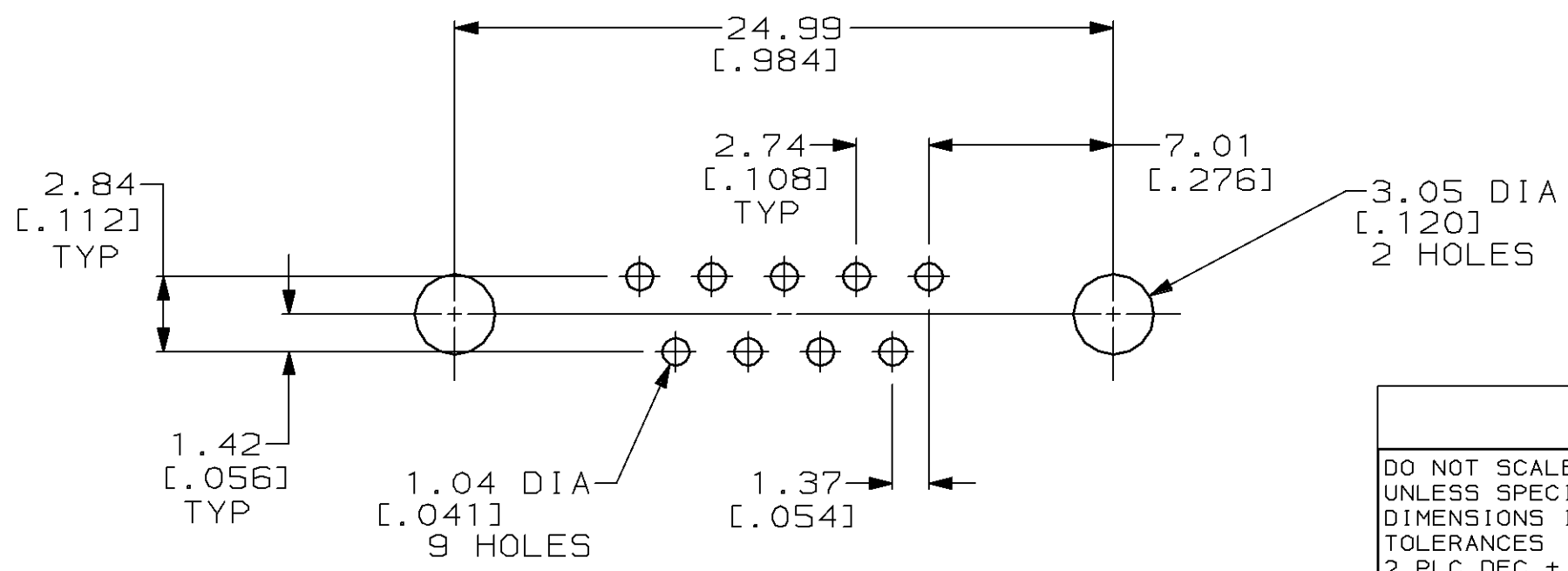
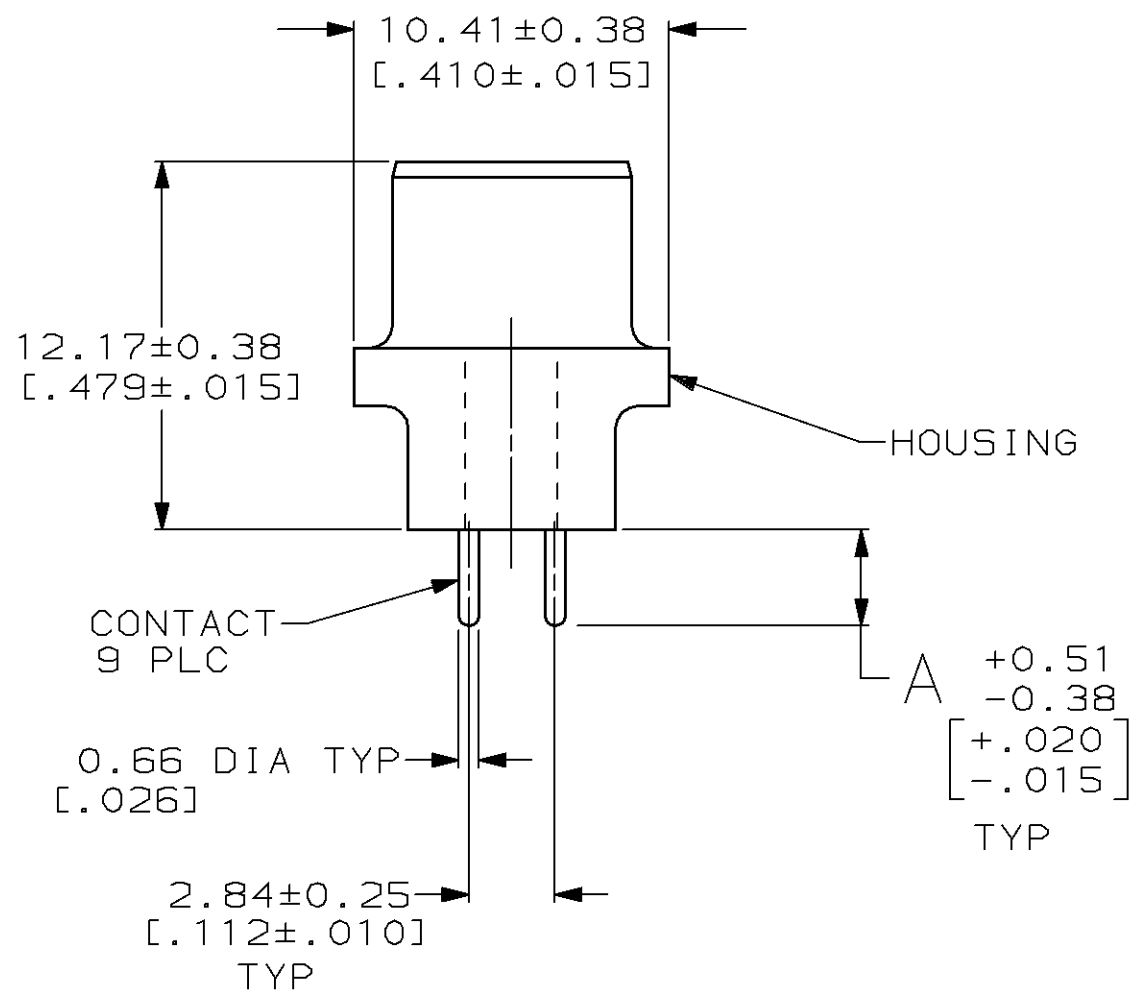
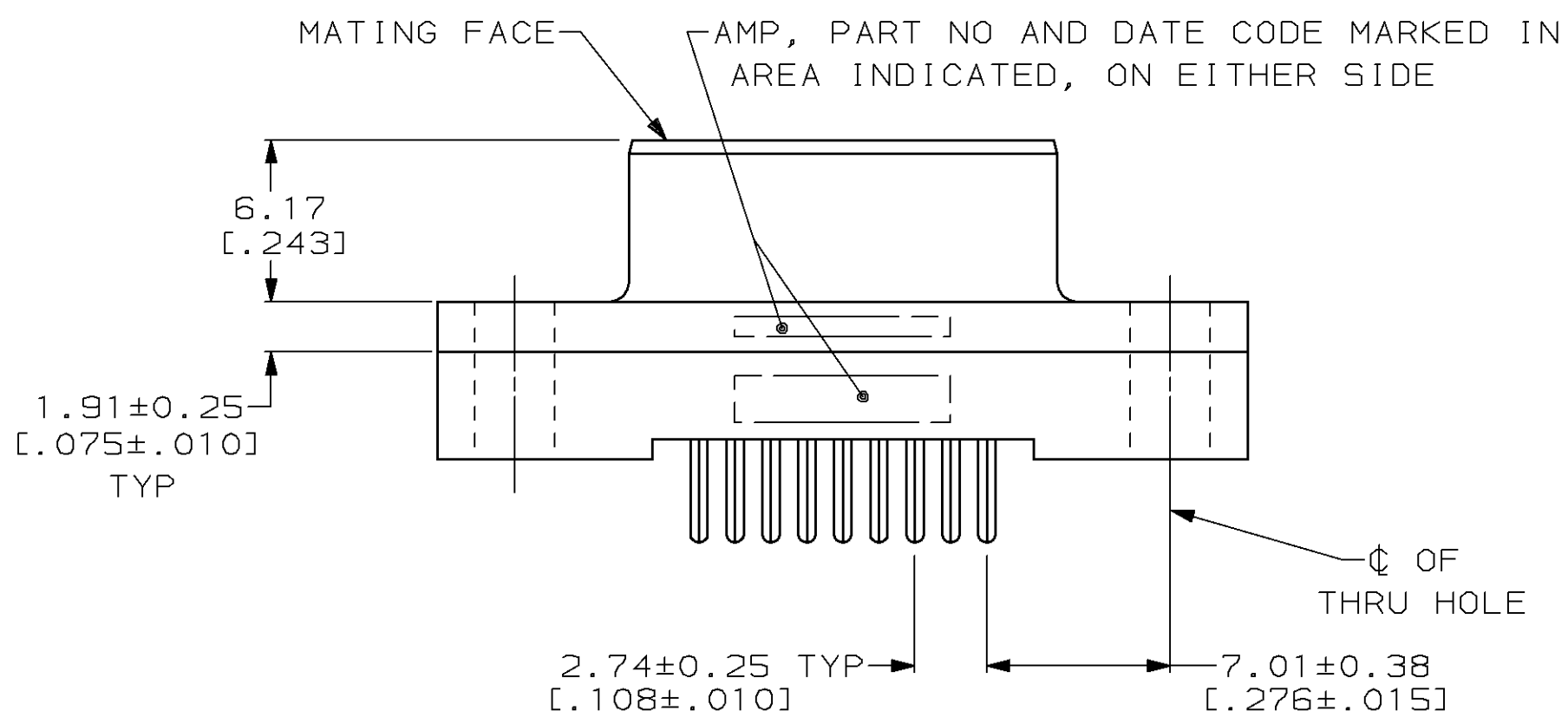


LOC	DIST	P	F	REVISIONS			
				ZONE	LTR	DATE	APPD
BD	77			D	REDRAWN & REVISED, ECN BD3361	11-89	SS
				E	OBS 207826-7, -8 BD6038	06/10/92	CR
				F	OBS -5, -6 PER EC 0020-964-93	04/05/94	CR



- ① HOUSING: BLACK POLYESTER, UL 94V-0 RATED; CONTACTS: PHOSPHOR BRONZE PER QQ-B-750.
- ② GOLD PLATING PER MIL-G-45204, TIN PLATING PER MIL-T-10727, NICKEL PLATING PER QQ-N-290.
- ③ GOLD FLASH FOR A LENGTH OF 2.54[.100] MIN FROM MATING END, 2.54μm[.000100] MIN TIN OR TIN-LEAD FOR A LENGTH OF DIMENSION A FROM OPPOSITE END, ALL OVER 1.27μm[.000050] MIN NICKEL.
- ④ 0.76μm[.000030] MIN GOLD FOR A LENGTH OF 2.54[.100] MIN FROM MATING END, 2.54μm[.000100] MIN TIN OR TIN-LEAD FOR A LENGTH OF DIMENSION A FROM OPPOSITE END, ALL OVER 1.27μm[.000050] MIN NICKEL.



CONTACT FINISH	SIZE	CAGE CODE	DRAWING NO
④	6.35 [.250]		207826-8
③	6.35 [.250]		207826-7
④	4.32 [.170]		207826-6
③	4.32 [.170]		207826-5
④	3.18 [.125]		207826-4
③	3.18 [.125]		207826-3

RECOMMENDED PC BOARD MOUNTING DIMENSIONS

DO NOT SCALE PRINT. UNLESS SPECIFIED DIMENSIONS IN mm [INCHES] TOLERANCES ON : 2 PLC DEC ± 0.13 [.005] 3 PLC DEC ± - ANGLES ± 2°	DR 11-16-89 J McCLINTON CHK 2-1-90 R.STONE APPD 2-2-90 S.SCHIEFFERLY APPD 2-2-90 C.ROHDE PRODUCT SPEC 108-40025	NAME RECEPTACLE ASSEMBLY, SIZE 1, 9 POSN, VERTICAL, AMPLIMITE® HD-20
FINISH ② CONTACT: SEE TABLE	APPLICATION SPEC -	SIZE C 00779
	WEIGHT -	CAGE CODE 00779
		DRAWING NO 207826
		SCALE 4:1
		SHEET 1 OF 1