

TINA2-O-WAS

Asymmetric beam for wall-washing. Assembly with black holder, installation tape and location pins.

SPECIFICATION:

Dimensions	Ø 16.0 mm
Height	9.5 mm
Fastening	tape, pin
ROHS compliant	yes ⓘ

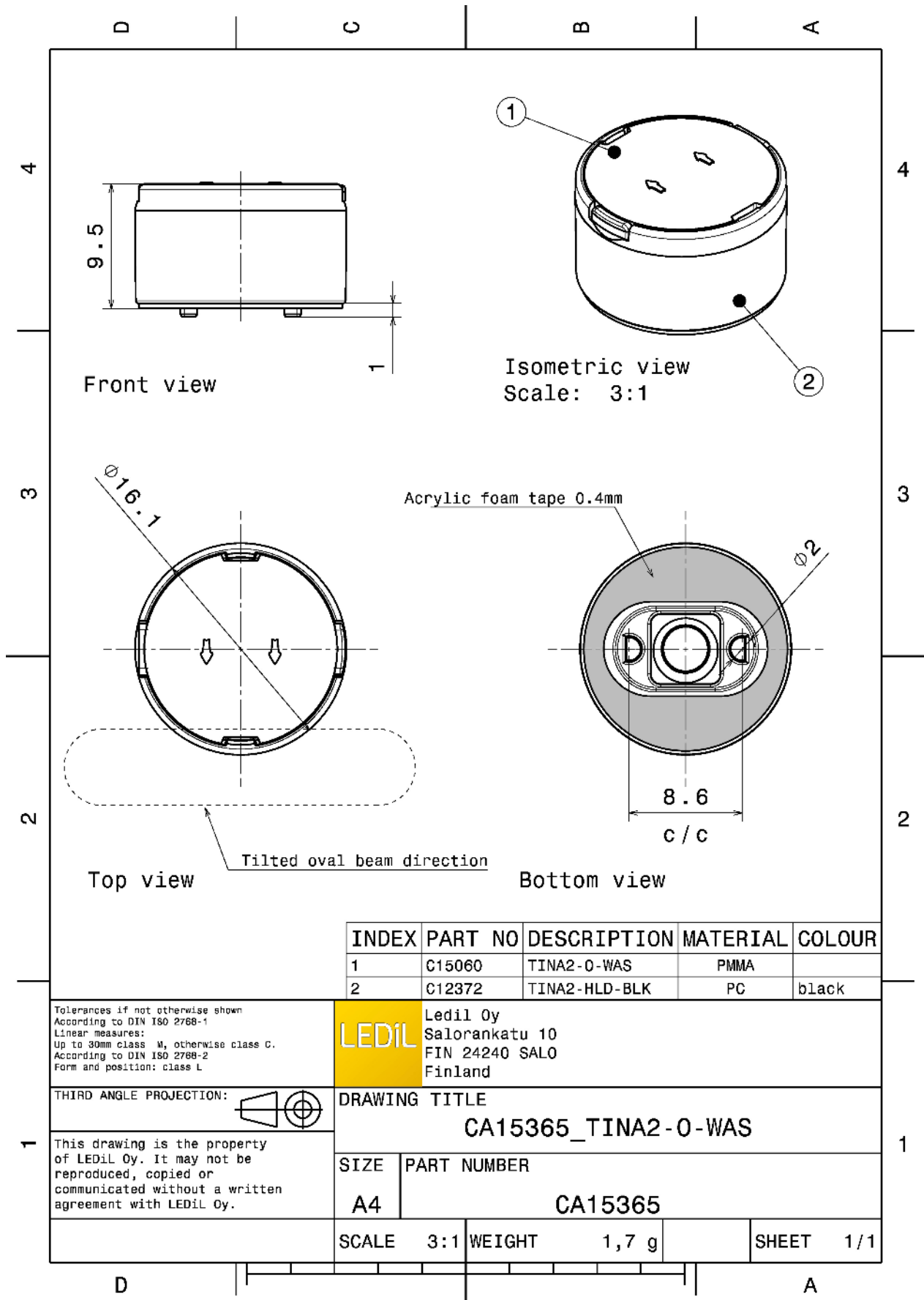


MATERIALS:

Component	Type	Material	Colour	Finish
TINA2-O-WAS	Single lens	PMMA	clear	
TINA2-HLD-BLK	Holder	PC	black	
TINA-TAPE3	Tape	Acrylic foam	black	

ORDERING INFORMATION:

Component		Qty in box	MOQ	MPQ	Box weight (kg)
CA15365_TINA2-O-WAS	Single lens	4140	230	230	8.0
» Box size: 451 x 241 x 298 mm					



INDEX	PART NO	DESCRIPTION	MATERIAL	COLOUR
1	C15060	TINA2-O-WAS	PMMA	
2	C12372	TINA2-HLD-BLK	PC	black

Tolerances if not otherwise shown
 According to DIN ISO 2768-1
 Linear measures:
 Up to 30mm class M, otherwise class C.
 According to DIN ISO 2768-2
 Form and position: class L

LEDiL Ledil Oy
 Salorankatu 10
 FIN 24240 SALO
 Finland

THIRD ANGLE PROJECTION:

DRAWING TITLE
CA15365_TINA2-O-WAS

This drawing is the property of LEDiL Oy. It may not be reproduced, copied or communicated without a written agreement with LEDiL Oy.


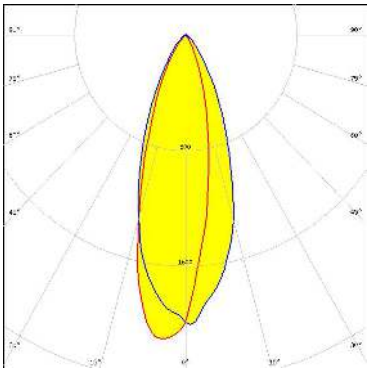
SIZE	PART NUMBER
A4	CA15365

SCALE	3:1	WEIGHT	1,7 g	SHEET	1/1
-------	-----	--------	-------	-------	-----


See also our general installation guide: www.ledil.com/installation_guide

OPTICAL RESULTS (SIMULATED):

		
LED	LUXEON C	
Assembly	NULL	
FWHM / FWTM	Asymmetric	
Efficiency	83 %	
Peak intensity	3.4 cd/lm	
LEDs/each optic	1	
Light colour	White	
Required components:		

		
LED	NV4WB35AM	
FWHM / FWTM	Asymmetric	
Efficiency	88 %	
Peak intensity	2.2 cd/lm	
LEDs/each optic	1	
Light colour	White	
Required components:		

		
LED	NVSxx19B/NVSxx19C	
FWHM / FWTM	Asymmetric	
Efficiency	86 %	
Peak intensity	3.1 cd/lm	
LEDs/each optic	1	
Light colour	White	
Required components:		

 <small>SEOUL SEMICONDUCTOR</small>		
LED	Z5M1/Z5M2	
FWHM / FWTM	Asymmetric	
Efficiency	89 %	
Peak intensity	3.5 cd/lm	
LEDs/each optic	1	
Light colour	White	
Required components:		

GENERAL INFORMATION:

NOTE: The typical beam angle will be changed by different color, chip size and chip position tolerance. The typical total beam angle is the full angle measured where the luminous intensity is half of the peak value.

MATERIALS:

As part of our continuous research and improvement processes, and to ensure the best possible quality and availability of our products, LEDiL reserves the right to change material grades without notice.

PRODUCT DATA USER AGREEMENT AND DISCLAIMER:

The measured data in the provided downloadable LEDiL Product Datasheets and Mechanical 2D-Drawings is rounded and provided as reference for planning. LEDiL Oy's optical specifications have been verified by conducting performance testing of the products in accordance with the company's quality system. The reported data are averaged results of multiple measurements with typical variation. LEDiL Oy reserves the right to without prior notification make changes and improvements to its products.

LEDiL Oy assumes neither warranty, nor guarantee nor any other liability of any kind for the contents and correctness of the provided data. The provided data has been generated with highest diligence but the provided data may in reality not represent the complete possible variation range of all intrinsic parameters. Therefore, in certain cases a deviation from the provided data could occur.

LEDiL Oy reserves the right to undertake technical changes of its products without further notification which could lead to changes in the provided data. LEDiL Oy assumes no liability of any kind for the possible deviation from any provided data or any other damage resulting from the usage of the provided data.

The user agrees to this disclaimer and user agreement with the download or usage of the provided files.

LEDiL Oy

Joensuunkatu 13
FI-24240 SALO
Finland

LEDiL Inc.

228 West Page Street
Suite D
Sycamore IL 60178
USA

Ledil Optics Technology (Shenzhen) Co., Ltd.

405 , Block B
Casic Motor Building
Shenzhen 518057
P.R.CHINA

Local sales and technical support

[www.ledil.com/
where_to_buy](http://www.ledil.com/where_to_buy)

Shipping locations

Salo, Finland
Hong Kong, China

Distribution Partners

[www.ledil.com/
where_to_buy](http://www.ledil.com/where_to_buy)