

10135311 - 10X LF

LEAD-FREE DESIGNATION  
ONLY WITH APPLICABLE  
PLATING CODES

SEE NOTE 2

LETTER DESIGNATION REPRESENTED IN DASH NUMBER

MODULE DESCRIPTION	LETTER DESIGNATION REPRESENTED IN DASH NUMBER										BASE MODULE
LEFT POLARIZING GUIDANCE MODULE (SEE SHEET 3)	<b>N</b>	<b>J</b> (NO KEY)	<b>A</b>	<b>B</b>	<b>C</b>	<b>D</b>	<b>E</b>	<b>F</b>	<b>G</b>	<b>H</b>	
	NO KEY NO GUIDE PIN										
RIGHT POLARIZING GUIDANCE MODULE (SEE SHEET 2)	<b>Z</b>	<b>Y</b> (NO KEY)	<b>P</b>	<b>Q</b>	<b>R</b>	<b>S</b>	<b>T</b>	<b>U</b>	<b>V</b>	<b>W</b>	
	NO KEY NO GUIDE PIN										

Amphenol  
FCi

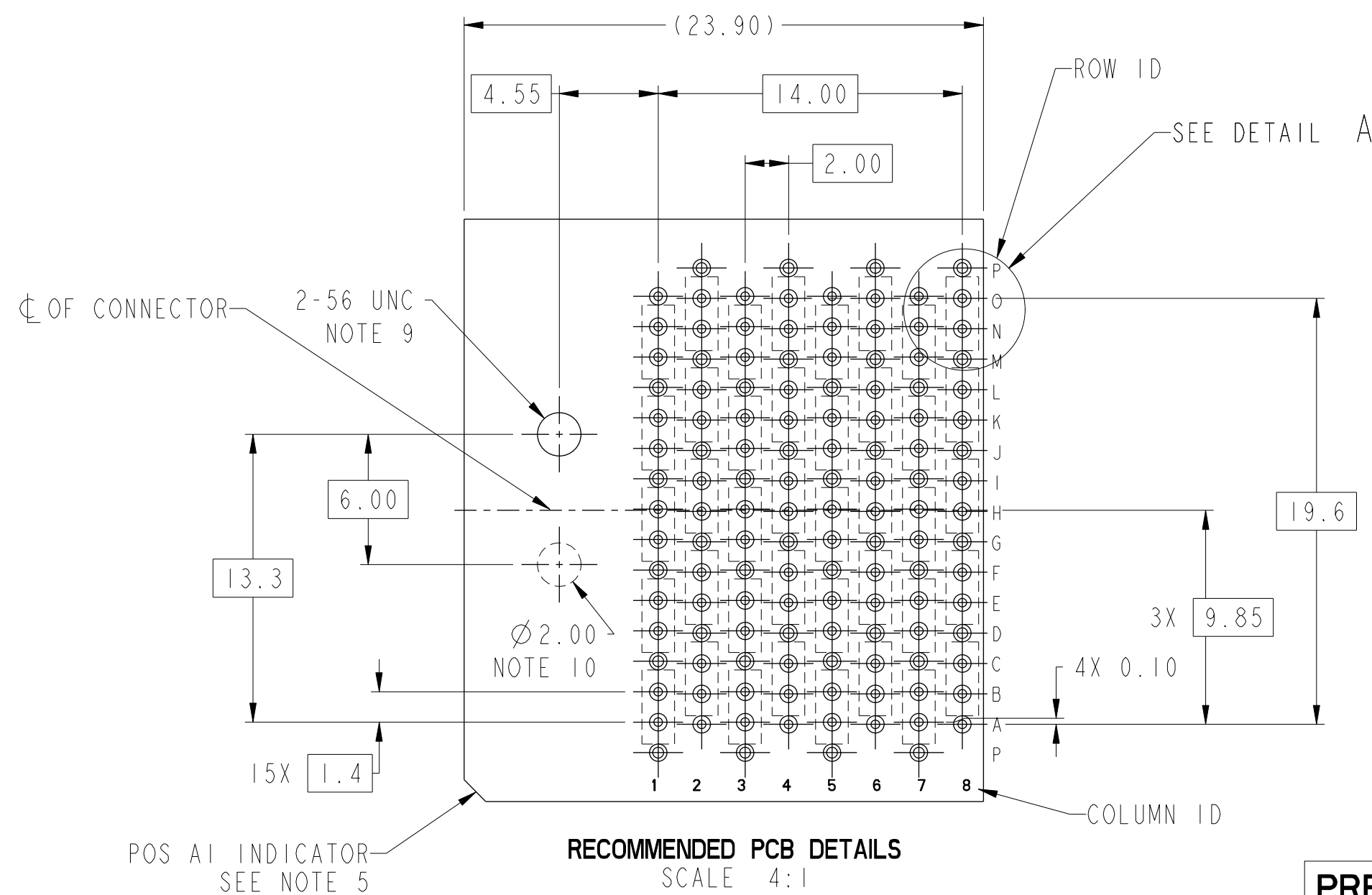
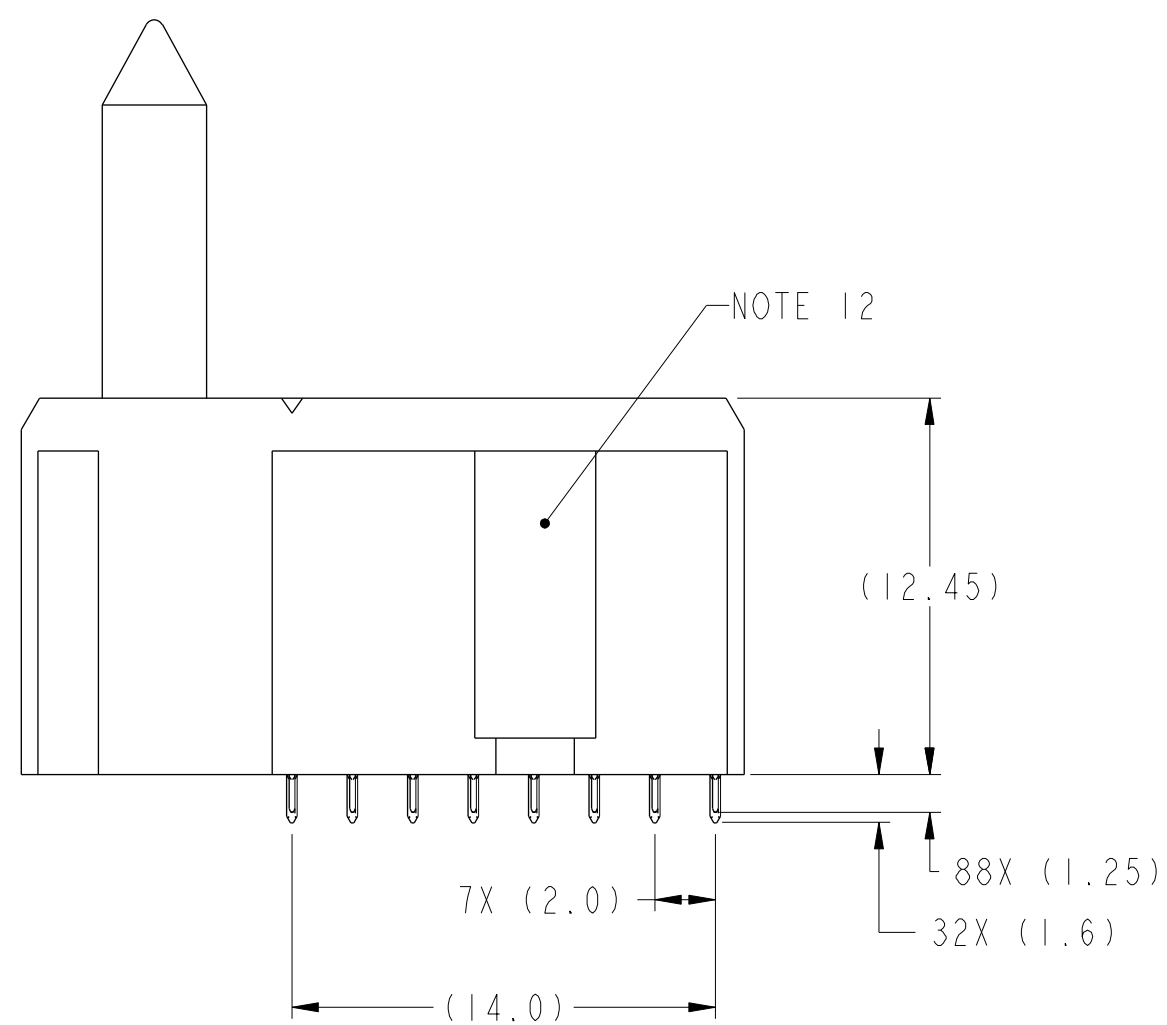
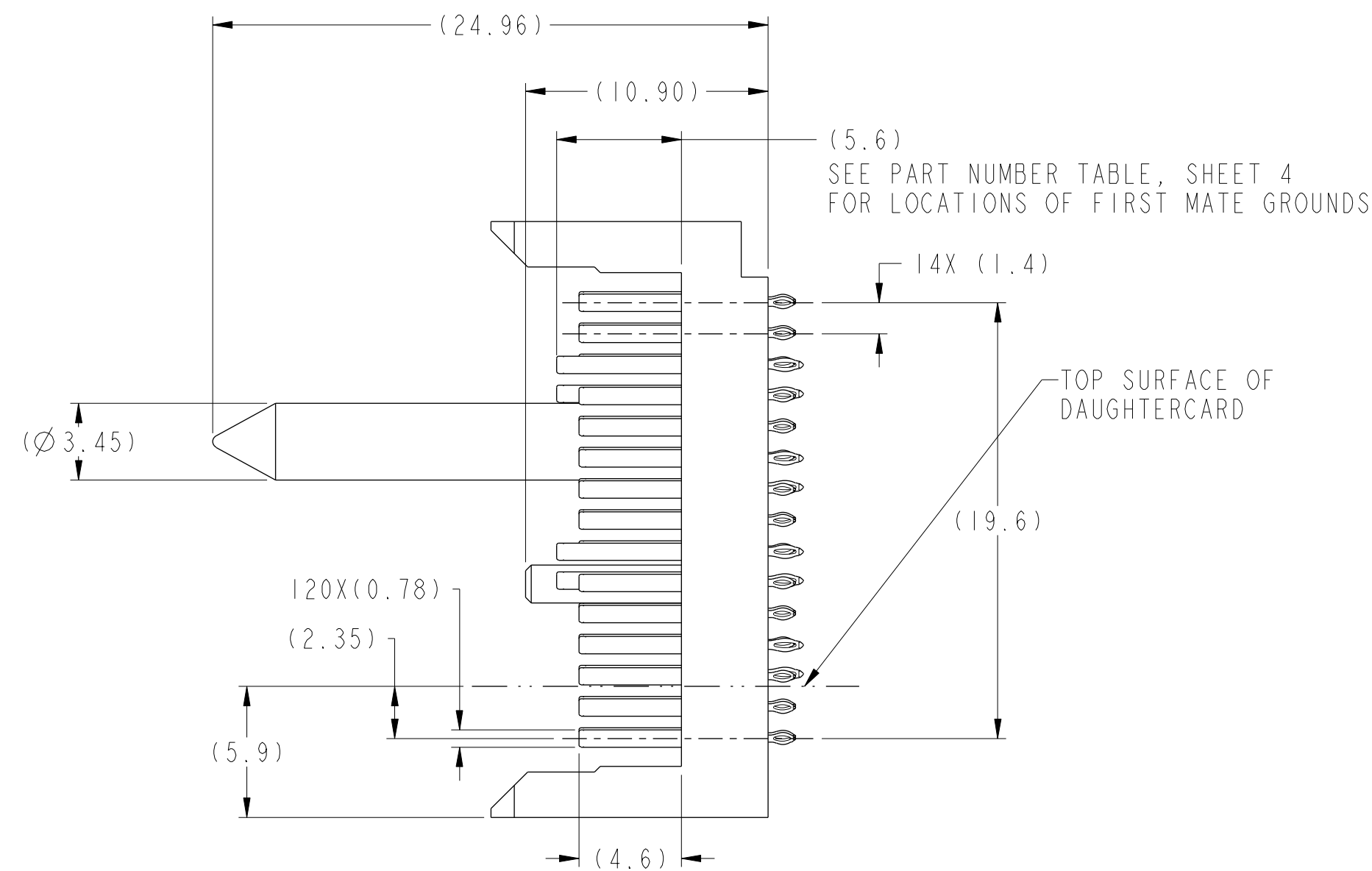
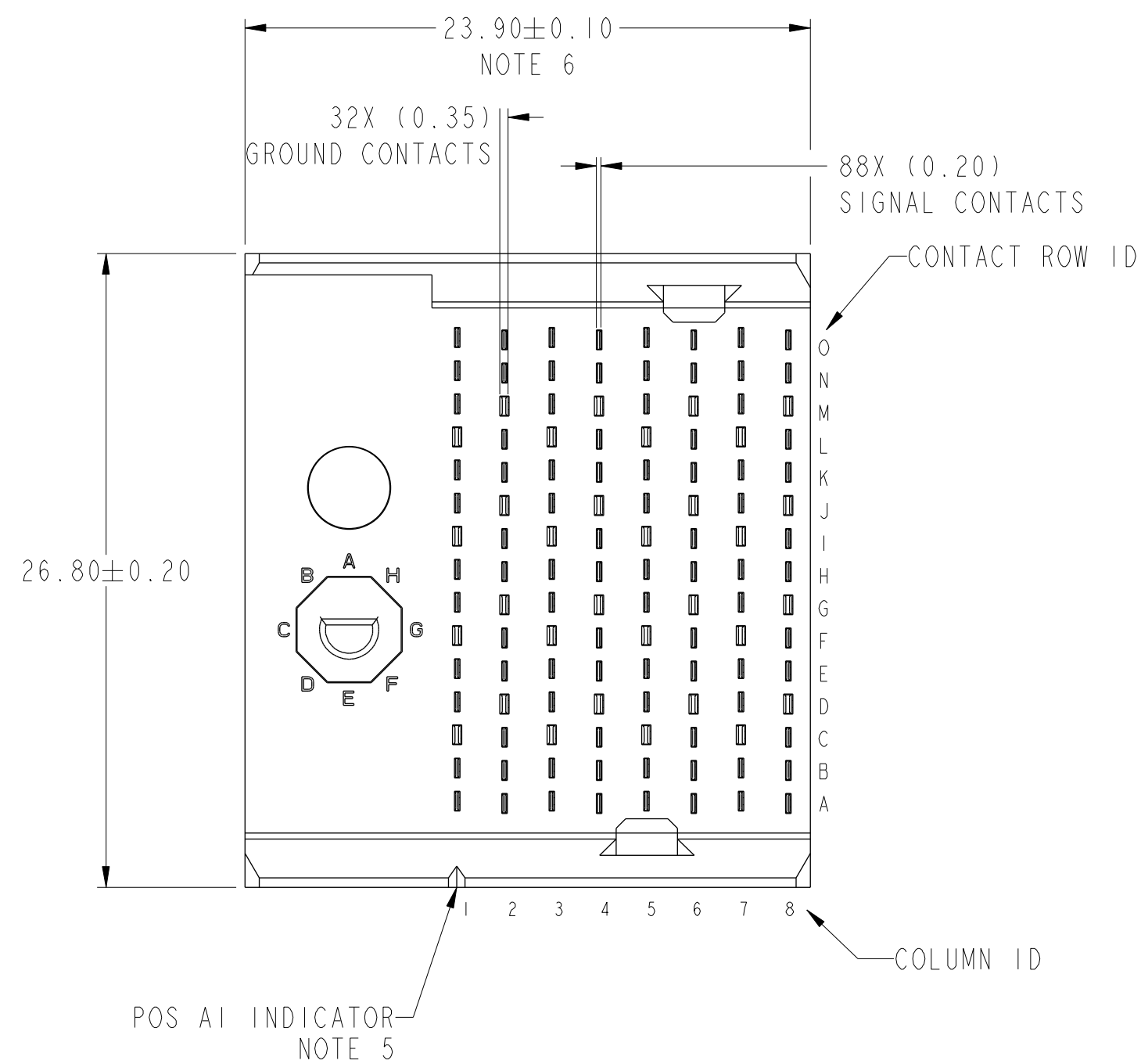
© 2016 AFCi

NOT TOOLED  
**PRELIMINARY**

spec ref	-	dr	Jackie Chen	20150527	projection	MM	size	A2	scale	4:1
tolerance std	ASME Y14.5	eng	Tao Zhan	20160314	chr	-	ecn no	-	rel level	Preliminary
surface	-	appr	-	-	product family	AIRMAX VS2	rel level	Preliminary	rev	1
ASME Y14.5	linear	0.X	±0.3	0.XX	±0.15	0.XXX	±0.050	angular	0°	±2°
TOLERANCES UNLESS OTHERWISE SPECIFIED		<b>Amphenol FCI</b>		title		AIRMAX VERTICAL HEADER		cat. no.		-
				PRESS-FIT, 5-PAIR, 120 POS, W/G		Product - Customer Drw		sheet 1 of 4		



LEFT POLARIZING WITH GUIDE



RECOMMENDED PCB DETAILS  
SCALE 4:1

PRELIMINARY

spec ref	-	dr	Jackie Chen	20150527	projection	MM	size	A2	scale	4:1
tolerance std	ASME Y14.5	eng	Tao Zhan	20160314	chr	-	ecn no	-	rel level	Preliminary
TOLERANCES UNLESS OTHERWISE SPECIFIED		appr	-	-	product family	AIRMAX VS2	cat. no.	-	Product - Customer Drw	sheet 3 of 4
surface	linear	0.X	±0.3	Amphenol FCi	AIRMAX VERTICAL HEADER	10135311	rev	1		
		0.XX	±0.15							
		0.XXX	±0.050							
ASME Y14.5	angular	0°	±2°							

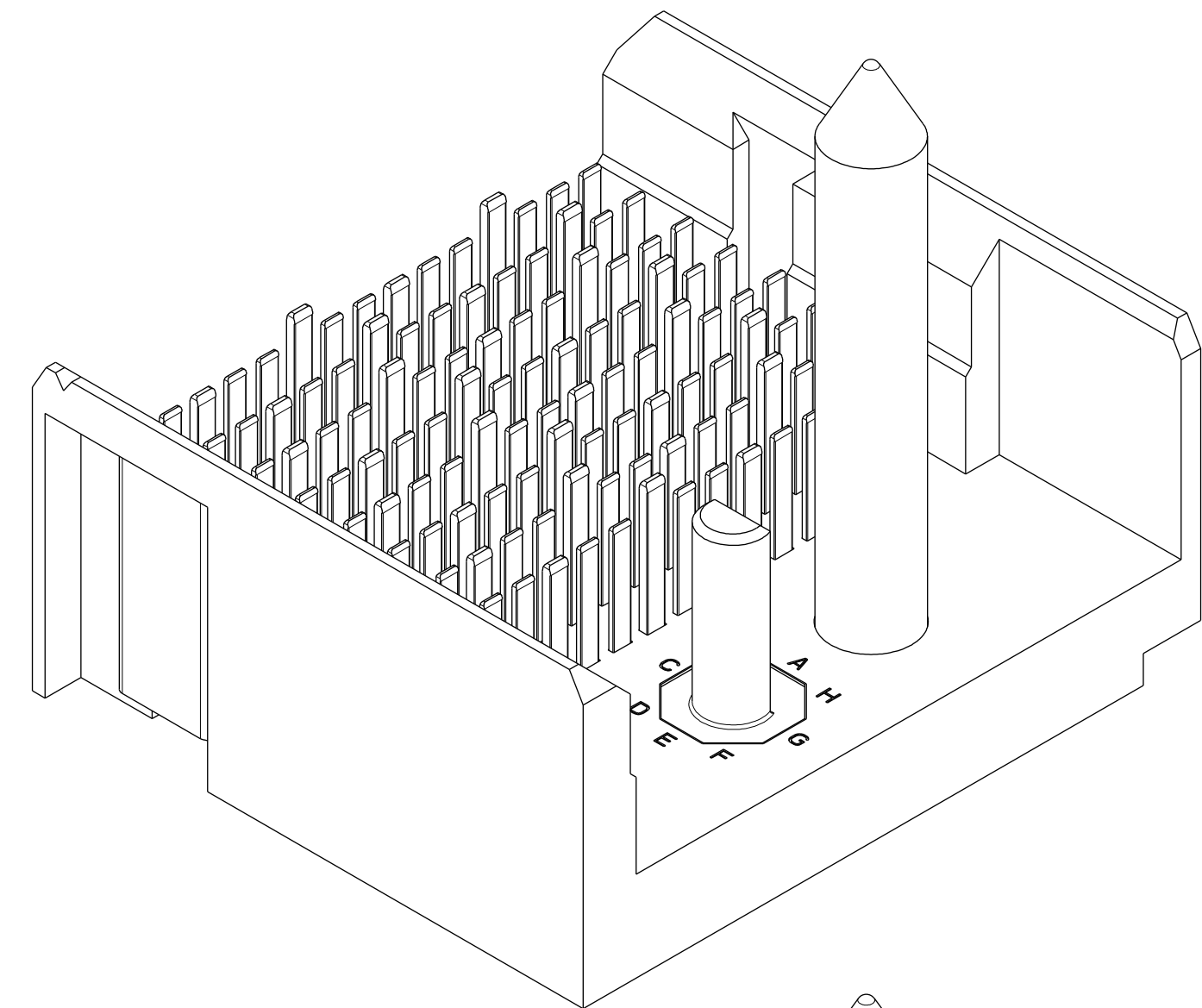
Amphenol  
FCi

© 2016 AFci

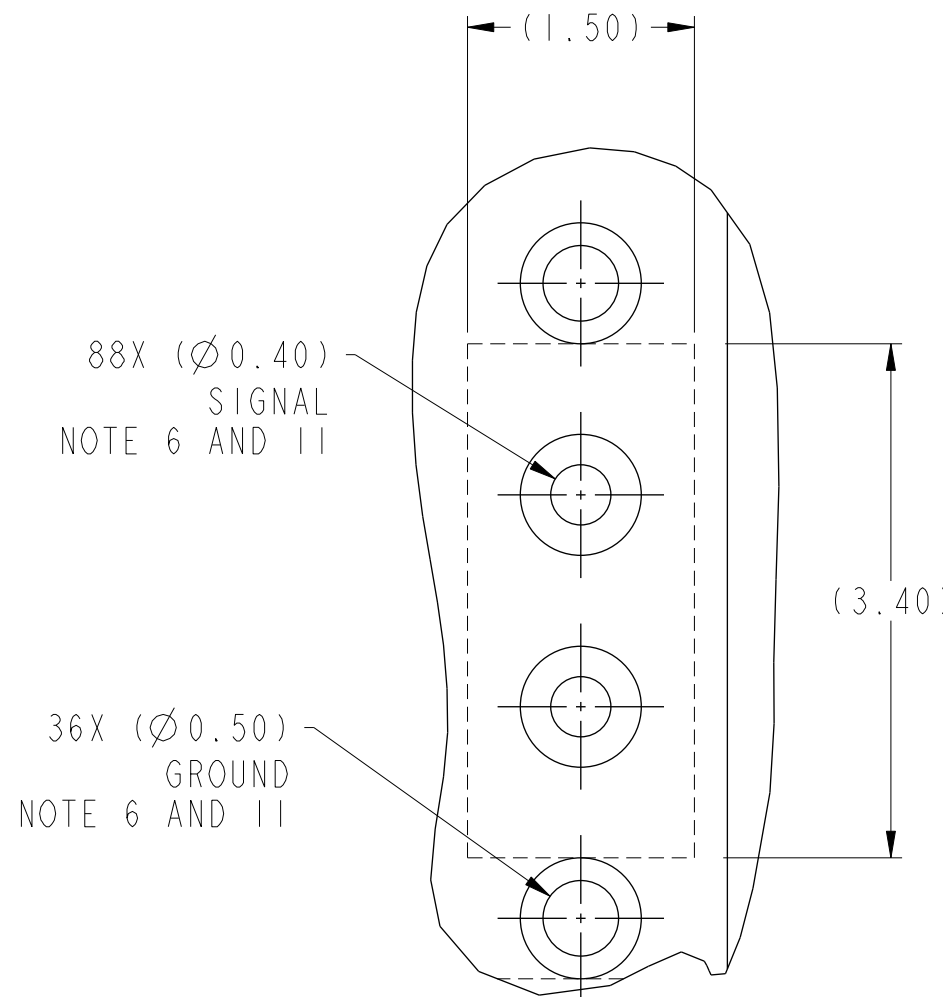
PART NUMBER	PRESS-FIT TAIL PLATING TYPE	FIRST MATE PIN LOCATIONS
10135311-10*LF	TIN OVER NICKEL (LEAD FREE)	F1, F3, F5, F7 G2, G4, G6, G8 L1, L3, L5, L7 M2, M4, M6, M8

NOTES:

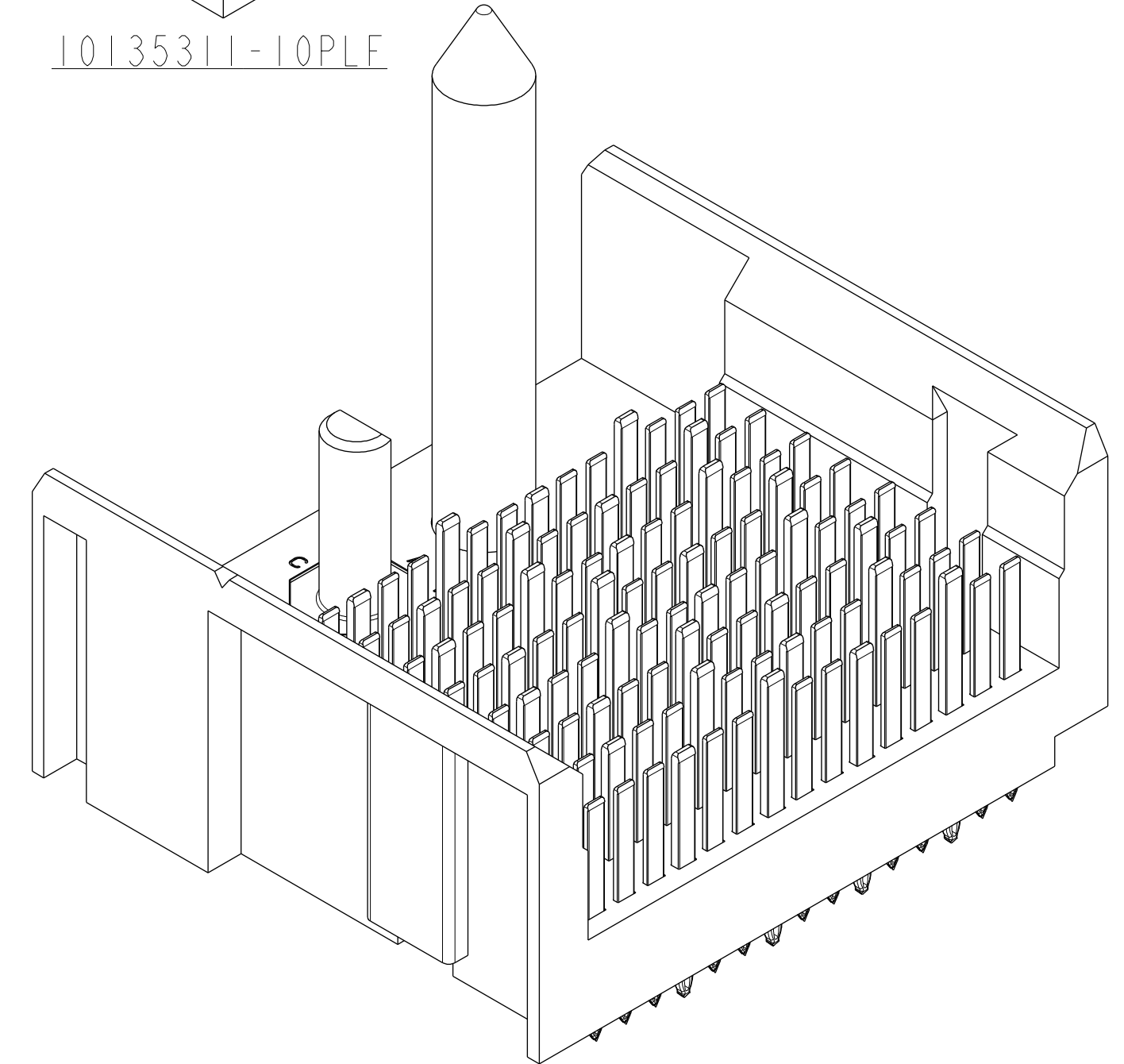
- CONNECTOR MATERIALS:  
HOUSING: HIGH TEMP THERMOPLASTIC, BLACK, UL94V-0  
CONTACT: COPPER ALLOY
- CONTACT PLATING:  
SEPARABLE INTERFACE: PERFORMANCE-BASED PLATING, QUALIFIED TO MEET THE REQUIREMENTS OF FCI PRODUCT SPECIFICATION GS-12-0956 INCLUDING TELCORDIA GR-1217-CORE (NOVEMBER 1995) CENTRAL OFFICE TEST SEQUENCE  
PRESS-FIT TAILS: SEE TABLE
- PRODUCT SPECIFICATION: GS-12-239.
- APPLICATION SPECIFICATION: GS-20-035.
- CONNECTOR OUTLINE WITH HOUSING POS AI INDICATOR MAY BE SCREEN PRINTED ONTO CUSTOMER PCB TO BE USED AS A GUIDE FOR MANUAL CONNECTOR PLACEMENT.
- REFER TO CUSTOMER DRAWING 10104444 FOR INFORMATION ON PCB HOLE DIAMETERS AND PLATING OPTIONS.
- THIS PRODUCT MEETS EUROPEAN UNION DIRECTIVES AND OTHER COUNTRY REGULATIONS AS DESCRIBED IN GS-22-008.
- PACKAGING MEETS GS-14-920 LEAD FREE LABELING SPECIFICATION.
- THE SCREW THREAD ON THE CONNECTOR IS 2-56 UNC -2B TAP 8.60 MM, #50 DRILL (1.778) TAP 8.80 MM.
- NO CIRCUIT IN THIS AREA SURFACE.
- GROUND VIAS IN POSITION C, F, I, L & P FOR ODD COLUMNS AND POSITIONS D, G, J, M & P FOR EVEN COLUMNS REQUIRE (Ø0.50) FINISHED HOLES. ALL OTHER VIAS REQUIRE (Ø0.40) FINISHED HOLES.
- PRODUCT MARKING (PROTOTYPE, PART NUMBER & LOT CODE) ON THIS SURFACE



10135311-10PLF



DETAIL A  
SCALE 20:1



10135311-10ALF

PRELIMINARY

spec ref	-	dr	Jackie Chen	20150527	projection	MM	size	A2	scale	5:1
tolerance std	ASME Y14.5	eng	Tao Zhan	20160314			ecn no	-	rel level	Preliminary
TOLERANCES UNLESS OTHERWISE SPECIFIED		chr	-	product family			AIRMAX VS2			
surface	-	appr	-		Amphenol FCI	title	AIRMAX VERTICAL HEADER		cat. no.	-
ASME Y14.5	linear	0.X	±0.3	0.XX	±0.15	0.XXX	±0.050	angular	0°	±2°
						Product - Customer Drw	sheet 4 of 4	rev	1	