

IS31AP4915A

20V_{P-P} CHARGE PUMP CERAMIC SPEAKER DRIVER

July 2021

GENERAL DESCRIPTION

The IS31AP4915A features a mono power amplifier with an integrated charge-pump power supply specifically designed to drive the high capacitance of a ceramic loudspeaker.

The IS31AP4915A maximizes battery life by offering high performance efficiency.

The IS31AP4915A is ideally suited to deliver the high output-voltage swing required to drive ceramic/piezoelectric speakers.

The device utilizes comprehensive click-and-pop suppression and shutdown control. The IS31AP4915A is fully specified over the -40°C to +85°C extended temperature range and is available in small lead-free 16-pin QFN (4mm × 4mm) packages.

FEATURES

- Integrated charge-pump power supply - no inductor required
- Thermal protection
- Pop reduction circuitry
- 20V_{P-P} voltage swing into piezoelectric speaker
- QFN-16, 4mm × 4mm
- ESD (HBM): ±2kV
ESD (MM): ±200V

APPLICATIONS

- CD/MP3 players
- Smart phones
- Cellular phones
- PDAs
- Handheld gaming

TYPICAL APPLICATION CIRCUIT

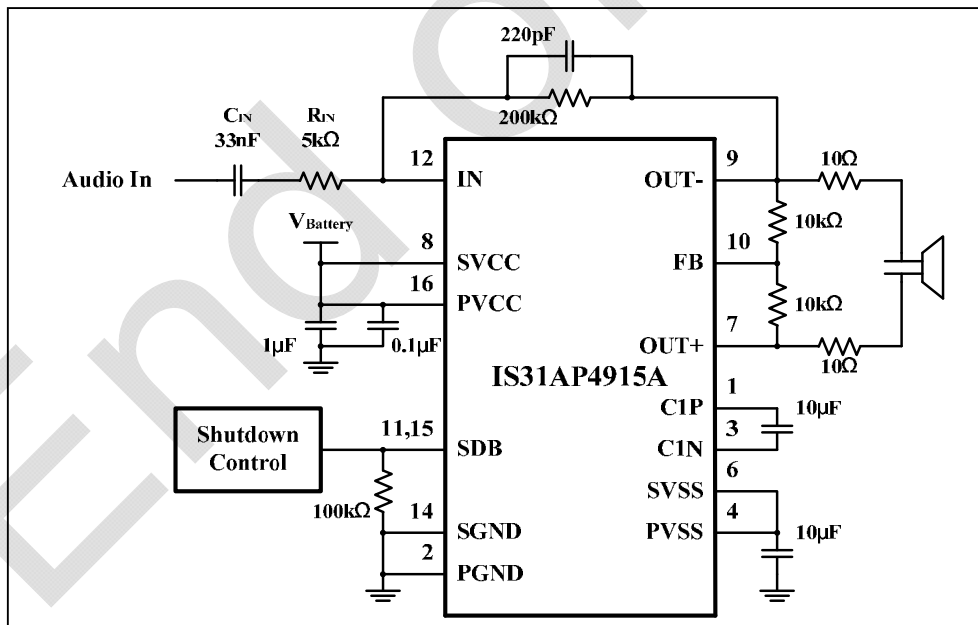
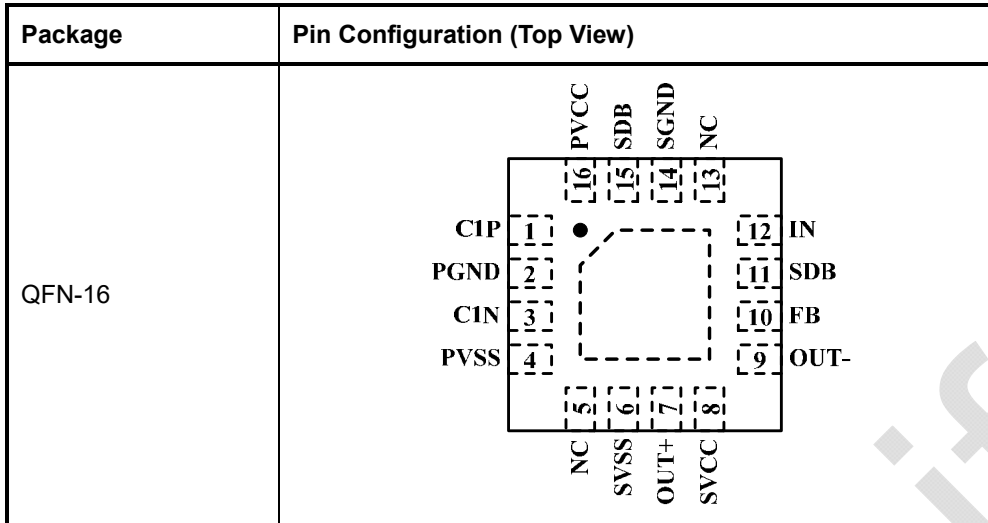


Figure 1 Typical Application Circuit

IS31AP4915A

PIN CONFIGURATION



PIN DESCRIPTION

No.	Pin	Description
1	C1P	Charge pump flying capacitor positive terminal.
2	PGND	Power ground, connect to ground.
3	C1N	Charge pump flying capacitor negative terminal.
4	PVSS	Output from charge pump.
5, 13	NC	No connection.
6	SVSS	Amplifier negative supply, connect to PVSS.
7	OUT+	Positive output signal.
8	SVCC	Amplifier positive supply, connect to PVCC.
9	OUT-	Negative output signal.
10	FB	Feed back.
11, 15	SDB	Shutdown, active low logic.
12	IN	Audio input signal.
14	SGND	Signal ground, connect to ground.
16	PVCC	Charge pump supply voltage, connect to positive supply.
	Thermal Pad	Connect to GND.

IS31AP4915A

ORDERING INFORMATION

Industrial Range: -40°C to +85°C

Order Part No.	Package	QTY/Reel
IS31AP4915A-QFLS2-TR	QFN-16, Lead-free	2500

End of Life

Copyright © 2021 Lumissil Microsystems. All rights reserved. Lumissil Microsystems reserves the right to make changes to this specification and its products at any time without notice. Lumissil Microsystems assumes no liability arising out of the application or use of any information, products or services described herein. Customers are advised to obtain the latest version of this device specification before relying on any published information and before placing orders for products.

Lumissil Microsystems does not recommend the use of any of its products in life support applications where the failure or malfunction of the product can reasonably be expected to cause failure of the life support system or to significantly affect its safety or effectiveness. Products are not authorized for use in such applications unless Lumissil Microsystems receives written assurance to its satisfaction, that:

- the risk of injury or damage has been minimized;
- the user assume all such risks; and
- potential liability of Lumissil Microsystems is adequately protected under the circumstances

IS31AP4915A

ABSOLUTE MAXIMUM RATINGS

Supply voltage, V_{CC}	-0.3V ~ +7.0V
Voltage at any input pin	-0.3V ~ $V_{CC}+0.3V$
Maximum junction temperature, T_{JMAX}	+150°C
Storage temperature range, T_{STG}	-65°C ~ +150°C
Operating temperature range, T_A	-40°C ~ +85°C

Note: Stresses beyond those listed under “Absolute Maximum Ratings” may cause permanent damage to the device. These are stress ratings only and functional operation of the device at these or any other condition beyond those indicated in the operational sections of the specifications is not implied. Exposure to absolute maximum rating conditions for extended periods may affect device reliability.

ELECTRICAL CHARACTERISTICS

$T_A=25^\circ\text{C}$, $V_{CC} = 2.5V \sim 5.5V$ (unless otherwise noted). (Note 1)

Symbol	Parameter	Condition	Min.	Typ.	Max.	Unit
SV_{CC} , PV_{CC}	Supply voltage		2.5		5.5	V
V_{IH}	High level input voltage		1.75			V
V_{IL}	Low level input voltage				0.5	V
$ V_{OS} $	Output offset voltage			6		mV
I_{CC}	Supply current	$V_{CC} = 3V$, $V_{SDB} = V_{CC}$		6.0	8.0	mA
		$V_{CC} = 5V$, $V_{SDB} = V_{CC}$		8.5	10.5	
I_{SD}	Shutdown current	$V_{SDB} = 0V$			1	μA

ELECTRICAL CHARACTERISTICS

$V_{CC} = 3.6V$, $T_A = 25^\circ\text{C}$ (unless otherwise noted). (Note 2)

Symbol	Parameter	Condition	Min.	Typ.	Max.	Unit
V_{OUT}	Output voltage	$f = 1\text{kHz}$ $THD+N = 10\%$ $R_L = 1\mu\text{F}+10\Omega$ $V_{CC} = 5.0V$		7.8		V_{RMS}
		$V_{CC} = 3.6V$		5.6		
		$V_{CC} = 2.7V$		4.3		
THD+N	Total harmonic distortion plus noise	$R_L = 1\mu\text{F}+10\Omega$, $V_{OUT} = 1\text{kHz}/2V_{RMS}$		0.004		%
		$R_L = 1\mu\text{F}+10\Omega$, $V_{OUT} = 1\text{kHz}/4V_{RMS}$		0.014		
V_{NO}	Noise output voltage			10		μV_{RMS}
f_{OSC}	Charge pump switching frequency			320		kHz
t_{ON}	Start-up time from shutdown			450		μs
SNR	Signal-to-noise ratio			100		dB
T_{OVP}	Thermal shutdown threshold			160		°C
T_{HY}	Thermal shutdown hysteresis			15		°C

Note 1: Production testing of the device is performed at 25°C. Functional operation of the device and parameters specified over other temperature range, are guaranteed by design, characterization and process control.

Note 2: Guaranteed by design.

TYPICAL OPERATING CHARACTERISTICS

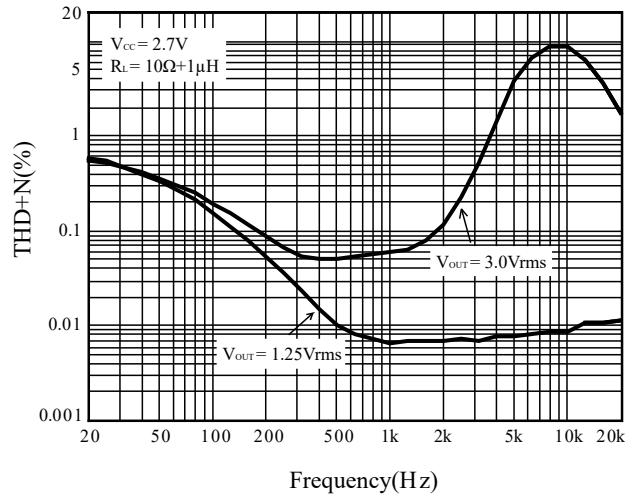


Figure 2 THD+N vs. Frequency

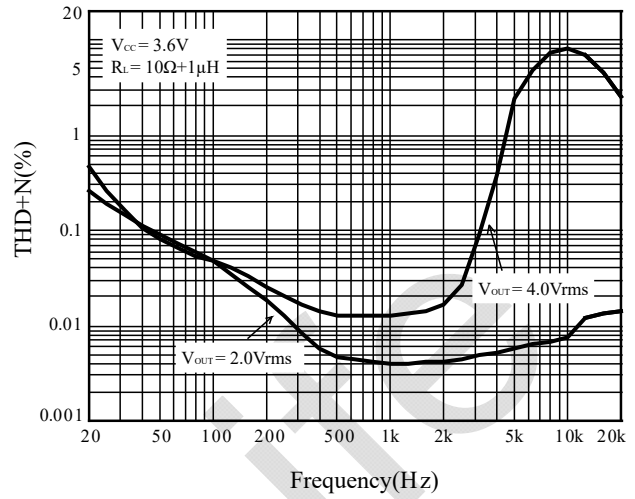


Figure 3 THD+N vs. Frequency

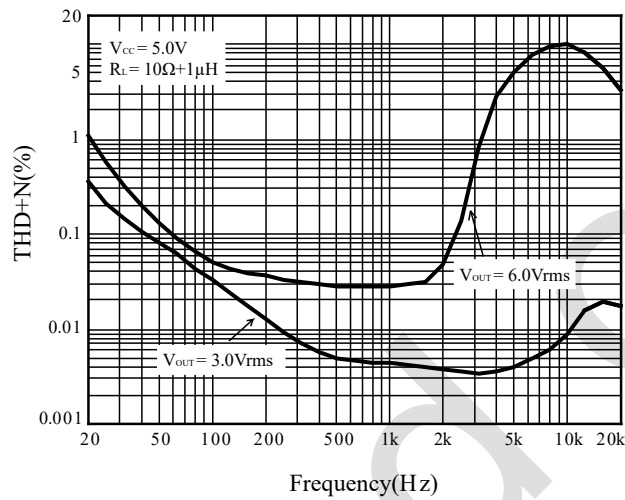


Figure 4 THD+N vs. Frequency

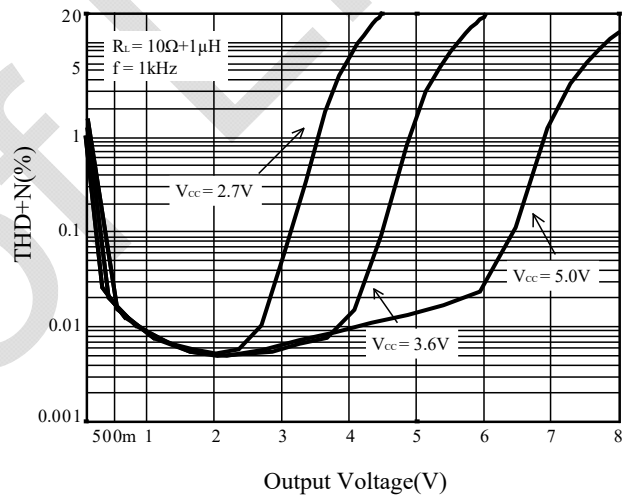


Figure 5 THD+N vs. Output Voltage

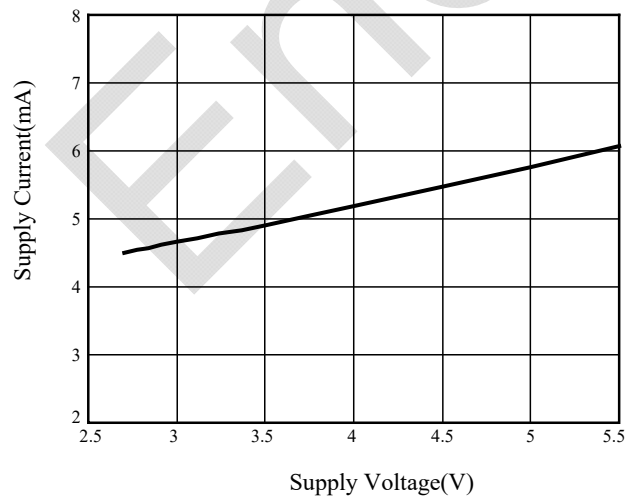


Figure 6 Supply Current vs. Supply Voltage

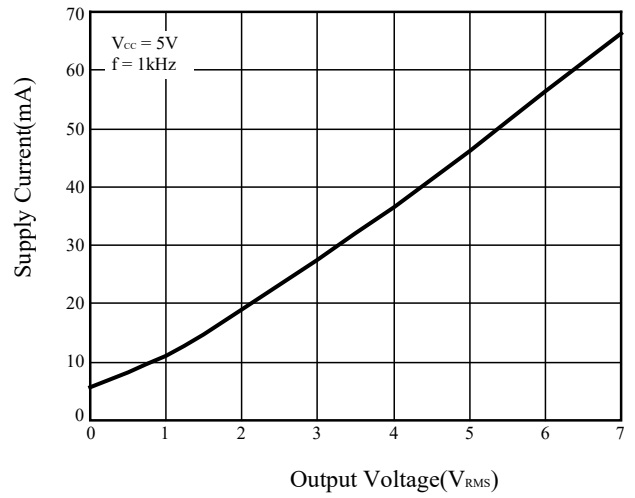
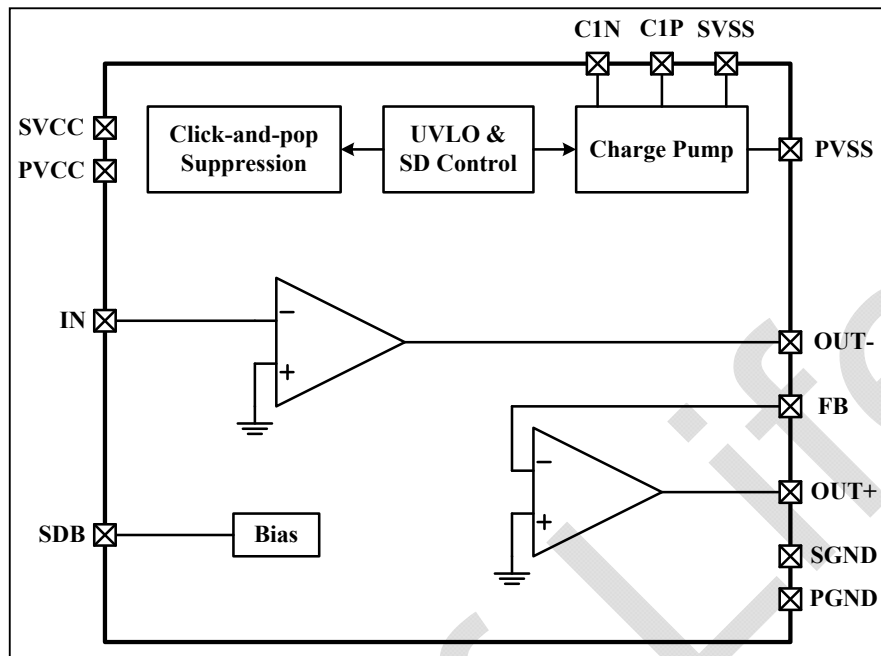


Figure 7 Supply Current vs. Output Voltage

FUNCTIONAL BLOCK DIAGRAM



IS31AP4915A

APPLICATION INFORMATION

INPUT-BLOCKING CAPACITORS

DC input-blocking capacitors are required to be added in series with the audio signal into the input pin of the IS31AP4915A. This capacitor blocks the DC portion of the audio source and allows the IS31AP4915A inputs to be properly biased to provide maximum performance.

These capacitors form a high-pass filter with the input impedance of the IS31AP4915A. The cutoff frequency is calculated using Equation 1. For this calculation, the capacitance used is the input-blocking capacitor and the resistance is the input impedance of the IS31AP4915A. Because the gains of both the IS31AP4915A are fixed, the input impedance remains a constant value. Using the input impedance value from the operating characteristics table, the frequency and/or capacitance can be determined when one of the two values is given.

$$f_{CIN} = \frac{1}{2\pi R_{IN} C_{IN}} \quad (1)$$

$$\text{or } C_{IN} = \frac{1}{2\pi f_{CIN} R_{IN}}$$

CHARGE PUMP FLYING CAPACITOR AND PVSS CAPACITOR

The charge pump flying capacitor serves to transfer charge during the generation of the negative supply voltage. The PVSS capacitor must be at least equal to the charge pump capacitor in order to allow maximum charge transfer. Low ESR capacitors are an ideal selection, and a value of 10 μ F is typical. Capacitor values that are smaller than 10 μ F can be used, but the maximum output power is reduced and the device may not operate to specifications.

DECOUPLING CAPACITORS

The IS31AP4915A require adequate power supply decoupling to ensure that the noise and total harmonic distortion (THD) are low. A good low equivalent-series-resistance (ESR) ceramic capacitor, typically 1 μ F, placed as close as possible to the device V_{CC} lead works best. Placing this decoupling capacitor close to the IS31AP4915A is important for the performance of the amplifier. For filtering lower frequency noise signals, a 10 μ F or greater capacitor placed near the audio power amplifier would also help, but it is not required in most applications because of the high PSRR of this device.

LAYOUT RECOMMENDATIONS

The SGND and PGND pins of the IS31AP4915A must be routed separately back to the decoupling capacitor in order to provide proper device operation. If the SGND and PGND pins are connected directly to each other, the part functions without risk of failure, but the noise and THD performance do not meet the specifications.

IS31AP4915A

CLASSIFICATION REFLOW PROFILES

Profile Feature	Pb-Free Assembly
Preheat & Soak	
Temperature min (T _{smin})	150°C
Temperature max (T _{smax})	200°C
Time (T _{smin} to T _{smax}) (t _s)	60-120 seconds
Average ramp-up rate (T _{smax} to T _p)	3°C/second max.
Liquidous temperature (T _L)	217°C
Time at liquidous (t _L)	60-150 seconds
Peak package body temperature (T _p)*	Max 260°C
Time (t _p)** within 5°C of the specified classification temperature (T _c)	Max 30 seconds
Average ramp-down rate (T _p to T _{smax})	6°C/second max.
Time 25°C to peak temperature	8 minutes max.

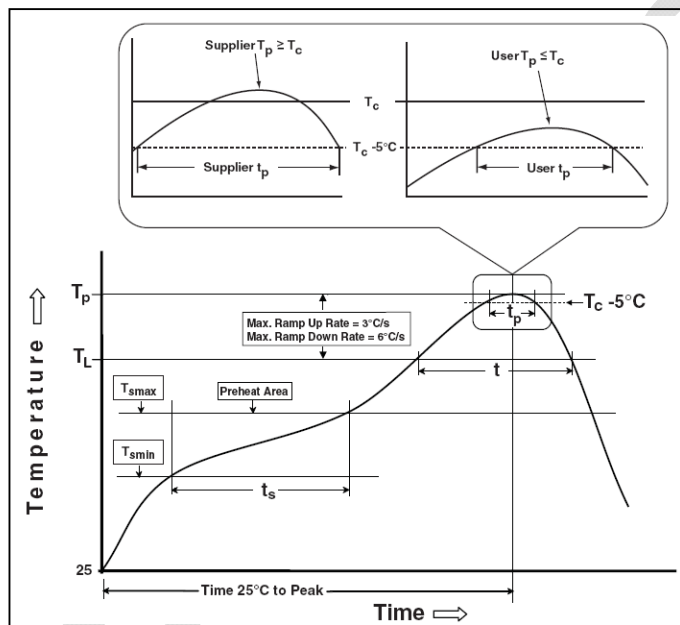
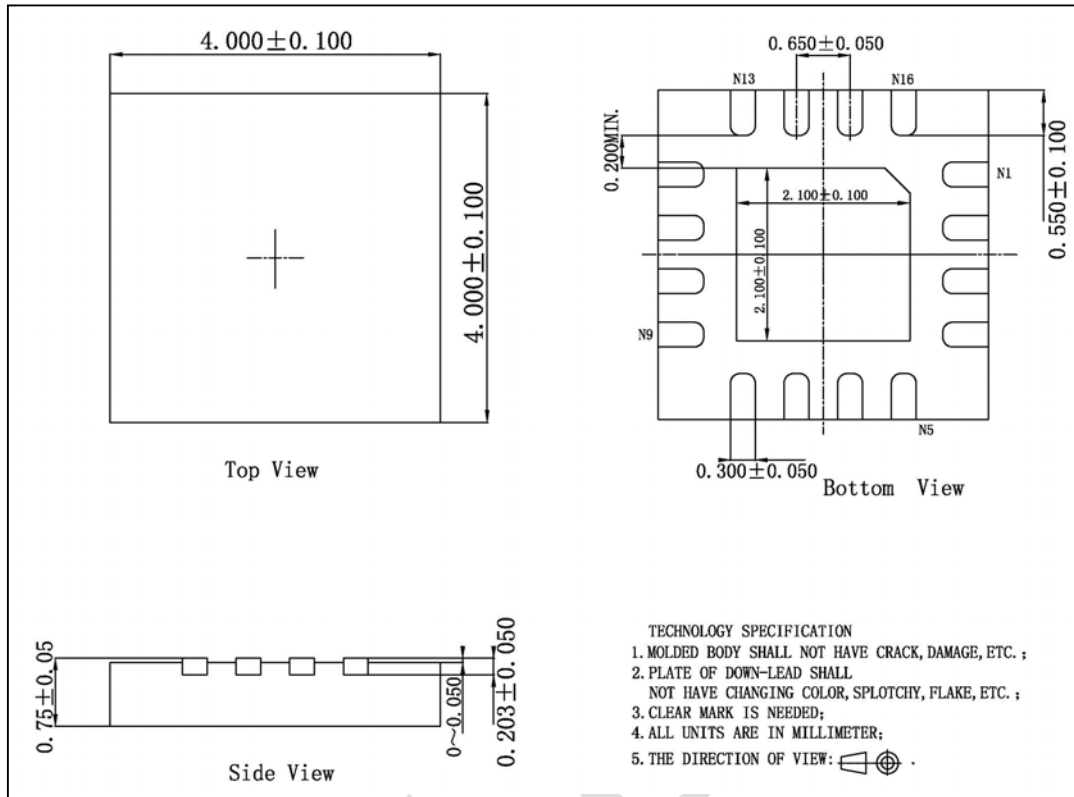


Figure 8 Classification Profile

IS31AP4915A

PACKAGE INFORMATION

QFN-16



Note: All dimensions in millimeters unless otherwise stated.

REVISION HISTORY

Revision	Detail Information	Date
A	Initial release	2013.07.17
B	1. Packing information changes from 3000/reel to 2500/reel 2. VIH changes to 1.75V	2013.08.08
C	Add "End of Life" watermark	2021.07.15

End of Life