

6

5

4

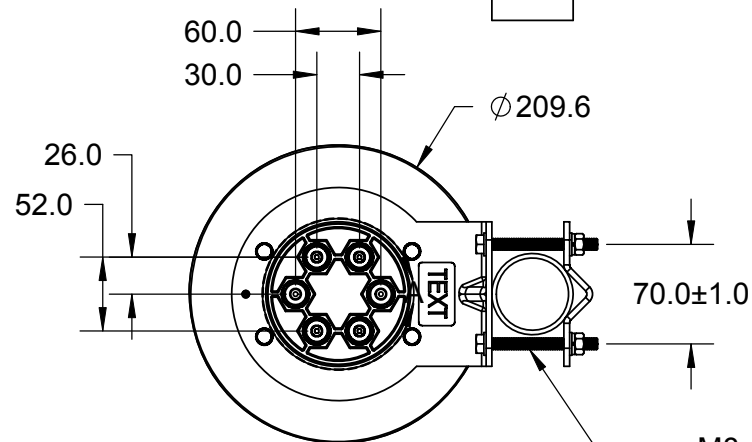
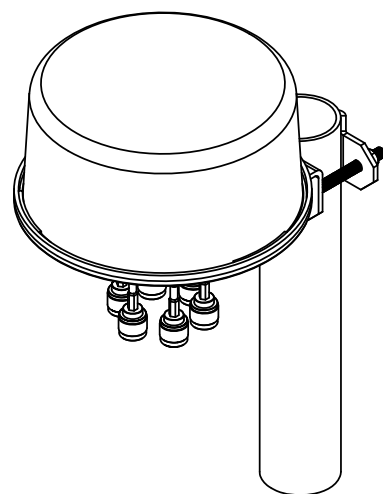
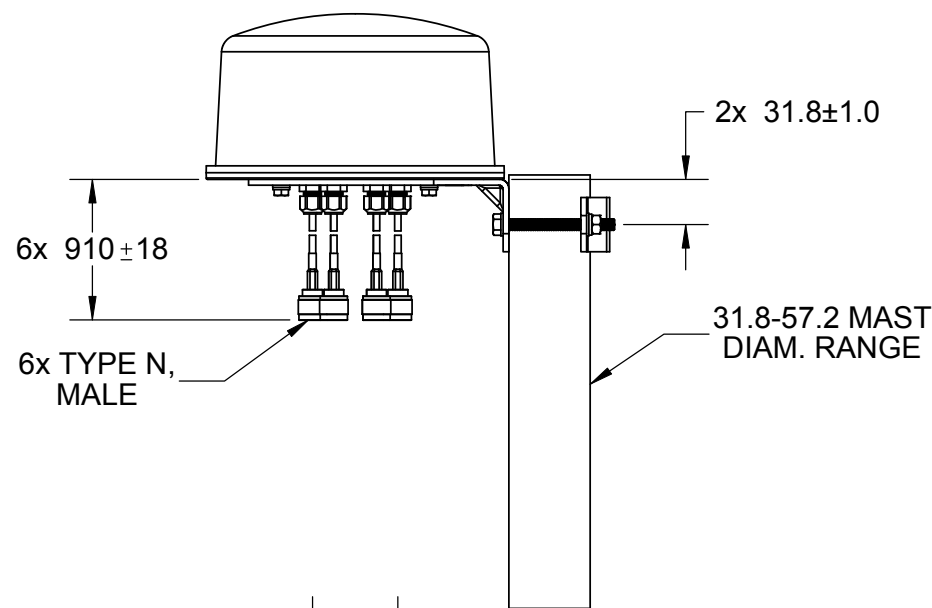
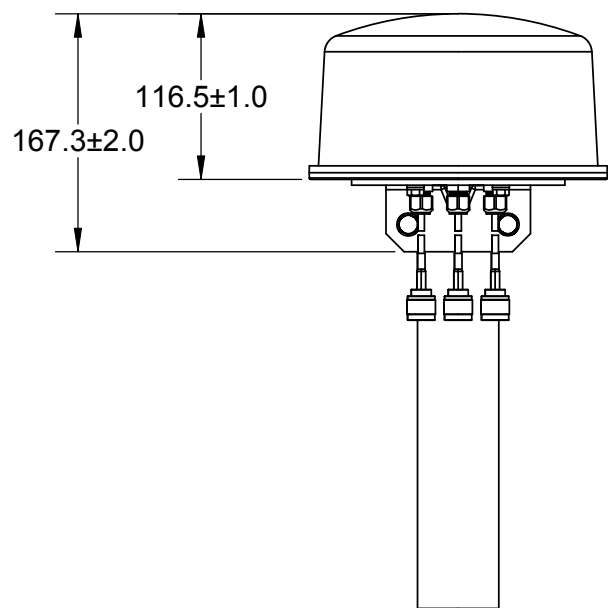
3

2

1

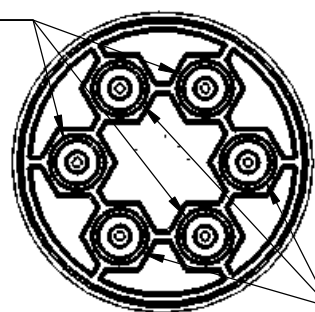
THIS DRAWING IS UNPUBLISHED.	RELEASED FOR PUBLICATION
© Copyright 2022 TE Connectivity Ltd.	ALL RIGHTS RESERVED.

REVISIONS					
REV.	ECR#	ZONE	DESCRIPTION	CHANGED BY/DATE	APPROVED BY/DATE
AA			INITIAL RELEASE	K.S. 04-13-12	K.S. 04-13-12



2.5GHz PORTS,  
3x, BLACK HEAT  
SHRINK AT  
CONNECTOR

M8x1.25 STAINLESS  
STEEL BOLT, WASHERS  
AND NUT



5GHz PORTS,  
3x, BLUE HEAT  
SHRINK AT  
CONNECTOR

DETAIL A  
SCALE 2 : 5

Parameter	Performance	
TE Model Number	OP24516SX-91NM	
Antenna Type	Omnidirectional, 3x3 Elements	
RF Connector	Type N, Male 6x	
Cable Type	RG-58	
Cable P/N (Removable)	N/A	
Cable Length	910mm±18mm 6x (36in±0.71in 6x)	
Plenum Rating	Yes	
Frequency (MHz)	3x, 2400-2500	3x, 5150-5875
Gain (dBi)	1.6 Typ 4 Max	5 Typ 6 Max
Azimuth Typical 3dB Beamwidth	Omnidirectional	
Elevation Typical 3dB Beamwidth	45°	32°
Impedance	50	
Port-to-Port Isolation	20dB	30dB
Polarization	Linear, Vertical	
VSWR	2.0:1, Max	
Power	5W x 6	
Weight	1.7kg (3.7lbs)	
Omnidirectionality	8dB Nominal	20dB Nominal
Radome Material	Polycarbonate, White	
Mounting	Mast Mount (31.8-57.2 DIAM.)	
Wind Survival	200 km/hr (125 mph)	
Operational Temperature	-30°C to +70°C	
Storage Temperature	-40°C to +85°C	
Ingression Protection	IP67	

MATERIAL: N/A		THIRD ANGLE PROJECTION
FINISH: N/A		DO NOT SCALE DRAWING
APPROVALS		INTERPRET DIMENSIONING AND TOLERANCING IN ACCORDANCE WITH ASME Y14.5M-2009
DRAWN BY	K. SEARL	DATE
PROJ. ENG.	W. CHANG	04-18-12
APPL. MECH.	S. JOHNSON	04-13-12
MFG.	B. THATCHER	04-13-12
TOLERANCES UNLESS OTHERWISE SPECIFIED		ANGLE: ±30'
DIMENSIONS ARE IN MILLIMETERS		0 PLACE DECIMAL: +0.5
		1 PLACE DECIMAL: +0.25
		2 PLACE DECIMAL: +0.13
		SURFACE ROUGHNESS 1.6

**TE**  
connectivity

TITLE:  
**OP24516SX-91NM**

SIZE <b>A3</b>	DWG. NO. <b>OP24516SX-91NMMO</b>	REV <b>AA</b>
SCALE: 1:5	PREVIOUS#	SHEET 1 OF 1

6

5

4

3

2

1