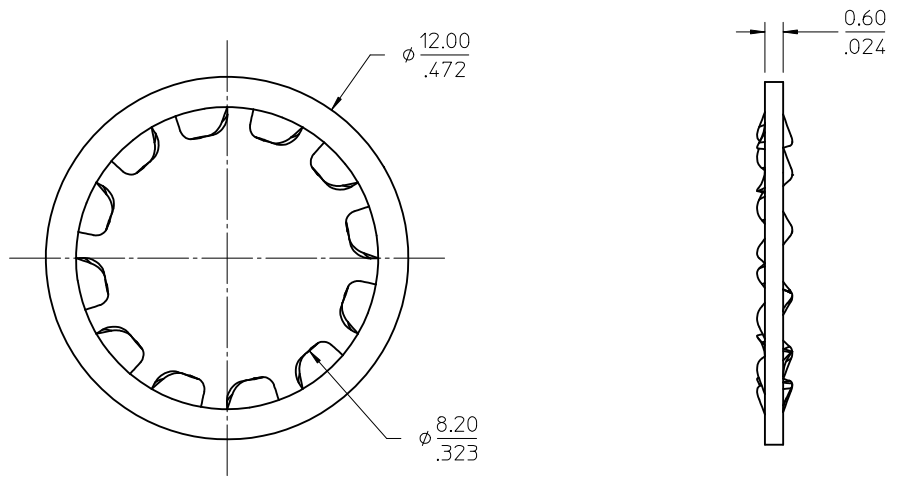
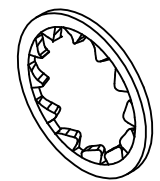


MATERIAL AND FINISH:

LOCK WASHER: PHOSPHOR BRONZE
PLATED NICKEL



PART # 89610-1271

J
I
H
G
F
E
D
C
B
A

CHG: NEW RELEASED PER: PDR12051081 EC NO: URF2012-0715 DRWN: CWE102 2012/05/25 CHKD: APPR: MHUANG 2012/06/15	DESCRIPTION
REV	

QUALITY SYMBOLS
= 0
= 0
= 0

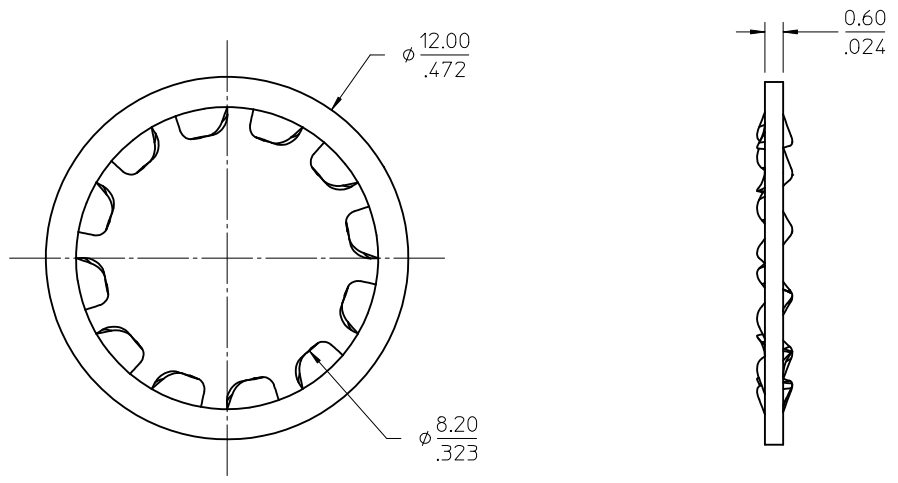
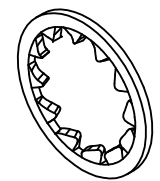
GENERAL TOLERANCES (UNLESS SPECIFIED)	mm	INCH
4 PLACES	± .005	± .0002
3 PLACES	± .008	± .0003
2 PLACES	± .015	± .0006
1 PLACE	± .030	± .0012
0 PLACE	± .050	± .0020
ANGULAR ± 2°		
DRAFT WHERE APPLICABLE MUST REMAIN WITHIN DIMENSIONS		

DIMENSION STYLE		MM/IN
DRAWN BY	DATE	
CWE102	2012/05/25	
CHECKED BY	DATE	
KERRIE	2012/05/25	
APPROVED BY	DATE	
MHUANG	2012/06/15	
MATERIAL NO.	896101271	

SCALE	DESIGN UNITS	THIRD ANGLE PROJECTION
	METRIC	
TITLE		
LOCK WASHER M-LW		
molex		
DOCUMENT NO.	SHEET NO.	
SD-89610-127	1 OF 1	
THIS DRAWING CONTAINS INFORMATION THAT IS PROPRIETARY TO MOLEX INCORPORATED AND SHOULD NOT BE USED WITHOUT WRITTEN PERMISSION		

MATERIAL AND FINISH:

LOCK WASHER: PHOSPHOR BRONZE
PLATED NICKEL



PART # 89610-1271

J
I
H
G
F
E
D
C
B
A

CHG: NEW RELEASED PER PDR12051081	DRWN:CWE102	2012/05/25
EC NO: URF2012-0715	CHKD:	
	APPR:MHUANG	2012/06/15
REV	DESCRIPTION	
A		

QUALITY SYMBOLS
= 0
= 0
= 0

GENERAL TOLERANCES (UNLESS SPECIFIED)	
	mm
	INCH
4 PLACES	± .005
3 PLACES	± .004
2 PLACES	± .003
1 PLACE	± .002
0 PLACE	± .001
ANGULAR ± 2°	
DRAFT WHERE APPLICABLE MUST REMAIN WITHIN DIMENSIONS	

DIMENSION STYLE	
MM/IN	
DRAWN BY	DATE
CWE102	2012/05/25
CHECKED BY	DATE
KERRIE	2012/05/25
APPROVED BY	DATE
MHUANG	2012/06/15
MATERIAL NO.	
896101271	

SCALE	DESIGN UNITS	THIRD ANGLE PROJECTION
	METRIC	
TITLE		
LOCK WASHER M-LW		
molex		
DOCUMENT NO.	SHEET NO.	
SD-89610-127	1 OF 1	
THIS DRAWING CONTAINS INFORMATION THAT IS PROPRIETARY TO MOLEX INCORPORATED AND SHOULD NOT BE USED WITHOUT WRITTEN PERMISSION		