

NOTES:

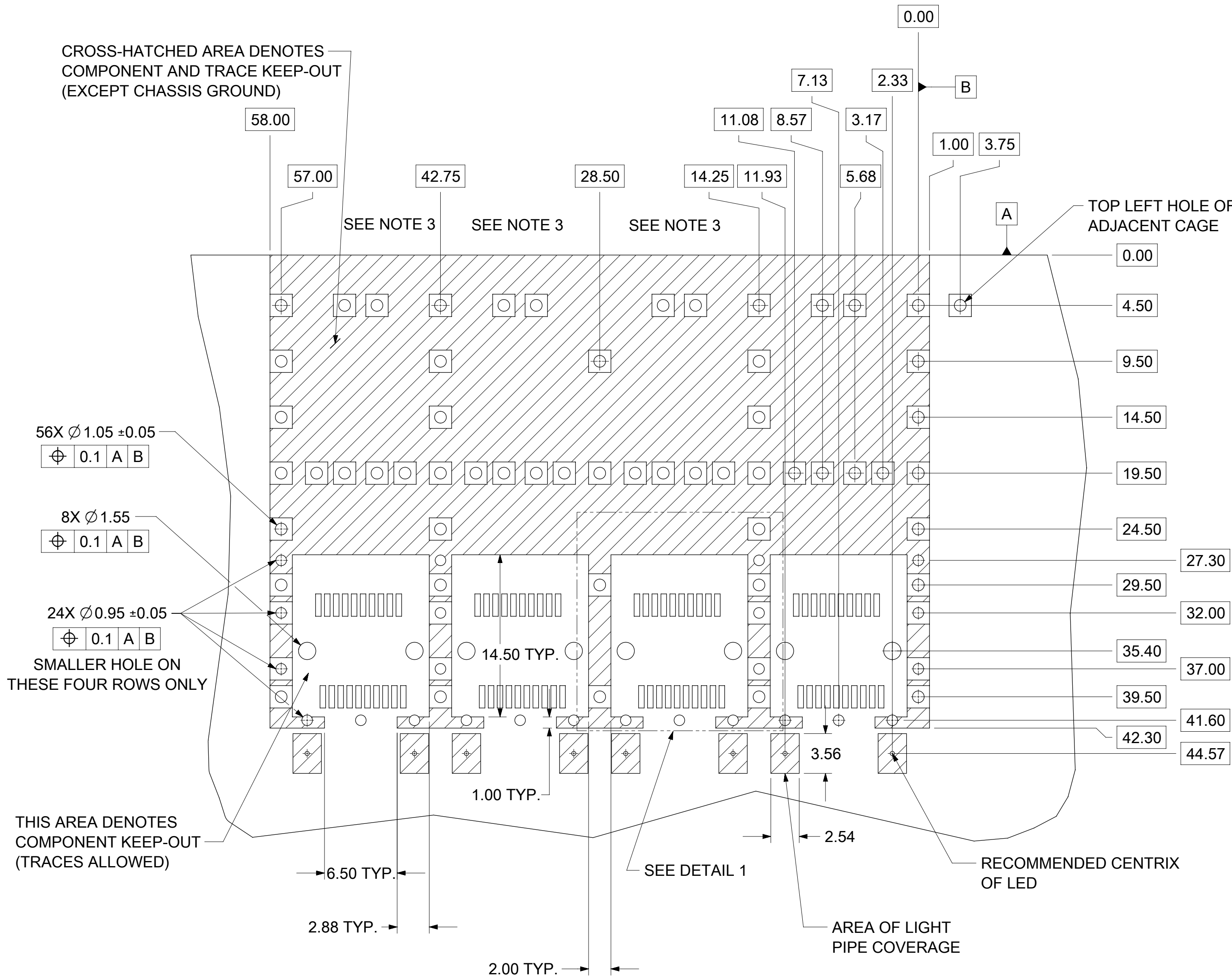
- THIS LIGHT PIPE ASSEMBLY TO BE USED WITH THE FOLLOWING 1X4 SFP CAGE ASSEMBLIES:
 747280411 - 1X4 SFP CAGE ASSEMBLY W/ PRESS FIT PINS, W/ 2.29 GASKET, F/ LIGHT PIPES (REFER TO DOCUMENT SD-74728-411)
 747280412 - 1X4 SFP CAGE ASSEMBLY W/ SOLDER POSTS, W/ 2.62 GASKET, F/ LIGHT PIPES (REFER TO DOCUMENT SD-74728-412)
 747280415 - 1X4 SFP CAGE ASSEMBLY W/ PRESS FIT PINS, W/ 2.62 GASKET, F/ LIGHT PIPES (REFER TO DOCUMENT SD-74728-415)
- IT IS RECOMMENDED THAT THE CAGE ASSEMBLY BE PRESSED INTO OR SOLDERED TO THE PCB PRIOR TO ASSEMBLING THE LIGHT PIPE ASSEMBLY.
- LED'S TO HAVE A MAXIMUM HEIGHT OF 1.4mm AND A MINIMUM HEIGHT OF 0.7mm
- RECOMMENDED LED'S INCLUDE THE FOLLOWING MANUFACTURES:
 DIALIGHT: 597-77x1-5xx SERIES
 CHICAGO MINIATURE: 7016 SERIES
 KINGBRIGHT: APBL3025 SERIES (BICOLOR)
 APL3015 SERIES (SINGLE COLOR)
- NO RoHS EXEMPTION

SEE TABLE BELOW FOR DATE CODE INFORMATION.

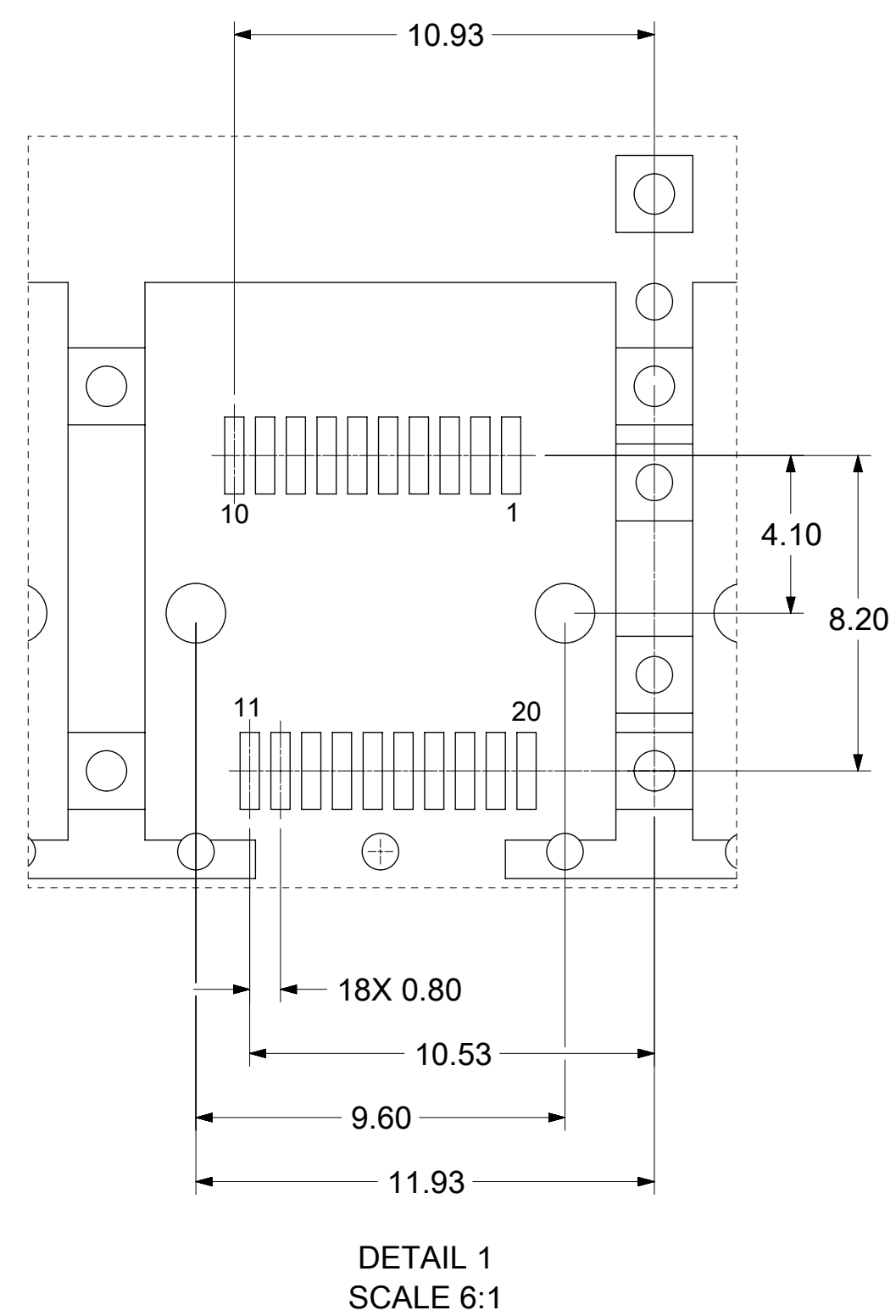
WEEK / YEAR DATE CODE TABLE	
WK	WEEK OF THE YEAR 01 THRU 52 OR 53 (EXAMPLE : 01 = FIRST WEEK OF YEAR, 52 OR 53 = LAST WEEK OF YEAR)
YR	22, 23, 24 ETC.... (EXAMPLE: YEAR 2022=22)

FUNCTIONAL SYMBOLS $\nabla_A = 0$ $\nabla_E = 0$ $\nabla_P = 0$	THIS DRAWING CONTAINS INFORMATION THAT IS PROPRIETARY TO MOLEX ELECTRONIC TECHNOLOGIES, LLC AND SHOULD NOT BE USED WITHOUT WRITTEN PERMISSION	CURRENT REV DESC: SEE REVISION TABLE					
	DIMENSION UNITS: mm	SCALE: 3:1	EC NO: 713044				
	GENERAL TOLERANCES (UNLESS SPECIFIED)	4 PLACES ±		DRWN: AMRUTH	2022/06/30	1X4 SFP LIGHT PIPE ASSEMBLY, BACK-TOP PRODUCT CUSTOMER DRAWING	
	ANGULAR TOL ± 1.0°	3 PLACES ±		CHK'D: DKUMARG	2022/06/30		
DIVISIONAL SYMBOLS	2 PLACES ± 0.13		APPR: SCHIEN	2022/07/05			
1 PLACE ± 0.25		INITIAL REVISION:		DOCUMENT NUMBER	DOC TYPE	DOC PART	REVISION
0 PLACES ±		DRWN: AAPPARAOETHAK		2018/12/04	747280001		
DRAFT WHERE APPLICABLE MUST REMAIN WITHIN DIMENSIONS		APPR: RCHEN08		2018/12/12	MATERIAL NUMBER	CUSTOMER	SHEET NUMBER
THIRD ANGLE PROJECTION		DRAWING		SERIES	747280001	GENERAL MARKET	1 OF 5
C-SIZE		74728					

PCB LAYOUT FOR BELLY TO BELLY MOUNTING



HOST CONNECTOR DETAIL



- NOTES:**
- PADS AND VIAS GO TO CHASSIS GROUND, (64 PLACES). RECOMMENDED PADS TO BE 2 mm SQUARE.
 - PLATING OPTIONAL FOR THROUGH HOLES, (16 PLACES).
 - RECOMMENDED PLATING INCLUDES HASL, IMMERSION (GOLD OR SILVER), AND OSP.
 - HOLE PATTERN REPEATS FOR EACH PORT, SPACING BETWEEN PORTS IS 14.25 mm.

FUNCTIONAL SYMBOLS		THIS DRAWING CONTAINS INFORMATION THAT IS PROPRIETARY TO MOLEX ELECTRONIC TECHNOLOGIES, LLC AND SHOULD NOT BE USED WITHOUT WRITTEN PERMISSION		CURRENT REV DESC: SEE REVISION TABLE	
$\frac{F}{A} = 0$	DIMENSION UNITS	SCALE			
	mm	3.5:1			
GENERAL TOLERANCES (UNLESS SPECIFIED)					
ANGULAR TOL $\pm 1.0^\circ$					
4 PLACES \pm					
3 PLACES \pm					
2 PLACES ± 0.13					
1 PLACE ± 0.25					
0 PLACES \pm					
DRAFT WHERE APPLICABLE MUST REMAIN WITHIN DIMENSIONS		THIRD ANGLE PROJECTION	DRAWING	SERIES	MATERIAL NUMBER
			C-SIZE	74728	747280001
		CUSTOMER		SHEET NUMBER	
		GENERAL MARKET		2 OF 5	

