

Slide Beam2424-120

SKU: 60826 Weight: 74.00 Gram

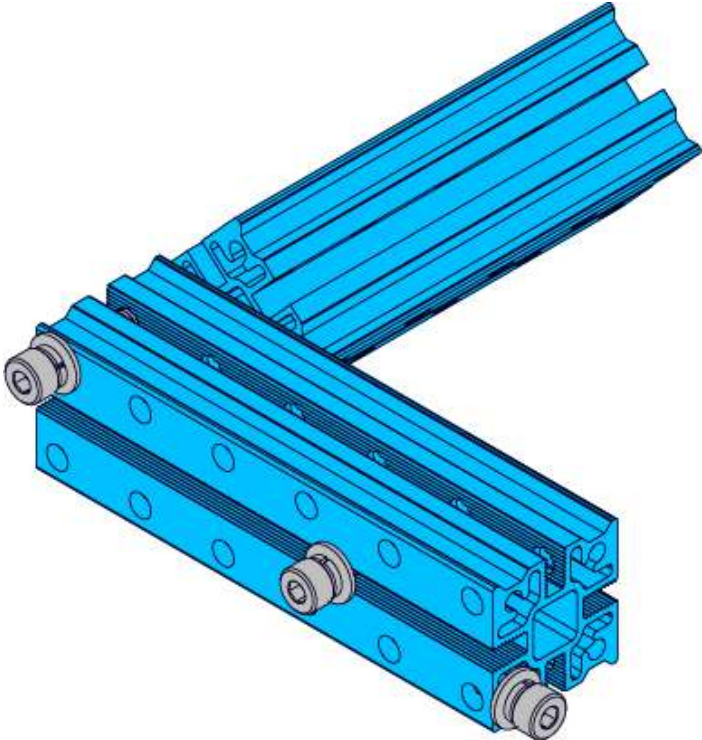
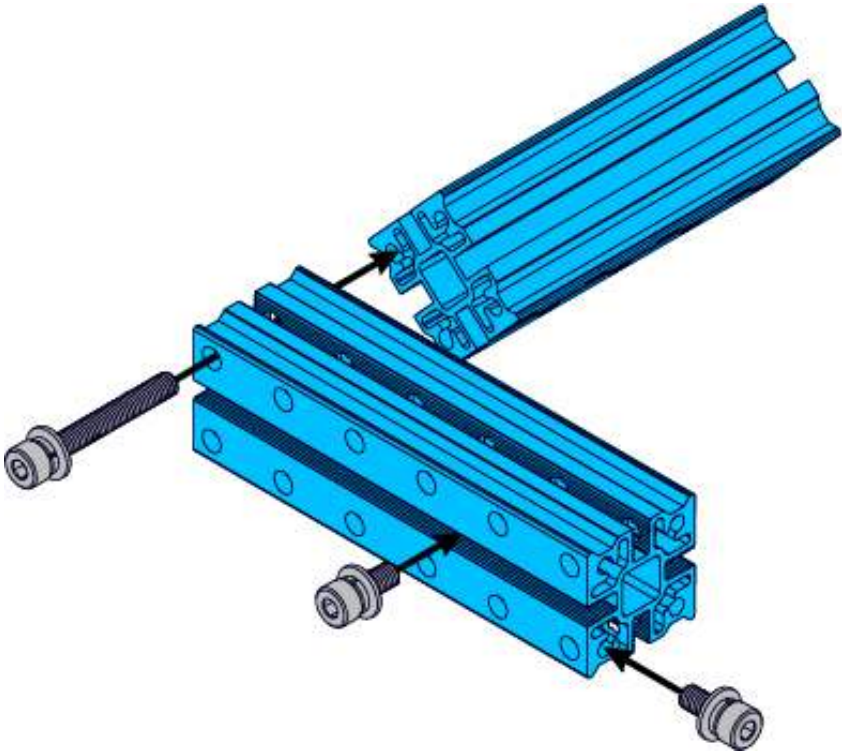
What Is Slide Beam2424-120?

Slide Beam2424-120 is a frequently-used mechanical part of Makeblock platform, and also compatibles with most Makeblock mechanical components. There are various mounting holes and a threaded slot on the plane of this beam which allow you to assemble on other structures easily.

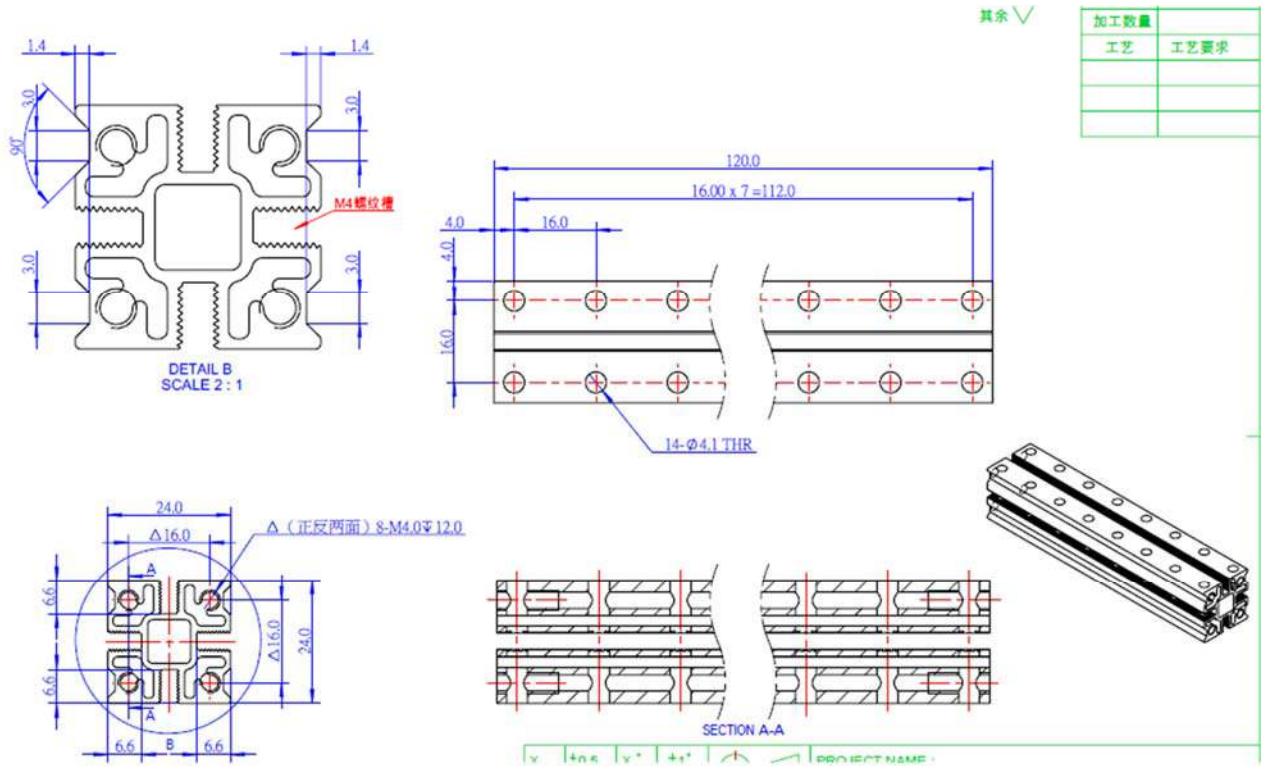
Features

- ? Made from heavy-duty 6061 aluminum extrusion and has a nice appearance. With holes on 16mm increments, and M4 threaded holes on both ends.
- ? High wear resistance, strong rigidity and high intensity.
- ? Cross-section area: 24*24mm, length: 120mm.

DEMO



Size Charts



Specifications	
SKU	60826
Product Name	Slide Beam2424-120
Length	120mm
Cross-section Area	24x24x120mm
Gross Weight	74g(2.61oz)
Package Content (Quantity x Part Name)	1 x Slide Beam2424-120

https://store.makeblock.com/index.php?route=product/product&product_id=6851/2-7-19