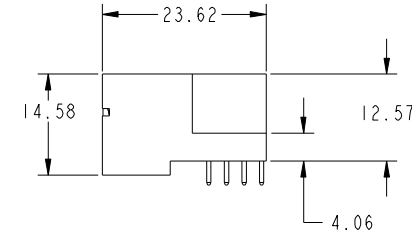
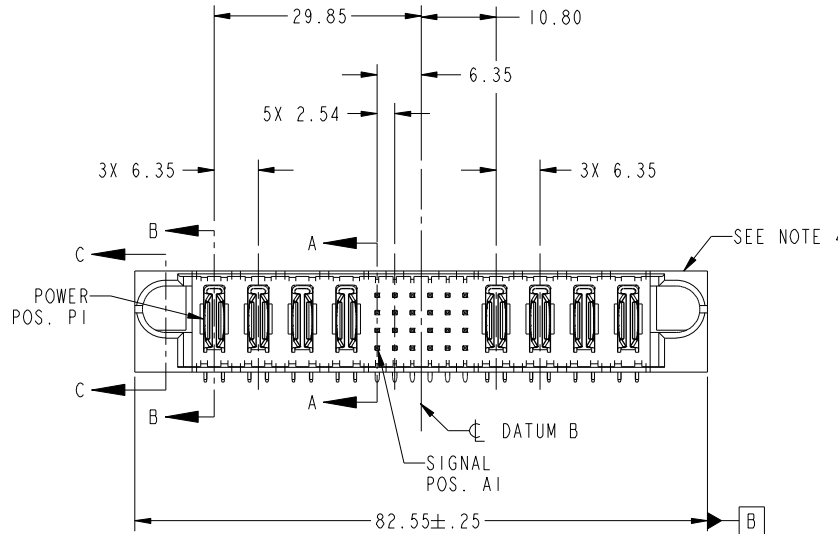


Tous droits strictement réservés. Reproduction ou communication a des tiers interdite sous quelque forme que ce soit sans autorisation écrite du propriétaire. Propriété de c FCI. Droits de reproduction FCI.

All rights strictly reserved. Reproduction or issue to third parties in any form whatever is not permitted without written authority from the proprietor. Property of FCI. Copyright FCI.



PRODUCT NO.	ROWS	POWER				SIGNAL						POWER				E2
		E1	P1	P2	P3	P4	1	2	3	4	5	6	P5	P6	P7	
51730-103-- NOTE: 3	D C B A															



CODE	DIM "M" MATING LENGTH	CONTACT TYPE
E	[5.59]	SIGNAL
R	[6.86]	SIGNAL
S	[6.86]	SIGNAL
T	[6.86]	SIGNAL
U	[6.86]	SIGNAL
PA	[N/A]	POWER

mat'l code				SEE NOTE		tolerances unless otherwise specified		CUSTOMER		FCI	
ltr	ecn no.	dr	date	linear	0.X ± 0.5	projection		COPY		www.fciconnect.com	
A	V04-0948	TAB	09/22/04		0.XX ± 0.25	M M		title		4P + 24S + 4P	
B	DG05-0463	CS	11/14/05	angles	0.XXX ± 0.10	1:1		product family		PwrBlade	
C	DG07-0498	JW	09/15/08		0° ± 2°	scale		size		code	
				dr	T. BRUNGARD 09/22/04			dwg no		213	
				enrg	M. GRAY 09/22/04			51730-103		sheet	
				chr	M. GRAY 09/22/04			A		1 of 4	
				appd	M. GRAY 09/22/04			cage code		22526	
sheet index	revision sheet	C	C	C	C						
		1	2	3	4						

Pro/E

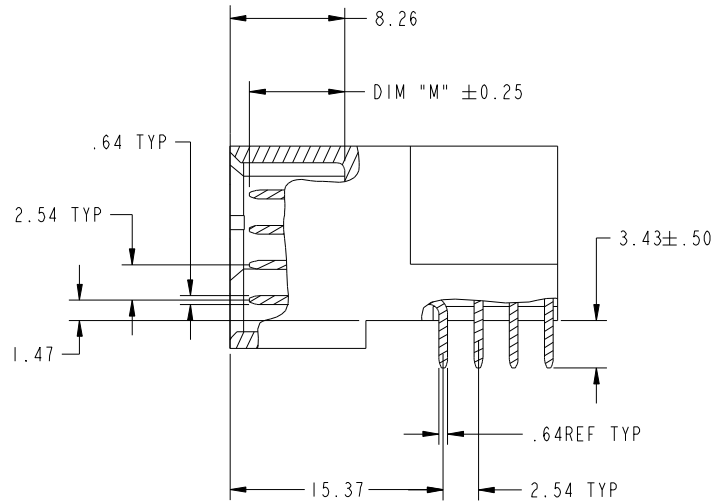
cage code 22526

Tous droits strictement reserves. Reproduction ou communication a des tiers interdite sous quelque forme que ce soit sans autorisation écrite du propriétaire. Propriete de c FCI. Droits de reproduction FCI.

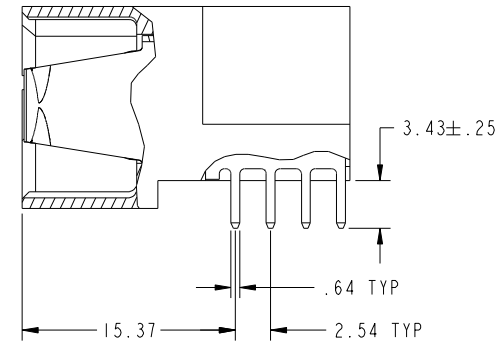


All rights strictly reserved. Reproduction or issue to third parties in any form whatever is not permitted without written authority from the proprietor. Property of FCI. Copyright FCI.

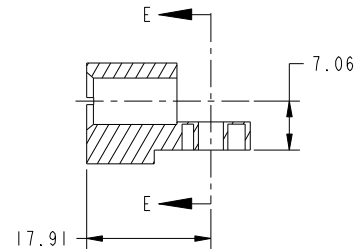
PRODUCT NUMBER  
51730-103--  
NOTE: 3



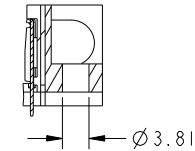
BROKEN-OUT SECTION A-A  
SCALE 2:1



BROKEN-OUT SECTION B-B  
SCALE 2:1



SECTION C-C



PARTIAL SECTION E-E

mat'l code		SEE NOTE		tolerances unless otherwise specified		CUSTOMER		www.fciconnect.com	
ltr	ecn no.	dr	date	linear	0.X ±0.5	COPY		title	
C					0.XX ±0.25	projection		4P + 24S + 4P RIGHT ANGLE SOLDER HEADER	
				angles	0.XXX ±0.10			product family PwrBlade code	
		dr	T. BRUNGARD	09/22/04	0° ±2°			size	
		enr	M. GRAY	09/22/04		scale		213	
		chr	M. GRAY	09/22/04		1:1		dwg no	
		appd	M. GRAY	09/22/04		A		51730-103	
sheet index		revision sheet						sheet	
								2	

cage code 22526

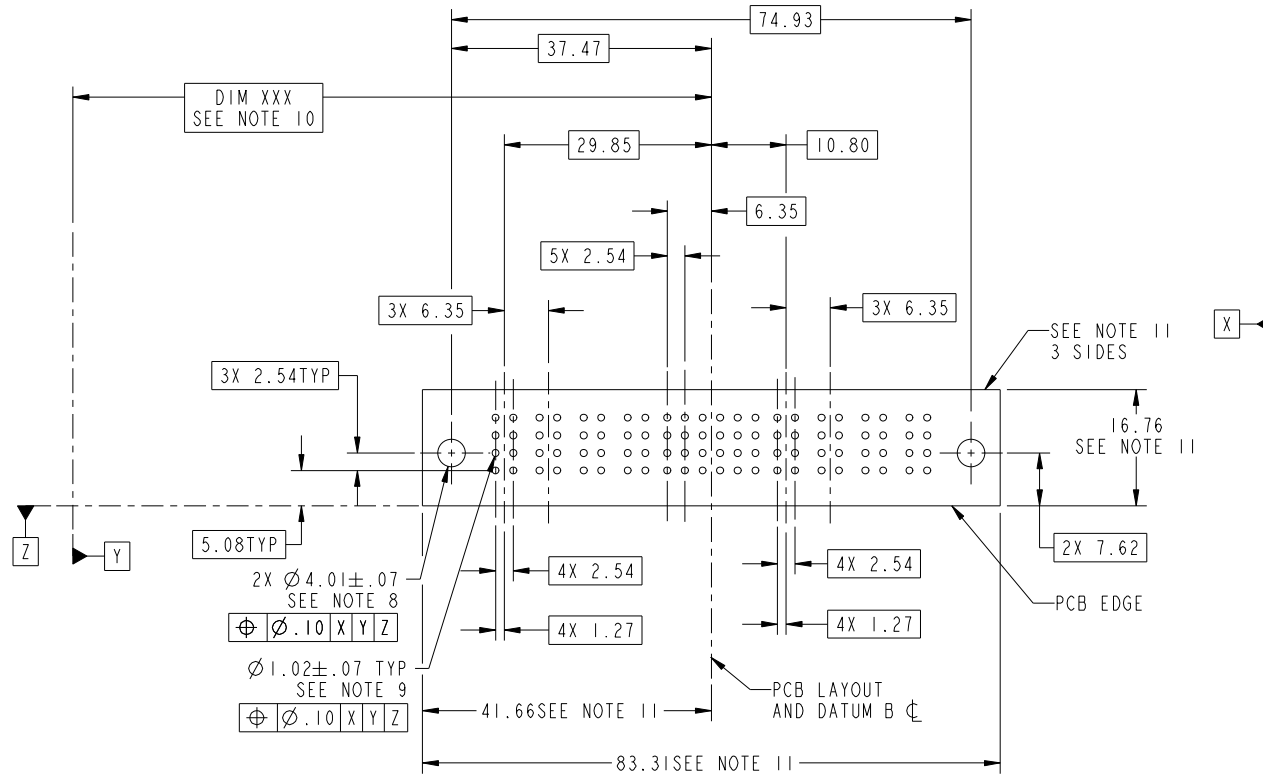
Pro/E

Tous droits strictement reserves. Reproduction ou communication a des tiers interdite sous quelque forme que ce soit sans autorisation ecrite du proprietaire. Propriete de c FCI. Droits de reproduction FCI.



All rights strictly reserved. Reproduction or issue to third parties in any form whatever is not permitted without written authority from the proprietor. Property of FCI. Copyright FCI.

PRODUCT NUMBER  
51730-103\_-  
NOTE: 3



RECOMMENDED PCB LAYOUT

mat'l code		SEE NOTE		tolerances unless otherwise specified		CUSTOMER		www.fciconnect.com	
ltr	ecn no.	dr	date	linear	0.X ± 0.5	COPY		title	
C					0.XX ± 0.25	projection		4P + 24S + 4P	
				angles	0.XXX ± 0.10			RIGHT ANGLE SOLDER HEADER	
				dr	0 ± 2°			product family PwrBlade code	
				enr	T. BRUNGARD 09/22/04	scale		213	
				chr	M. GRAY 09/22/04	1:1		size dwg no	
				appd	M. GRAY 09/22/04	A		51730-103 sheet	
sheet index	revision sheet							3	

cage code 22526

Pro/E

Tous droits strictement reserves. Reproduction ou communication a des tiers interdite sous quelque forme que ce soit sans autorisation écrite du propriétaire. Propriete de c FCI. Droits de reproduction FCI.



All rights strictly reserved. Reproduction or issue to third parties in any form whatever is not permitted without written authority from the proprietor. Property of FCI. Copyright FCI.

PRODUCT NUMBER  
51730-103--  
NOTE: 3

NOTES:

1. DIMENSIONS AND TOLERANCES ARE IN ACCORDANCE WITH ASME Y14.5M, 1994 UNLESS OTHERWISE SPECIFIED.

CONNECTOR NOTES:

- 2. HOUSING MATERIAL: UL 94 V-0 GLASS FILLED  
HIGH-TEMP THERMOPLASTIC  
POWER CONTACT MATERIAL: COPPER ALLOY  
SIGNAL PIN MATERIAL: COPPER ALLOY
- 3. PLATING:  
SEE ITEM 1 & 2 IN PRINT 10064183 FOR PLATING SPEC OF 51730-103; 51730-103LF PRESPECTIVELY
- 4. MANUFACTURER'S NAME, P/N, AND DATE CODE TO APPEAR ON THIS SURFACE.
- 5. PRODUCT SPECIFICATION GS-12-149.  
APPLICATION SPECIFICATION BUS-20-067.
- 6. PACKAGED IN TRAYS.

PCB NOTES:

- 7. ALL HOLE DIAMETERS ARE FINISHED HOLE SIZE.
- 8. MOUNTING HOLES, WHERE APPLICABLE, ARE UNPLATED.
- 9.  $\varnothing 1.151 \pm 0.025$  DRILLED HOLES PLATED WITH 0.008 MIN SnPb OR Sn OVER 0.03 TO 0.08 Cu PLATING TO ACHIEVE  $\varnothing 1.02 \pm .07$  HOLE.
- 10. "DIM XXX" TO BE DETERMINED BY THE CUSTOMER.
- 11. CONNECTOR KEEP-OUT ZONE.

12. A  $\triangle$  SYMBOL WILL BE NEXT TO ANY DIMENSION, VIEW, OR NOTE WHICH HAS BEEN MODIFIED WITH THE CURRENT DRAWING REVISION.

mat'l code		SEE NOTE		tolerances unless otherwise specified		CUSTOMER		FCI		www.fciconnect.com	
ltr	ecr no.	dr	date	linear	0.X ± 0.5	COPY		projection		title 4P + 24S + 4P RIGHT ANGLE SOLDER HEADER	
C					0.XX ± 0.25	MIM					
				angles	0.XXX ± 0.10	← MIM →					
				dr	T. BRUNGARD 09/22/04	scale		product family		PwrBlade	code
				enrg	M. GRAY 09/22/04	1:1		size	dwg no		213
				chr	M. GRAY 09/22/04	A		51730-103		sheet	
				appd	M. GRAY 09/22/04					4	
sheet index	revision sheet										

cage code 22526

Pro/E