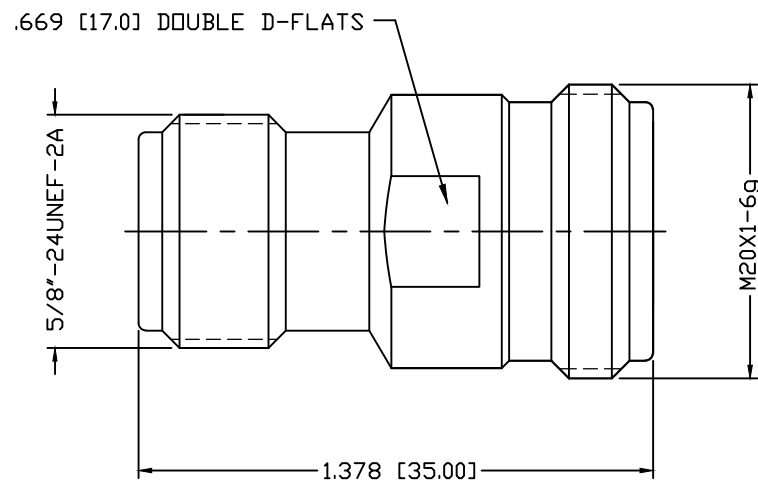


PART NO.

RFN-1047-4

REV	DESCRIPTION	DWN	DATE	APPROVED
B	UPDATED SPECS	CZS	03/09/17	JDMc

**SPECIFICATIONS:**

IMPEDANCE: 50 Ohms
 FREQUENCY RANGE: 0–7.5 GHz
 MAX. PIM: <–160dBc (1900 MHz)
 VSWR: 0 TO 3 GHz <1.10:1
 VSWR: 3 TO 7.5 GHz <1.25:1
 INSERTION LOSS: 0.05 dB MAX. @ 3.0 GHz
 INSULATION RESISTANCE: 5K MOhms
 WORKING VOLTAGE: 1200 vrms MAX.
 MATING CYCLES: 500
 TEMPERATURE RANGE: –55°C TO 165°C

CUSTOMER
 OUTLINE DRAWING
 ALL DIMENSIONS
 ARE REFERENCE ONLY

UNLESS OTHERWISE SPECIFIED:
 DIMENSIONS ARE IN INCHES
 AND [MILLIMETERS]

DRAWN	C. ZUNIGA	03/09/17
CHECKED		
ORJ DRAWN	C. ZUNIGA	03/18/14

RoHS
COMPLIANT

PROPRIETARY AND CONFIDENTIAL
 THIS DRAWING CONTAINS
 INFORMATION PROPRIETARY TO
 RF INDUSTRIES. ANY
 UNAUTHORIZED USE OF THIS
 DRAWING IS EXPRESSLY
 PROHIBITED WITHOUT WRITTEN
 PERMISSION FROM RF
 INDUSTRIES. ANY VIOLATION IS
 PUNISHABLE UNDER U.S.
 COPYRIGHT LAWS.

RFconnectors
 DIVISION OF RF INDUSTRIES, LTD.

7610 MIRAMAR RD.
 SAN DIEGO, CA 92126
 (858) 549-6340
 (858) 549-6345 FAX

**N JACK TO
 4.1/9.5 JACK ADAPTER**

SIZE	CABLE GROUP	DWG NO.	REV
A	N/A	RFN-1047-4	B
SCALE:	ENGINEERING ID:	SHEET 1 OF 1	
NTS	001787		

#	DESCRIPTION	QTY	MATERIAL	FINISH
3	CONTACT	1	PHOS. BRONZE	SILVER
2	INSULATOR	1	PTFE	---
1	BODY	1	BRASS	WHITE BRONZE