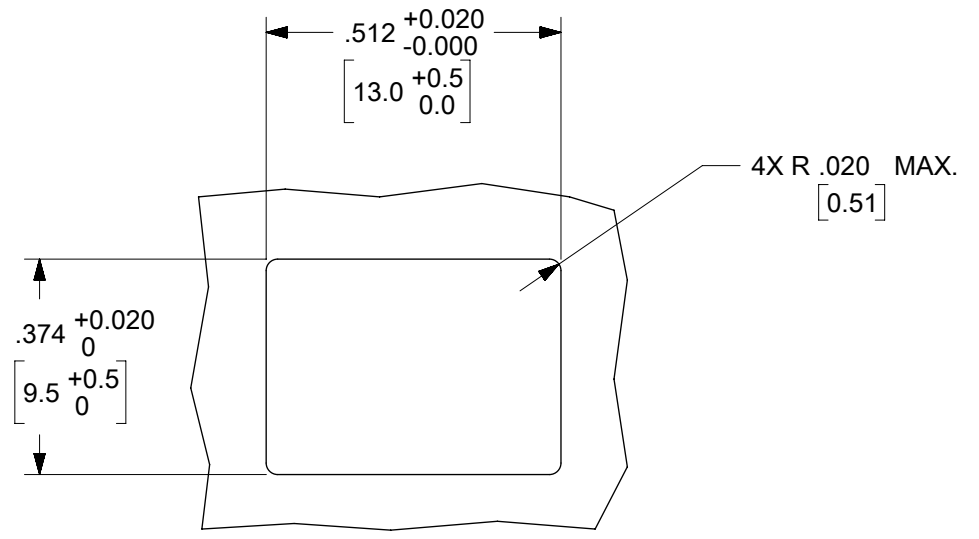
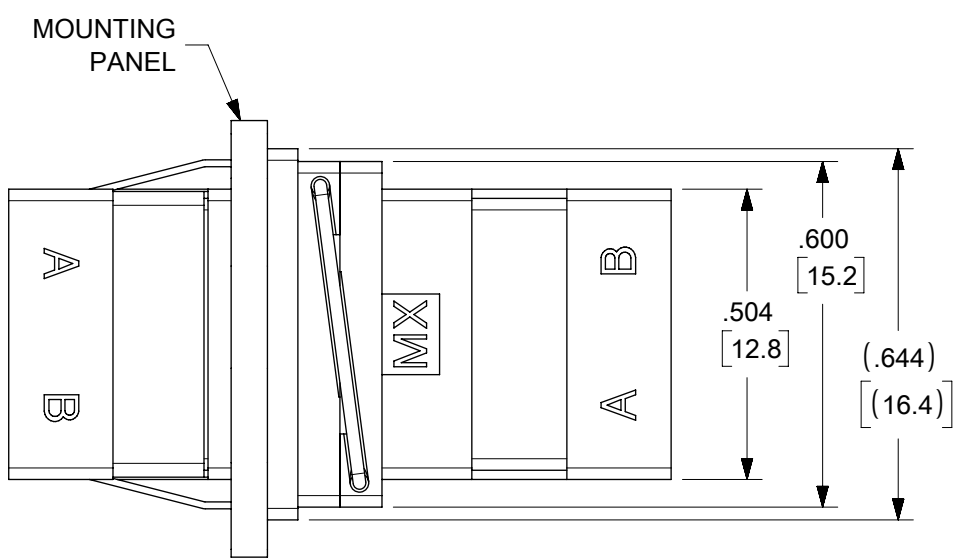
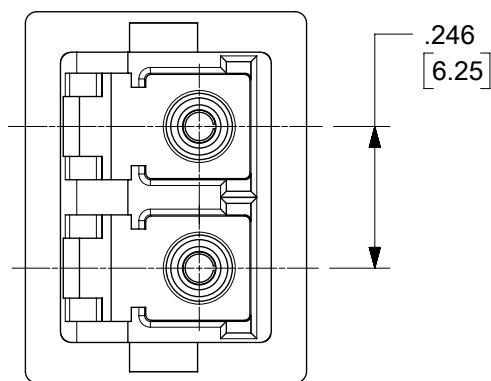
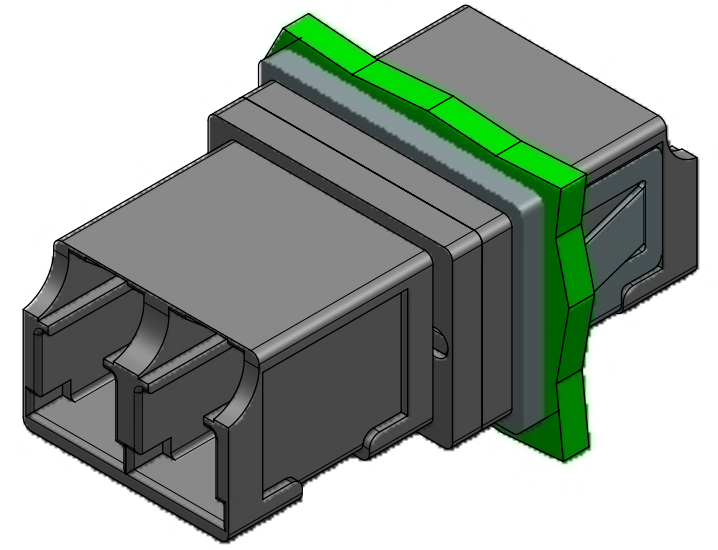
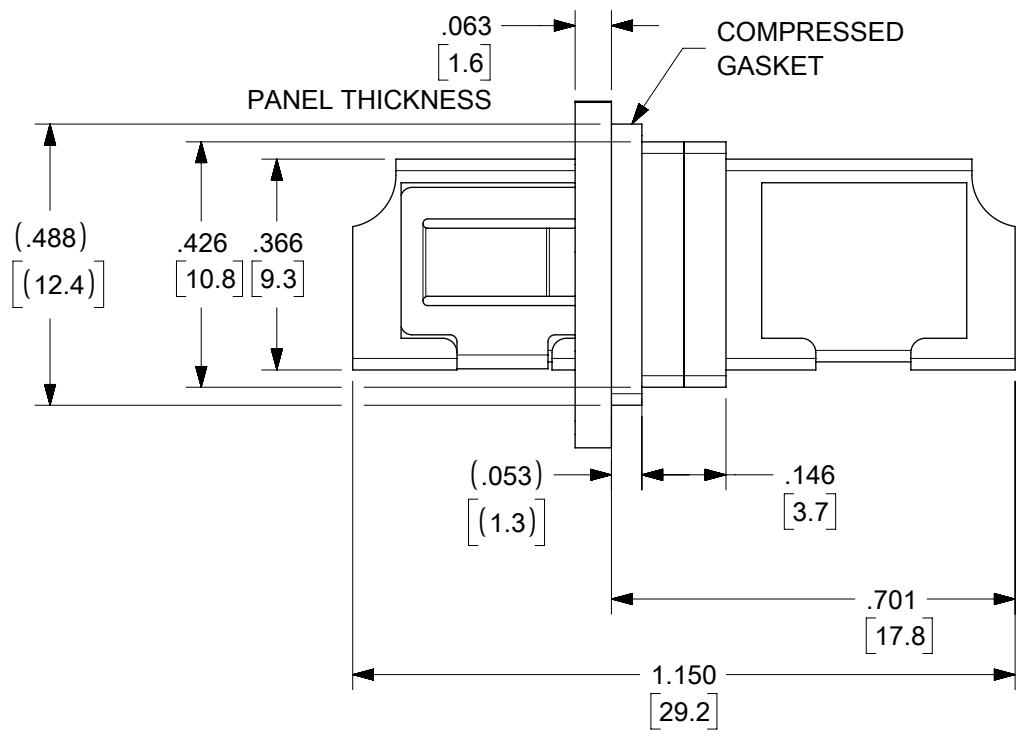


ADAPTER P/N	SPLIT SLEEVE MATERIAL
1061152100	Zirconia Ceramic
1061152106	Phosphor Bronze



RECOMMENDED MOUNTING PANEL CUTOUT
PANEL THICKNESS - 0.63 [1.6]

NOTES:

- ALL DIMENSIONS ARE FOR REFERENCE ONLY. UNLESS OTHERWISE SPECIFIED TOLERANCES ARE ±0.25mm.
- CONDUCTIVE FABRIC OVER FOAM GASKET IS SUPPLIED WITH THE PART. COMPRESSED GASKET DIMENSIONS ARE DETERMINED BY MOUNTING PANEL THICKNESS.
- PART IS DIECAST.
- DUST CAPS ARE NOT SHOWN.
- PACKAGING: 25 ADAPTERS PER TRAY AND 4 TRAYS PER BOX. PACKING TRAY AND SHIPPING CONTAINER ARE LABELED WITH MX P/N AND REVISION.

THIS DRAWING CONTAINS INFORMATION THAT IS PROPRIETARY TO MOLEX ELECTRONIC TECHNOLOGIES, LLC AND SHOULD NOT BE USED WITHOUT WRITTEN PERMISSION											
SYMBOLS		DIMENSION UNITS		SCALE		CURRENT REV DESC:				molex	
▽ = 0		HYBRID		3:1		EC NO: 615474					
▽ = 0		GENERAL TOLERANCES (UNLESS SPECIFIED)				DRWN: IGUMIN 2019/04/10				LC-D EMI ADAPTER, (SNAP MOUNT)	
▽ = 0		ANGULAR TOL ± 0.5°				CHK'D: WCHEN 2019/04/11					
▽ = 0		4 PLACES ±				APPR: WCHEN 2019/04/11				PRODUCT CUSTOMER DRAWING	
▽ = 0		3 PLACES ±				INITIAL REVISION:					
▽ = 0		2 PLACES ±				DRWN: PGIBLIN 2006/01/09				DOCUMENT NUMBER	
▽ = 0		1 PLACE ±				APPR: IGUMIN 2006/01/09				SD-106115-210X	
▽ = 0		0 PLACES ±				DRAFT WHERE APPLICABLE MUST REMAIN WITHIN DIMENSIONS				DOC TYPE DOC PART REVISION	
▽ = 0		THIRD ANGLE PROJECTION		DRAWING		SERIES		MATERIAL NUMBER		CUSTOMER	
▽ = 0		B-SIZE		106115		SEE TABLE		1 OF 1			