

Mechanically held lighting contactor, Contactor amp rating 60A, 0 N.C. / 4 N.O. poles, 220VAC 50HZ/240VAC 60HZ coil, Non-combination type, Enclosure NEMA type 1, Indoor general purpose use

|  |  |
|--|--|
| product brand name   | Class CLM  |
| design of the product  | Magnetically latched lighting contactor  |
| special product feature  | Energy efficient; Quiet operation  |
| <b>General technical data</b>  |  |
| weight [lb]  | 8 lb   |
| Height x Width x Depth [in]  | 11 × 7 × 5 in  |
| touch protection against electrical shock  | NA for enclosed products   |
| installation altitude [ft] at height above sea level maximum   | 6560 ft  |
| country of origin  | USA  |
| <b>Contactors</b>  |  |
| size of contactor  | 60 Amp   |
| number of NO contacts for main contacts  | 4  |
| number of NC contacts for main contacts  | 0  |
| operating voltage for main current circuit at AC at 60 Hz maximum  | 600 V  |
| mechanical service life (operating cycles) of the main contacts typical  | 10000000   |
| contact rating of the main contacts of lighting contactor  |  |
| <ul style="list-style-type: none"> <li>• at tungsten (1 pole per 1 phase) rated value</li> <li>• at tungsten (2 poles per 1 phase) rated value</li> <li>• at tungsten (3 poles per 3 phases) rated value</li> <li>• at ballast (1 pole per 1 phase) rated value</li> <li>• at ballast (2 poles per 1 phase) rated value</li> <li>• at ballast (3 poles per 3 phases) rated value</li> <li>• at resistive load (1 pole per 1 phase) rated value</li> <li>• at resistive load (2 poles per 1 phase) rated value</li> <li>• at resistive load (3 poles per 3 phases) rated value</li> </ul> | 60A @277V 1p 1ph<br>60A @480V 2p 1ph<br>60A @480V 3p 3ph<br>60A @347V 1p 1ph<br>60A @600V 2p 1ph<br>60A @600V 3p 3ph<br>60A @347V 1p 1ph<br>60A @600V 2p 1ph<br>60A @600V 3p 3ph |
| <b>Auxiliary contact</b>   |  |
| number of NC contacts for auxiliary contacts   | 0  |
| number of NO contacts for auxiliary contacts   | 0  |
| number of total auxiliary contacts maximum   | 4  |
| contact rating of auxiliary contacts of contactor according to UL  | NA   |
| <b>Coil</b>  |  |
| type of voltage of the control supply voltage  | AC   |
| control supply voltage   |  |
| <ul style="list-style-type: none"> <li>• at AC at 50 Hz rated value</li> <li>• at AC at 60 Hz rated value</li> </ul>   | 220 V<br>240 V   |
| apparent pick-up power of magnet coil at AC  | 600 VA   |
| apparent holding power of magnet coil at AC  | 40 VA  |
| operating range factor control supply voltage rated value of magnet coil   | 0.85 ... 1.1   |
| <b>Enclosure</b>   |  |
| degree of protection NEMA rating of the enclosure  | NEMA 1 enclosure   |
| design of the housing  | indoors, usable on a general basis   |
| <b>Mounting/wiring</b>   |  |
| mounting position  | Vertical   |
| fastening method   | Surface mounting and installation  |
| type of electrical connection for supply voltage line-side   | Box lug  |
| tightening torque [lbf-in] for supply  | 45 ... 50 lbf-in   |
| type of connectable conductor cross-sections at line-side for AWG cables single or multi-stranded  | 1x (14 ... 4 AWG)  |

|  |                      |
|--|----------------------|
| temperature of the conductor for supply maximum permissible  | 75 °C                |
| material of the conductor for supply   | AL or CU             |
| type of electrical connection for load-side outgoing feeder  | Box lug              |
| tightening torque [lbf-in] for load-side outgoing feeder   | 45 ... 50 lbf-in     |
| type of connectable conductor cross-sections for AWG cables for load-side outgoing feeder single or multi-stranded | 1x (14 ... 4 AWG)    |
| temperature of the conductor for load-side outgoing feeder maximum permissible                                     | 75 °C                |
| material of the conductor for load-side outgoing feeder  | AL or CU             |
| type of electrical connection of magnet coil   | Screw-type terminals |
| tightening torque [lbf-in] at magnet coil  | 8 ... 12 lbf-in      |
| type of connectable conductor cross-sections of magnet coil for AWG cables single or multi-stranded                | 2x (16 ... 12 AWG)   |
| temperature of the conductor at magnet coil maximum permissible  | 75 °C                |
| material of the conductor at magnet coil   | CU                   |

#### Short-circuit current rating

|  |                                      |
|--|--------------------------------------|
| design of the fuse link for short-circuit protection of the main circuit required                    | none                                 |
| design of the short-circuit trip   | Thermal magnetic circuit breaker     |
| maximum short-circuit current breaking capacity (I <sub>cu</sub> )                                   |                                      |
| <ul style="list-style-type: none"> <li>• at 240 V</li> <li>• at 480 V</li> <li>• at 600 V</li> </ul> | 5 kA<br>5 kA<br>5 kA                 |
| certificate of suitability   | NEMA ICS 2; UL 508; CSA 22.2, No. 14 |

#### Further information

Industrial Controls - Product Overview (Catalogs, Brochures,...)

[www.usa.siemens.com/iccatalog](http://www.usa.siemens.com/iccatalog)

Industry Mall (Online ordering system)

<https://mall.industry.siemens.com/mall/en/us/Catalog/product?mlfb=US2:CLM1D04240>

Service&Support (Manuals, Certificates, Characteristics, FAQs,...)

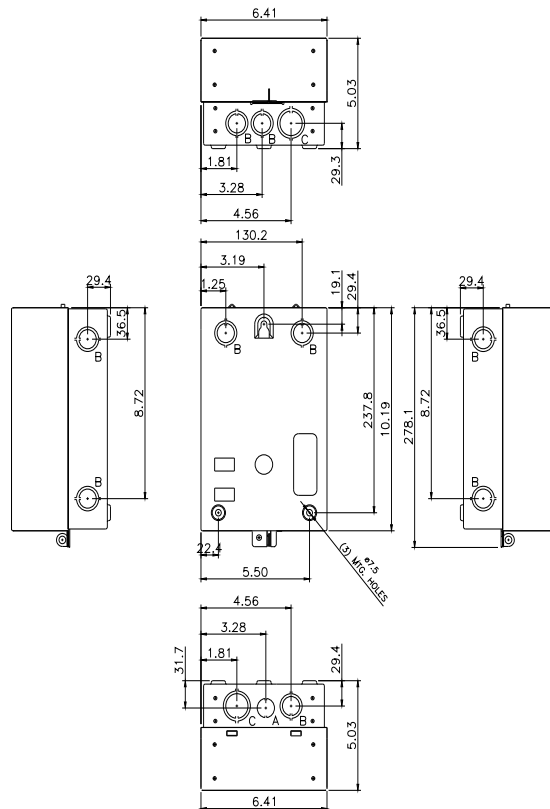
<https://support.industry.siemens.com/cs/US/en/ps/US2:CLM1D04240>

Image database (product images, 2D dimension drawings, 3D models, device circuit diagrams, EPLAN macros, ...)

[http://www.automation.siemens.com/bilddb/cax\\_de.aspx?mlfb=US2:CLM1D04240&lang=en](http://www.automation.siemens.com/bilddb/cax_de.aspx?mlfb=US2:CLM1D04240&lang=en)

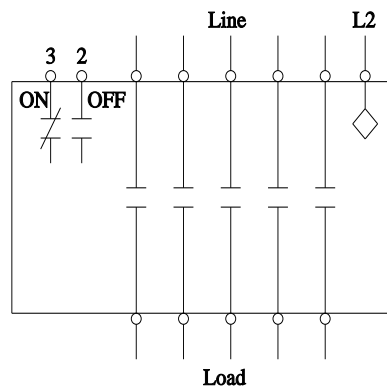
Certificates/approvals

<https://support.industry.siemens.com/cs/US/en/ps/US2:CLM1D04240/certificate>



| LETTER | KNOCKOUT & CONDUIT SIZE             |
|--------|-------------------------------------|
| A      | ø22.2 FOR 12.7 CONDUIT              |
| B      | ø22.2 X ø28.6 FOR 12.7 & 19 CONDUIT |
| C      | ø28.6 X ø34.9 FOR 19 & 25.4 CONDUIT |

## Wiring Diagram Class CLM 30-200 Amp 2, 3, 4 and 5 Pole



### Notes:

1. Dotted lines represent additional poles.  
Contactor may have 2, 3, 4 or 5 poles.
2. Optional auxiliary contacts are not shown.

E87010-A0410-T009-A1-CLM-1

last modified:

1/25/2022 