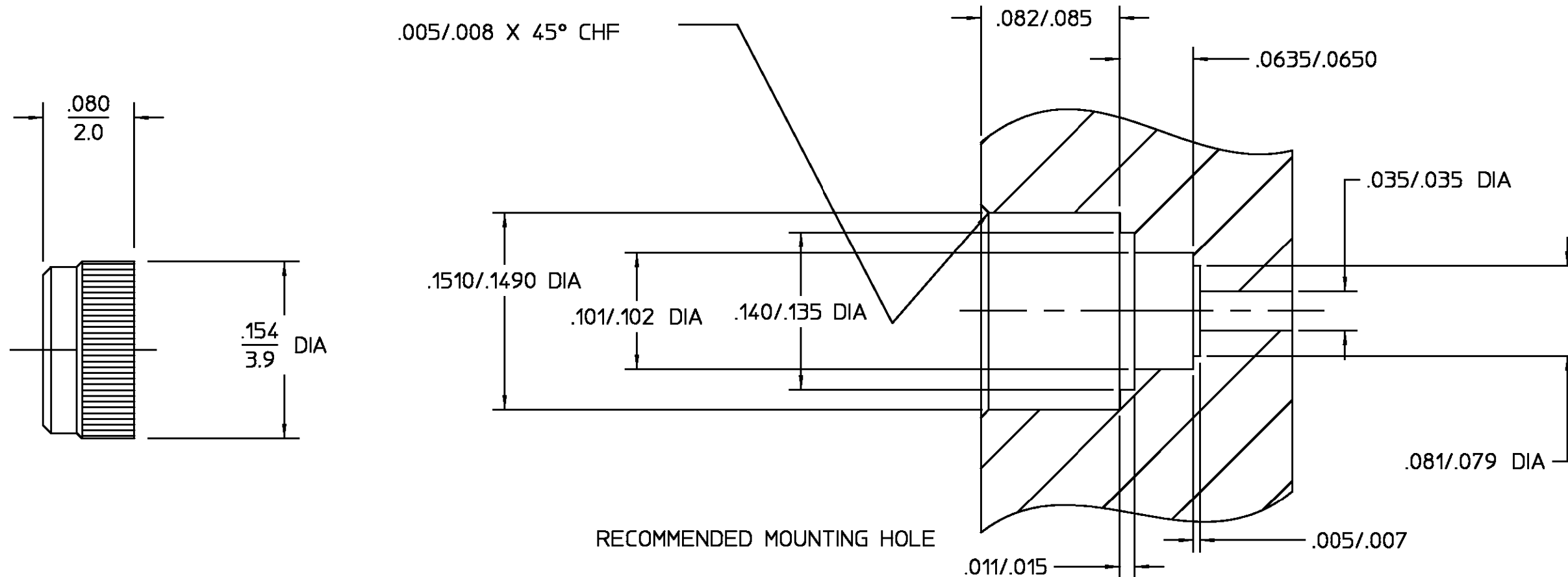


REVISIONS			
REV	DESCRIPTION	DATE	APPROVED
02 ₀	REVISED ECN 96-0048	5/28/96	<i>RAC</i>



HOUSING	STAINLESS STEEL PER ASTM-A484 AND ASTM- A582, TYPE 303	PASSIVATE PER ASTM-A380	
COMPONENT	MATERIAL	FINISH	
UNLESS OTHERWISE SPECIFIED DIMENSIONS ARE IN INCHES TOLERANCE ON FRAC. DEC. ANGLES ± 1/64 ± .005 ± 1°	DRAWN BY <i>BB</i> DATE 7/12/94	AMP Incorporated 140 Fourth Avenue Waltham, MA 02451-7599	
	CHECKED BY		
These drawings and specifications are the property of M/A-COM Interconnect Division and shall not be reproduced or copied or used in whole or in part as the basis for the manufacture or sale of item(s) without written permission.	APPD BY <i>RAC</i> DATE 7/18/94	TITLE OSMP PRESS-IN SHROUD FULL DETENT	
	USE ASSY PROCEDURE	SIZE B	CODE IDENT NO. 26805
	NO. A.P. 29-007	2998-5035-02	
		SCALE 10=1	REV 02 ₀
		SHEET 1 OF 1	

.XXX = in
XX.X = mm

CUSTOMER DRAWING

AMP PART # 1056736-1
SHEET 1 OF 1 REV A