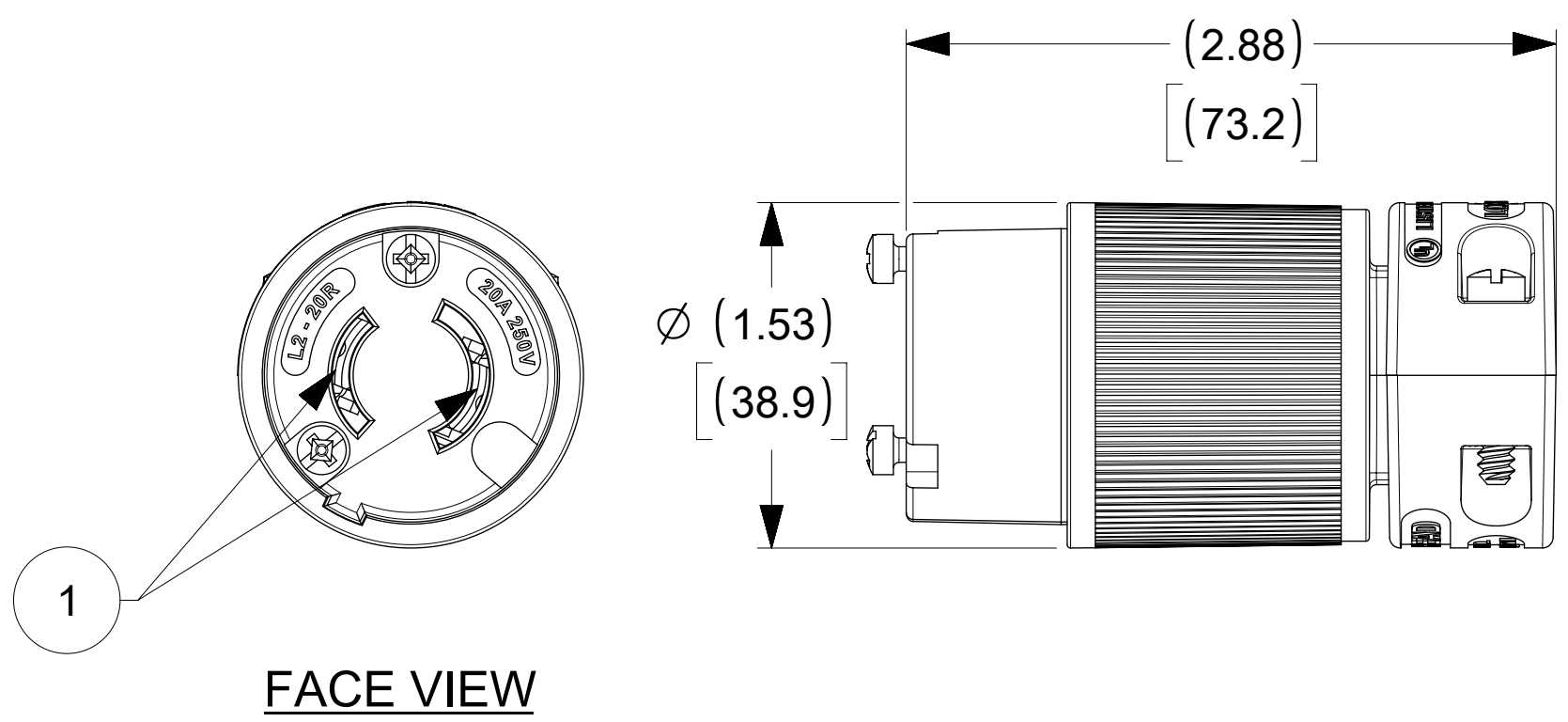
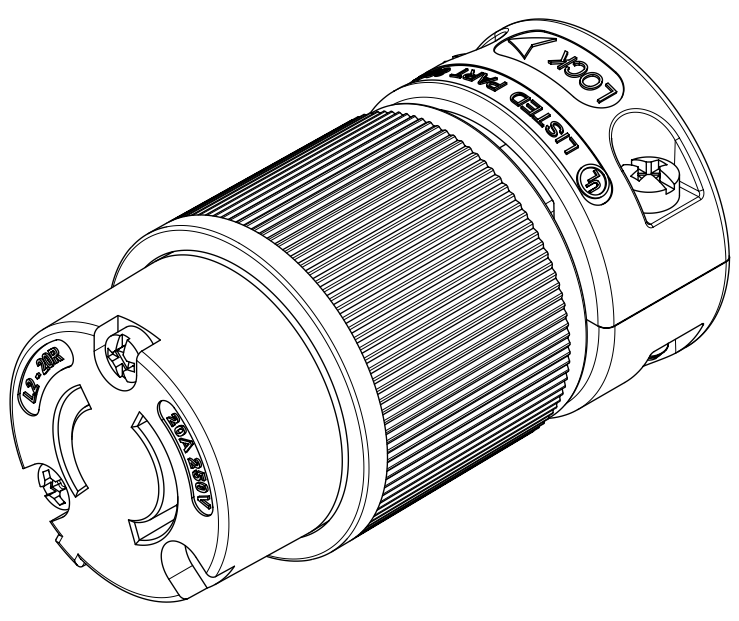
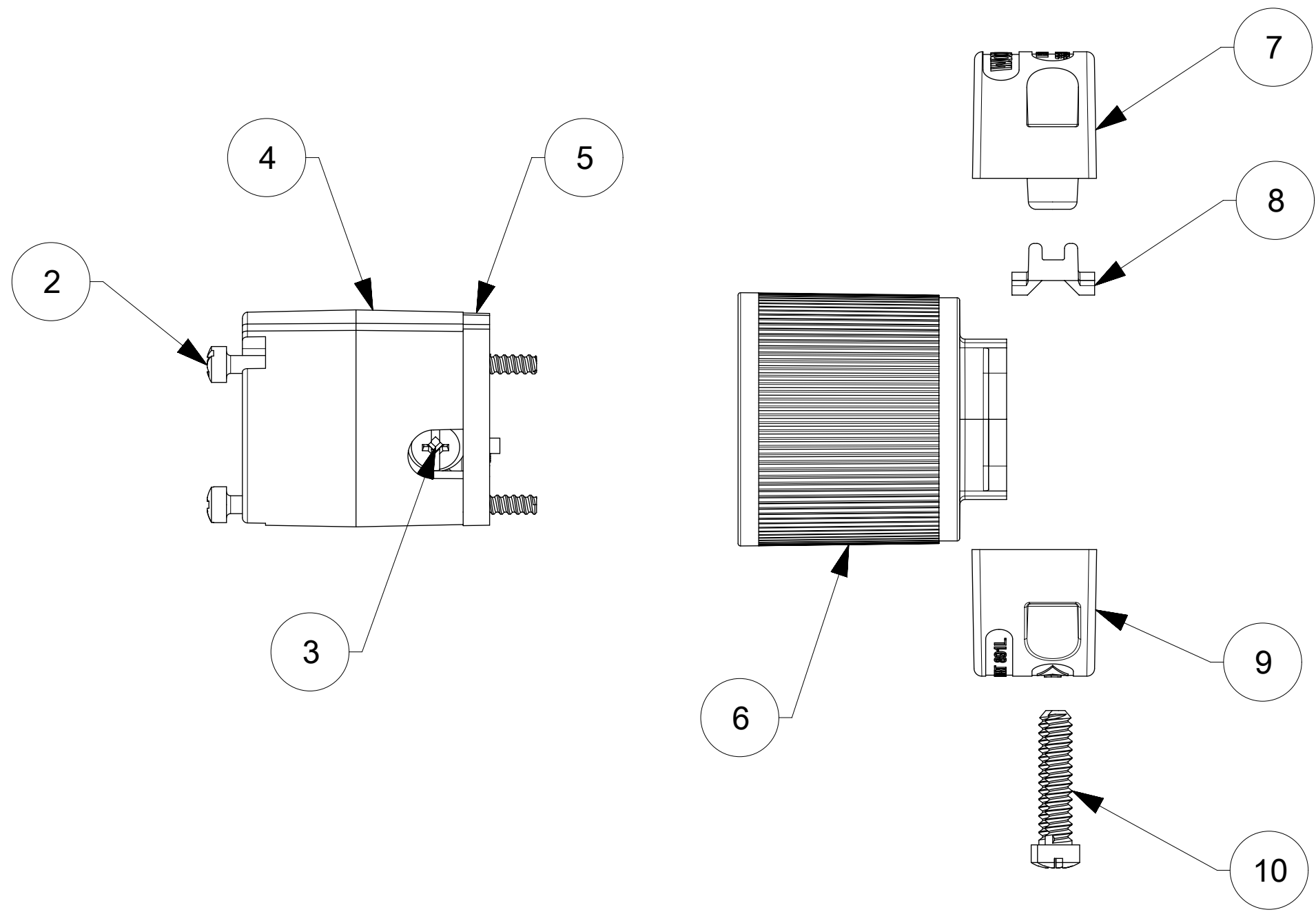
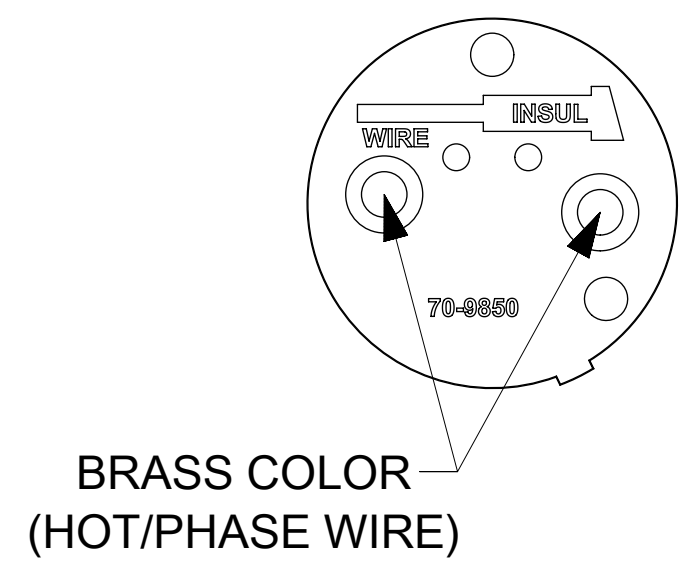


ORDER NO.	WOODHEAD NO.	COLOR
130144-0022	27T07	BLACK



WIRING TERMINATION



ITEM NO.	DESCRIPTIONS	MATERIAL	QTY.
1	BLADES	BRASS, NICKEL PLATED	2
2	RETAINING SCREWS	STAINLESS STEEL	2
3	TERMINAL SCREWS/CLAMP ASSEMBLY	BRASS, ZINC PLATED	2
4	INSERT	NYLON	1
5	TERMINAL COVER	POLYCARBONATE	1
6	HOUSING	NYLON	1
7	CLAMP CORD MALE	NYLON	1
8	CLAMP CORD INSERT	NYLON	1
9	CLAMP CORD FEMALE	NYLON	1
10	RETAINING SCREWS	STEEL, ZINC PLATED	2

THIS DRAWING CONTAINS INFORMATION THAT IS PROPRIETARY TO MOLEX ELECTRONIC TECHNOLOGIES, LLC AND SHOULD NOT BE USED WITHOUT WRITTEN PERMISSION			
DIMENSION UNITS: INCH[MM]		SCALE: NTS	
CURRENT REV DESC: NEW RELEASE			
GENERAL TOLERANCES (UNLESS SPECIFIED)		EC NO: 621724	
4 PLACES ±		DRWN: VBASUTHKARP 2019/03/07	
3 PLACES ±		CHK'D: DNGUYEN62 2019/11/19	
2 PLACES ±		APPR: HKNEELAND 2020/02/05	
1 PLACE ±		INITIAL REVISION:	
0 PLACES ±		DRWN: VBASUTHKARP 2019/03/07	
ANGULAR TOL ± °		APPR: HKNEELAND 2020/02/05	
DRAFT WHERE APPLICABLE MUST REMAIN WITHIN DIMENSIONS		THIRD ANGLE PROJECTION	
DRAWING SERIES: C-SIZE 130144		MATERIAL NUMBER: SEE TABLE	
CUSTOMER: GENERAL MARKET		SHEET NUMBER: 1 OF 1	

molex

SAFEWAY CONNECTOR TURNEX 2P2W L2-20

PRODUCT CUSTOMER DRAWING

DOCUMENT NUMBER: 1301440022

DOC TYPE: PSD

DOC PART: 000

REVISION: A