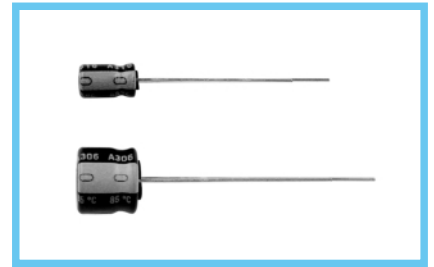
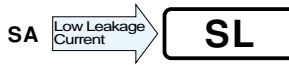


SL series 7mmL, Low Leakage Current



- Low leakage current series with 7mm height.
- Adapted to the RoHS directive (2002/95/EC).

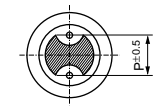
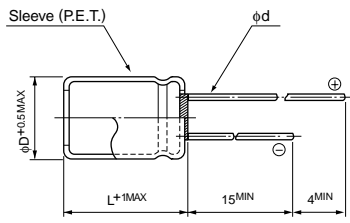
Products which are scheduled to discontinue.
Not recommended for new designs



Specifications

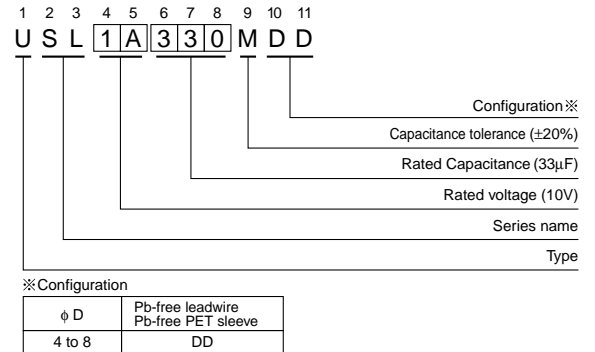
Item	Performance Characteristics																				
Category Temperature Range	-40 to +85°C																				
Rated Voltage Range	6.3 to 50V																				
Rated Capacitance Range	0.1 to 220μF																				
Capacitance Tolerance	±20% at 120Hz, 20°C																				
Leakage Current	After 2 minutes' application of rated voltage, leakage current is not more than 0.002CV or 0.4 (μA), whichever is greater.																				
tan δ	Measurement frequency : 120Hz, Temperature : 20°C																				
	<table border="1"> <tr> <td>Rated voltage (V)</td> <td>6.3</td> <td>10</td> <td>16</td> <td>25</td> <td>35</td> <td>50</td> </tr> <tr> <td>tan δ (MAX.)</td> <td>0.24</td> <td>0.20</td> <td>0.16</td> <td>0.14</td> <td>0.12</td> <td>0.10</td> </tr> </table>	Rated voltage (V)	6.3	10	16	25	35	50	tan δ (MAX.)	0.24	0.20	0.16	0.14	0.12	0.10						
Rated voltage (V)	6.3	10	16	25	35	50															
tan δ (MAX.)	0.24	0.20	0.16	0.14	0.12	0.10															
Stability at Low Temperature	Measurement frequency : 120Hz																				
	<table border="1"> <tr> <td>Rated voltage (V)</td> <td>6.3</td> <td>10</td> <td>16</td> <td>25</td> <td>35</td> <td>50</td> </tr> <tr> <td>Impedance ratio Z-25°C / Z+20°C</td> <td>4</td> <td>3</td> <td>2</td> <td>2</td> <td>2</td> <td>2</td> </tr> <tr> <td>ZT / Z20 (MAX.)</td> <td>8</td> <td>6</td> <td>4</td> <td>4</td> <td>3</td> <td>3</td> </tr> </table>	Rated voltage (V)	6.3	10	16	25	35	50	Impedance ratio Z-25°C / Z+20°C	4	3	2	2	2	2	ZT / Z20 (MAX.)	8	6	4	4	3
Rated voltage (V)	6.3	10	16	25	35	50															
Impedance ratio Z-25°C / Z+20°C	4	3	2	2	2	2															
ZT / Z20 (MAX.)	8	6	4	4	3	3															
Endurance	After 1000 hours' application of rated voltage at 85°C, capacitors meet the characteristic requirements listed at right.																				
	<table border="1"> <tr> <td>Capacitance change</td> <td>Within ±20% of initial value</td> </tr> <tr> <td>tan δ</td> <td>200% or less of initial specified value</td> </tr> <tr> <td>Leakage current</td> <td>Initial specified value or less</td> </tr> </table>	Capacitance change	Within ±20% of initial value	tan δ	200% or less of initial specified value	Leakage current	Initial specified value or less														
	Capacitance change	Within ±20% of initial value																			
tan δ	200% or less of initial specified value																				
Leakage current	Initial specified value or less																				
Shelf Life	After storing the capacitors under no load at 85°C for 1000 hours, and after performing voltage treatment based on JIS C 5101-4 clause 4.1 at 20°C, they will meet the specified value for endurance characteristics listed above.																				
Marking	Printed with white color letter on black sleeve.																				

Radial Lead Type



	(mm)			
φD	4	5	6.3	8
P	1.5	2.0	2.5	3.5
φd	0.45	0.45	0.45	0.5

Type numbering system (Example : 10V 33μF)



Dimensions

Cap. (μF)	Code	V		6.3		10		16		25		35		50	
		Code	0J	1A	1C	1E	1V	1H							
0.1	0R1													4 × 7	1.0
0.22	R22													4 × 7	2.3
0.33	R33													4 × 7	3.5
0.47	R47													4 × 7	5.0
1	010													4 × 7	10
2.2	2R2													4 × 7	19
3.3	3R3													4 × 7	24
4.7	4R7													4 × 7	29
10	100					4 × 7	29	5 × 7	33	4 × 7	24	5 × 7	36	6.3 × 7	44
22	220	4 × 7	34	5 × 7	38	5 × 7	44	6.3 × 7	51	6.3 × 7	57	6.3 × 7	57	8 × 7	65
33	330	5 × 7	42	5 × 7	47	6.3 × 7	57	6.3 × 7	63	8 × 7	72				
47	470	5 × 7	50	6.3 × 7	59	6.3 × 7	68	8 × 7	78						
100	101	6.3 × 7	77	8 × 7	96	8 × 7	107								
220	221	8 × 7	130											Case size φD × L (mm)	Rated Ripple

Rated Ripple (mArms) at 85°C 120Hz

Frequency coefficient of rated ripple current

Frequency	50 Hz	120 Hz	300 Hz	1 kHz	10 kHz or more
Coefficient	0.70	1.00	1.17	1.36	1.50

Please refer to page 20, 21, 22 about the formed or taped product spec.
Please refer to page 4 for the minimum order quantity.

CAT.8100W