

4

3

2

1

THIS DRAWING IS UNPUBLISHED.

RELEASED FOR PUBLICATION

© COPYRIGHT - BY TYCO ELECTRONICS CORPORATION.

ALL RIGHTS RESERVED.

LOC

DIST

REVISIONS

AJ

16

P

LTR

DESCRIPTION

DATE

DWN

APVD

C

REVISED PER ECO-10-008441

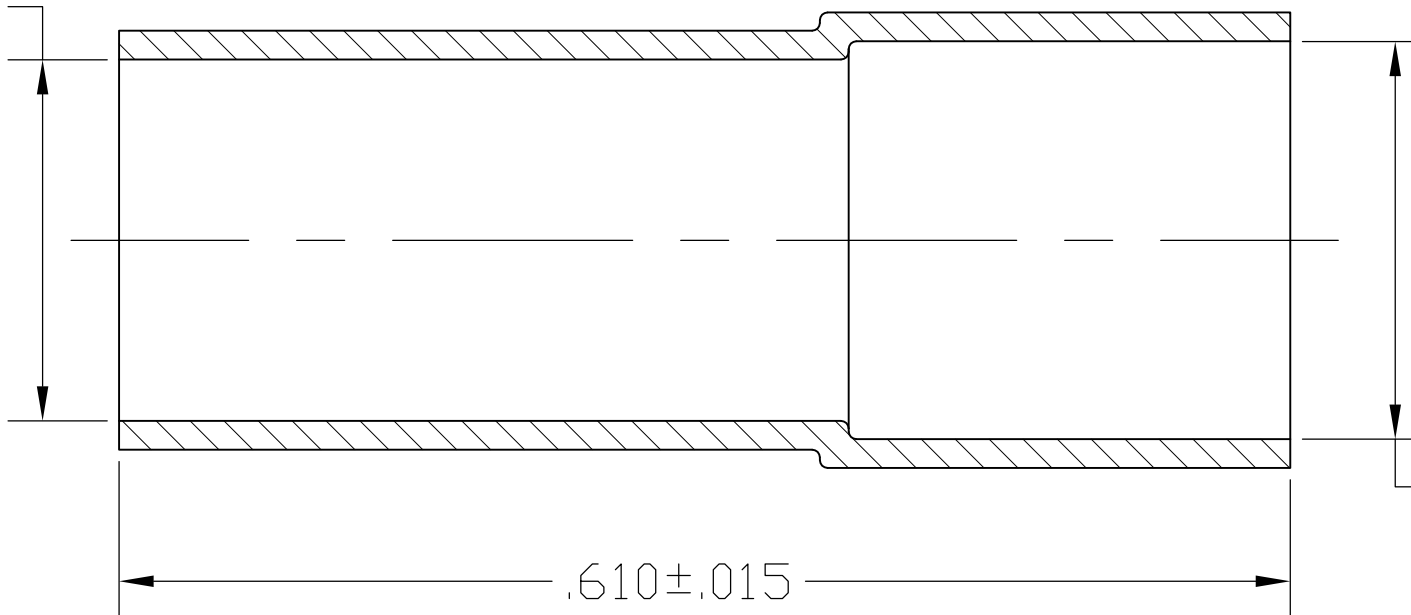
20MAY10

HMR

KW

- △1 COPPER ALLOY
- △2 TIN-LEAD PLATE PER ASTM-B-571
- △3 SILVER PLATE PER QQ-5-365.
- △4 MATTE TIN PLATE

∅.188^{+.005}_{-.002}



△4	△1	9-228783-0
△3	△1	228783-4
△2	△1	228783-3
FINISH	MATERIAL	PART NUMBER

THIS DRAWING IS A CONTROLLED DOCUMENT.		DWN R. SAMICK 30SEP03	Tyco Electronics Corporation Harrisburg, PA, 17105-3608													
DIMENSIONS: INCHES		CHK D. GRAVINA 30SEP03	NAME													
TOLERANCES UNLESS OTHERWISE SPECIFIED:		APVD D. GRAVINA 30SEP03	FERRULE, SPECIAL TEFLON JACKET													
<table border="0"> <tr> <td>0 PLC</td> <td>± -</td> </tr> <tr> <td>1 PLC</td> <td>± -</td> </tr> <tr> <td>2 PLC</td> <td>± -</td> </tr> <tr> <td>3 PLC</td> <td>± -</td> </tr> <tr> <td>4 PLC</td> <td>± -</td> </tr> <tr> <td>ANGLES</td> <td>± -</td> </tr> </table>		0 PLC	± -	1 PLC	± -	2 PLC	± -	3 PLC	± -	4 PLC	± -	ANGLES	± -	PRODUCT SPEC	SIZE	
0 PLC	± -															
1 PLC	± -															
2 PLC	± -															
3 PLC	± -															
4 PLC	± -															
ANGLES	± -															
MATERIAL SEE TABLE		FINISH	CAGE CODE	DRAWING NO												
			A3 00779	C-228783												
		RESTRICTED TO	-													
CUSTOMER DRAWING		SCALE	SHEET	REV												
		10:1	1 OF 1	C												