

High Temperature (+200°C) Axial and Radial Ceramic Capacitors HT/HP Series

FEATURES

The HT/HP Series is used in robust applications

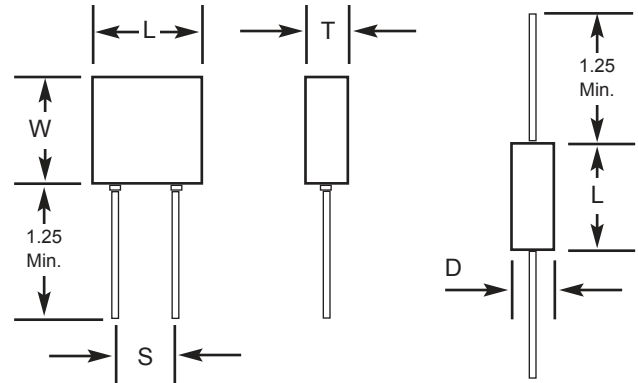
- Down Hole
- Industrial
- Harsh Environments

Where a Radial/Axial coated capacitor can withstand high temperatures (200°C).

NOTE:

Other tolerances, higher capacitance values, voltages, or special package configurations are available upon request.

CAPACITOR OUTLINE DRAWING



DIMENSIONS

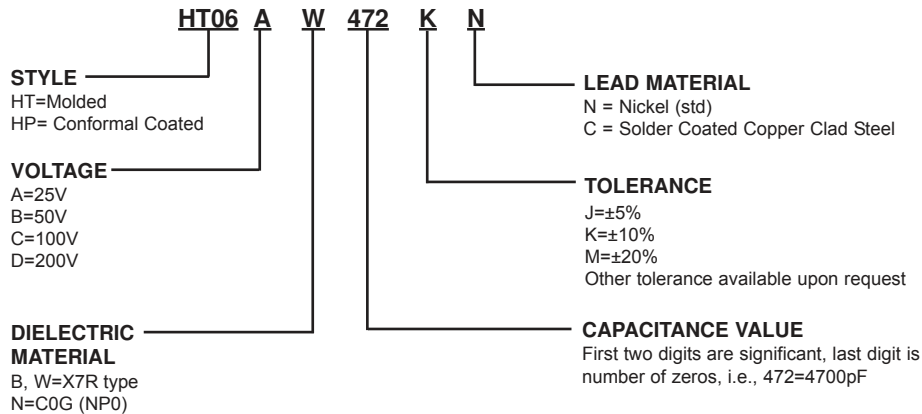
Molded (HT) and Conformal Coated (HP), Radial Lead Types

Style	Sizes in Inches (mm) max			Lead Spacing ±0.030 (S)
	Length (L)	Width (W)	Thickness (T)	
HT05	.200 (5.08)	.200 (5.08)	.100 (2.54)	.100 (2.54)
HT55	.200 (5.08)	.200 (5.08)	.100 (2.54)	.200 (5.08)
HT06	.300 (7.62)	.300 (7.62)	.150 (3.81)	.200 (5.08)
HT08	.500 (12.70)	.500 (12.70)	.250 (6.35)	.400 (10.16)
HT09	.700 (17.78)	.400 (10.16)	.200 (5.08)	.500 (12.70)

Tubular Case, Axial Lead Types

Style	Sizes in Inches (mm) max	
	Length (L)	Diameter (D)
HT11	.170 (4.32)	.100 (2.54)
HT13	.260 (6.60)	.135 (3.43)
HT14	.400 (10.16)	.155 (3.94)
HT15	.500 (12.70)	.200 (5.08)
HT16	.750 (19.05)	.375 (9.52)

PART NUMBER AND ORDERING INFORMATION



MARKING
(HT05, HT55, HT11)
472K
KEC

(All other sizes)
HT06AW472K
KEC
Date Code

For CONFORMAL COATED types, change style number to HPXX. HP dimensions will be reduced slightly.

COG & X7R DIELECTRIC

COG RADIAL																			
STYLE		HT/HP 05			HT/HP 55			HT/HP 06			HT/HP 08			HT/HP 09					
Cap	Cap Code	50	100	200	50	100	200	50	100	200	50	100	200	50	100	200			
		L MAX	.200 (5.08)			.200 (5.08)			.300 (7.62)			.500 (12.70)			.700 (17.78)				
	W MAX	.200 (5.08)			.200 (5.08)			.300 (7.62)			.500 (12.70)			.400 (10.16)					
	T MAX	.100 (2.54)			.100 (2.54)			.150 (3.81)			.250 (6.35)			.200 (5.08)					
	S± .030	.100 (2.54)			.200 (5.08)			.200 (5.08)			.400 (10.16)			.500 (12.70)					
	Lead Dia.	.025 (.635)			.025 (.635)			.025 (.635)			.025 (.635)			.025 (.635)					
	Cap Code	WVDC			WVDC			WVDC			WVDC			WVDC					
22pF	220																		
27	270																		
33	330																		
39	390																		
47	470																		
56	560																		
68	680																		
82	820																		
100	101																		
120	121																		
150	151																		
180	181																		
220	221																		
270	271																		
330	331																		
390	391																		
470	471																		
560	561																		
680	681																		
820	821																		
1000	102																		
1200	122																		
1500	152																		
1800	182																		
2200	222																		
2700	272																		
3300	332																		
3900	392																		
4700	472																		
5600	562																		
6800	682																		
8200	822																		
.010 uF	103																		
0.012	123																		
0.015	153																		
0.018	183																		
0.022	223																		
0.027	273																		
0.033	333																		
0.039	393																		
0.047	473																		
0.056	563																		
0.068	683																		
0.082	823																		
0.10	104																		
0.12	124																		

X7R RADIAL																			
STYLE		HT/HP 05			HT/HP 55			HT/HP 06			HT/HP 08			HT/HP 09					
Cap	Cap Code	50	100	200	50	100	200	50	100	200	50	100	200	50	100	200			
		L MAX	.200 (5.08)			.200 (5.08)			.300 (7.62)			.500 (12.70)			.700 (17.78)				
	W MAX	.200 (5.08)			.200 (5.08)			.300 (7.62)			.500 (12.70)			.400 (10.16)					
	T MAX	.100 (2.54)			.100 (2.54)			.150 (3.81)			.250 (6.35)			.200 (5.08)					
	S± .030	.100 (2.54)			.200 (5.08)			.200 (5.08)			.400 (10.16)			.500 (12.70)					
	Lead Dia.	.025 (.635)			.025 (.635)			.025 (.635)			.025 (.635)			.025 (.635)					
	Cap Code	WVDC			WVDC			WVDC			WVDC			WVDC					
1000pF	102																		
1200	122																		
1500	152																		
1800	182																		
2200	222																		
2700	272																		
3300	332																		
3900	392																		
4700	472																		
5600	562																		
6800	682																		
8200	822																		
.010 uF	103																		
0.012	123																		
0.015	153																		
0.018	183																		
0.022	223																		
0.027	273																		
0.033	333																		
0.039	393																		
0.047	473																		
0.056	563																		
0.068	683																		
0.082	823																		
0.10	104																		
0.12	124																		
0.15	154																		
0.18	184																		
0.22	224																		
0.27	274																		
0.33	334																		
0.39	394																		
0.47	474																		
0.56	564																		
0.68	684																		
0.82	824																		
1.0	105																		
1.2	125																		
1.5	155																		
1.8	185																		
2.2	225																		
2.7	275																		
3.3	335																		
3.9	395																		
4.7	475																		
5.6	565																		

High Temperature (+200°C) Axial and Radial Ceramic Capacitors HT/HP Series

COG & X7R DIELECTRIC

COG AXIAL																
STYLE		HT/HP 11			HT/HP 13			HT/HP 14			HT/HP 15			HT/HP 16		
Cap	L MAX	.170 (4.32)			.260 (6.60)			.400 (10.16)			.500 (12.70)			.750 (19.05)		
	D MAX	.100 (2.54)			.135 (3.43)			.155 (3.94)			.200 (5.08)			.375 (9.52)		
	Lead Dia.	.025 (.635)			.025 (.635)			.025 (.635)			.025 (.635)			.025 (.635)		
	Cap Code	WVDC			WVDC			WVDC			WVDC			WVDC		
		50	100	200	50	100	200	50	100	200	50	100	200	50	100	200
5.6pF	569															
6.8	689															
8.2	829															
10	100															
12	120															
15	150															
18	180															
22	220															
27	270															
33	330															
39	390															
47	470															
56	560															
68	680															
82	820															
100	101															
120	121															
150	151															
180	181															
220	221															
270	271															
330	331															
390	391															
470	471															
560	561															
680	681															
820	821															
1000	102															
1200	122															
1500	152															
1800	182															
2200	222															
2700	272															
3300	332															
3900	392															
4700	472															
5600	562															
6800	682															
8200	822															
.010 uF	103															
0.012	123															
0.015	153															
0.018	183															
0.022	223															
0.027	273															
0.033	333															
0.039	393															
0.047	473															
0.056	563															
0.068	683															
0.082	823															
0.10	104															

X7R AXIAL																
STYLE		HT/HP 11			HT/HP 13			HT/HP 14			HT/HP 15			HT/HP 16		
Cap	L MAX	.170 (4.32)			.260 (6.60)			.400 (10.16)			.500 (12.70)			.750 (19.05)		
	D MAX	.100 (2.54)			.135 (3.43)			.155 (3.94)			.200 (5.08)			.375 (9.52)		
	Lead Dia.	.025 (.635)			.025 (.635)			.025 (.635)			.025 (.635)			.025 (.635)		
	Cap Code	WVDC			WVDC			WVDC			WVDC			WVDC		
		50	100	200	50	100	200	50	100	200	50	100	200	50	100	200
100pF	101															
120	121															
150	151															
180	181															
220	221															
270	271															
330	331															
390	391															
470	471															
560	561															
680	681															
820	821															
1000	102															
1200	122															
1500	152															
1800	182															
2200	222															
2700	272															
3300	332															
3900	392															
4700	472															
5600	562															
6800	682															
8200	822															
.010uF	103															
0.012	123															
0.015	153															
0.018	183															
0.022	223															
0.027	273															
0.033	333															
0.039	393															
0.047	473															
0.056	563															
0.068	683															
0.082	823															
0.1	104															
0.12	124															
0.15	154															
0.18	184															
0.22	224															
0.27	274															
0.33	334															
0.39	394															
0.47	474															
0.56	564															
0.68	684															
0.82	824															
1.0	105															
1.2	125															
1.5	155															
1.8	185															
2.2	225															
2.7	275															