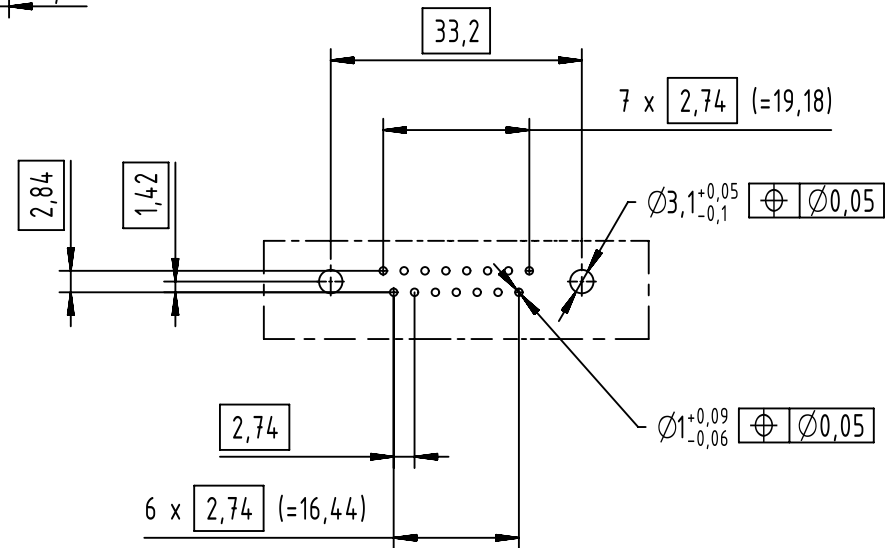
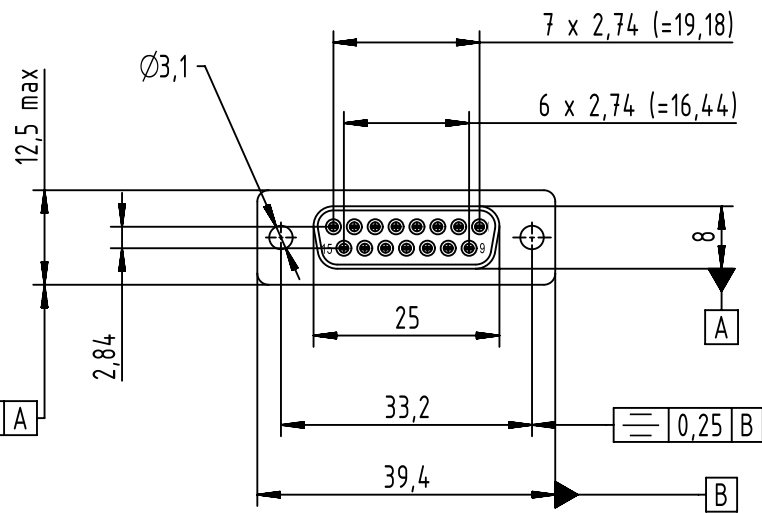


PC-Board layout  
view component side  
thickness up to 3,2 mm



	All Dimensions in mm Original Size DIN A4		Scale 1:1	Free size tol.		Ref.
			Created by LAVERGNEC	Inspected by BAGDIKIAN	Standardisation HOFFMANN	Sub.
All rights reserved		Date 2014-04-02		State Final Release		
Department EC PD - FR		Title D-Sub 15-pole female straight press-in				Doc-Key / ECM-Nr. 100571767/UGD/001/A 500000072779
HARTING Electronics GmbH		Type TB		Number 0966214X500		Rev. A
D-32339 Espelkamp						Page 1/1

09662147500	3	6	4,20
09662146500	2	6	4,20
09662145500	S4 PdNi	6	4,20
Part number	Performance level	A +/- 0,2	B +/- 0,2