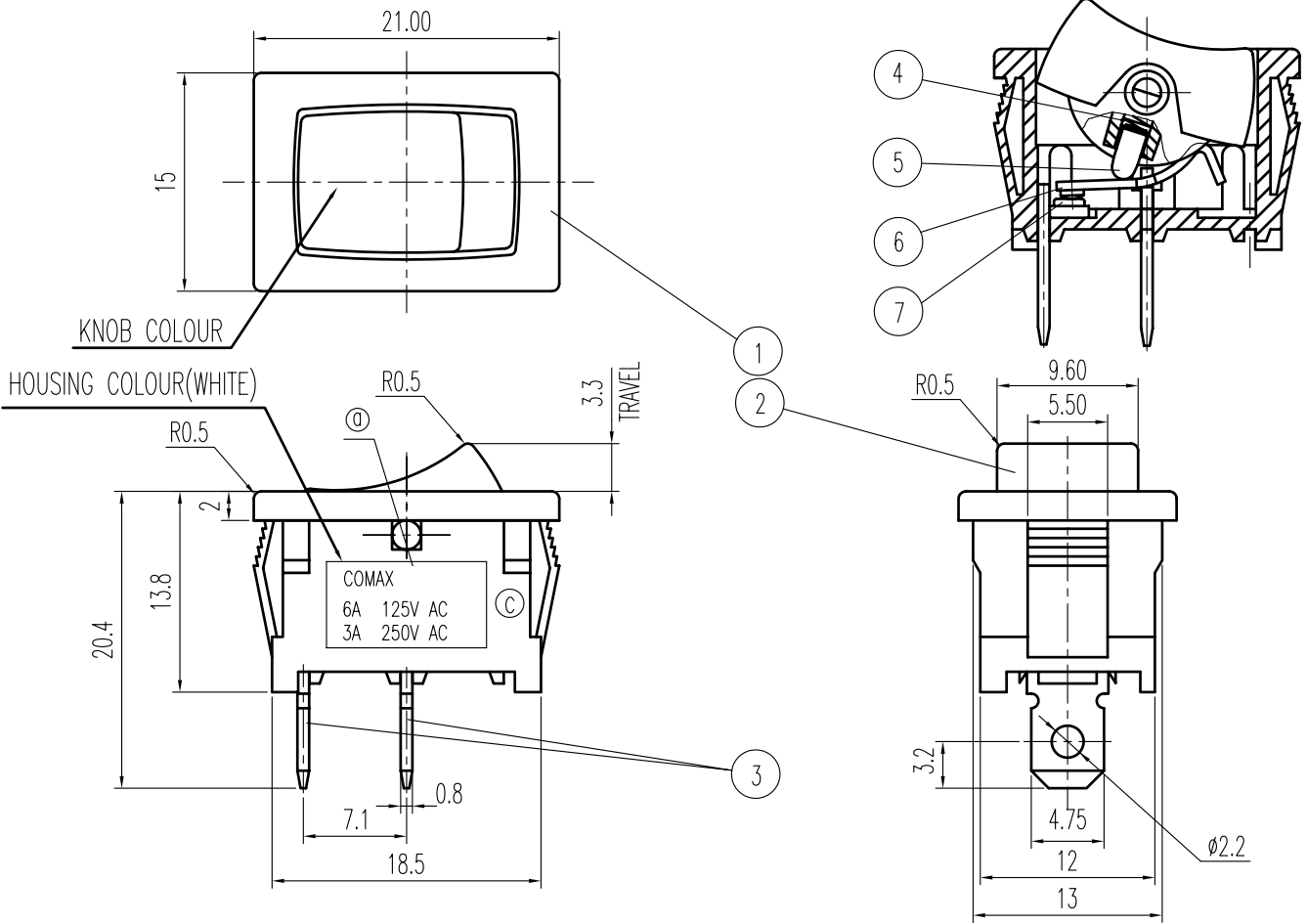
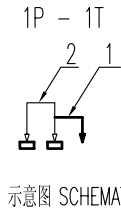


ITEM NO.	SW-11A06N-A01	SW-11A06N-B01	SW-11A06N-C01	SW-11A06N-CR01	SW-11A06N-F01	SW-11A06N-F02
KNOB COLOUR	WHITE	WHITE	WHITE	WHITE	WHITE	RED
KNOB MARKS						

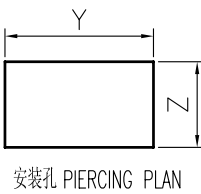


规格 Specifications

额定负荷 Ratings	6A 125 VAC, 3A 250 VAC
初期接触电阻 Initial Contact Resistance	30 $m\Omega$ Max.
绝缘电阻 Insulation Resistance	DC500 V 60 ± 5 Sec. $100 M\Omega$ Min.
抗电强度 Dielectric Voltage	AC1000 V(50~60HZ) 60 ± 5 Sec.
操作力 Operating Force	400 \pm 200 gf
机械寿命 Operating Life Without Load	10,000 \times cycles



THK	Y	Z
0.75—1.00	19.40 $\frac{0.00}{-0.10}$	13.00 $\frac{0.00}{-0.10}$
1.00—2.00	19.60 $\frac{0.00}{-0.10}$	13.00 $\frac{0.00}{-0.10}$
2.00—2.50	20.20 $\frac{0.00}{-0.10}$	13.00 $\frac{0.00}{-0.10}$



7	触点 CONTACT	AgNi Alloy	2	NATURAL
6	接触片 CONTACT PLATE	C2680R	1	Ag PLATED
5	滑块 SLIDER	P B T	1	BLACK C
4	弹簧 SPRING	SUS	1	NATURAL
3	端子 TERMINAL A B	C2680R	2	Ag PLATED
2	胶柄 KNOB	A B S	1	BLACK C
1	胶壳 HOUSING	PA	1	BLACK C
序NO.	零件 PART	材料 MATERIAL	数量 QTY	备注 REMARKS

A03	取消: U标志	见 C	刘红梅	2006-8-19
A02	修改见 D		刘红梅	2006/3/21
A01	修改见 E		何景洪	2005/4/1
标号 REV	内容 DESCRIPTION	签名 SIGN.	日期 DATE	

TOLERANCES UNLESS OTHERWISE SPEC.		TITLE	ROCKER SWITCHES		ITEM NO	SW-11A06N	
UNDER 1	± 0.10	DRAWN	刘红梅	2006-8-19	VERSION	A03	PAGE 1 OF 1
1 - 10	± 0.30	REVIEWED	王光云 (代)	2006-8-21	SCALE		UNIT mm
OVER 10	± 0.50	APPROVED	刘瑞富	2006-8-21	PROJECTION		

COMAX ELECTRONICS (HUIZHOU) CO.,LTD.