

10 9 8 7 6 5 4 3 2 1

F

E

D

C

B

A

F

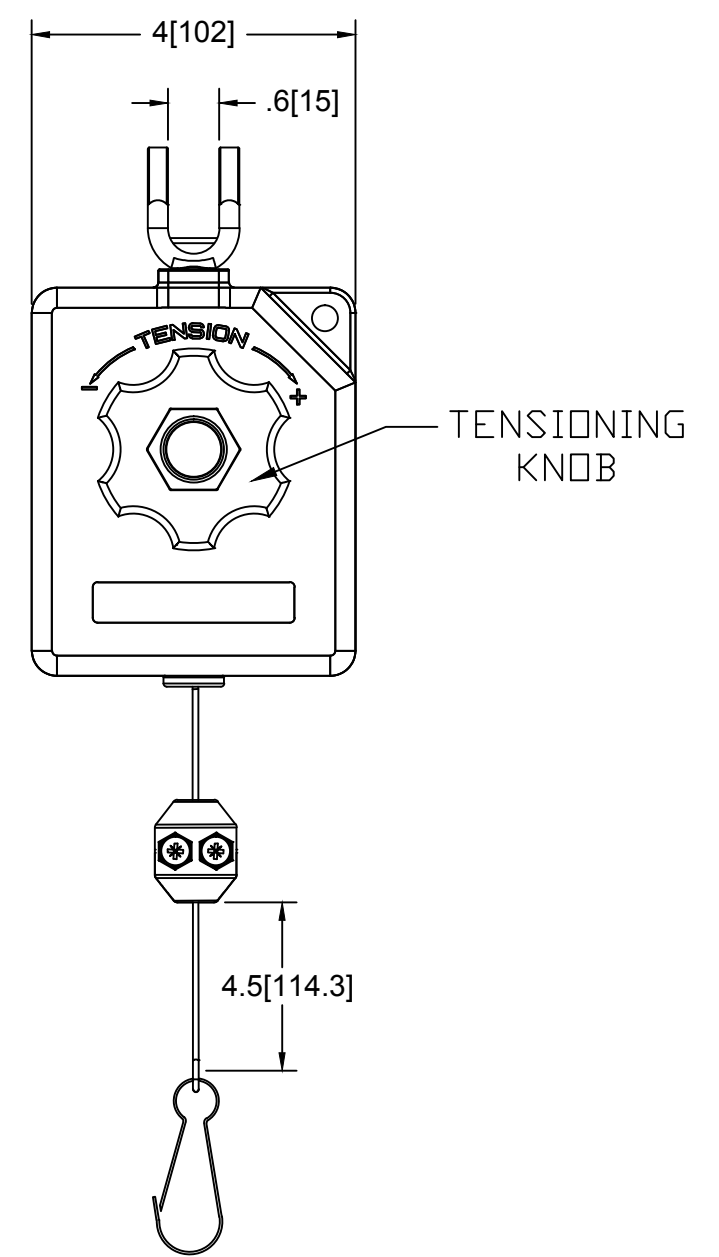
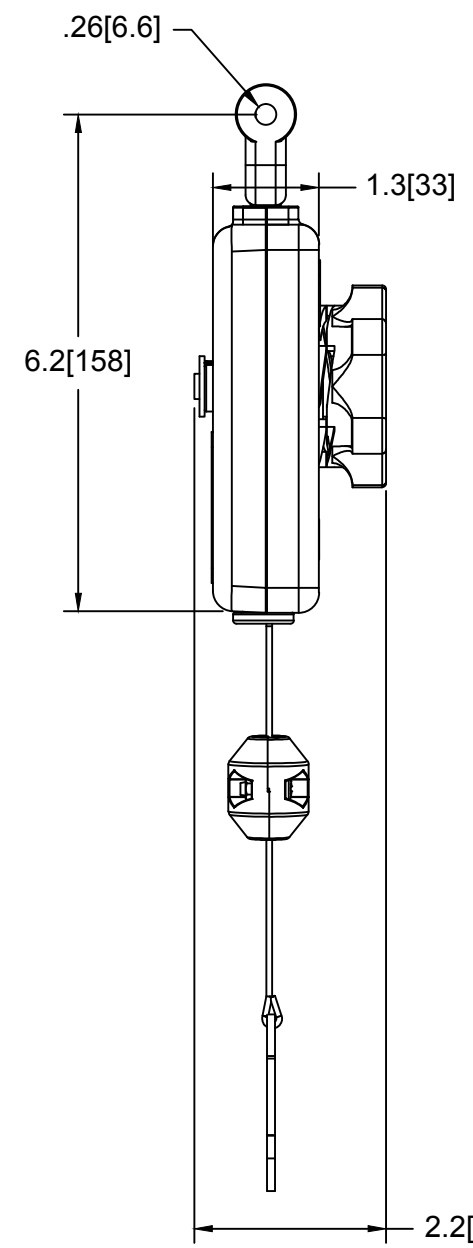
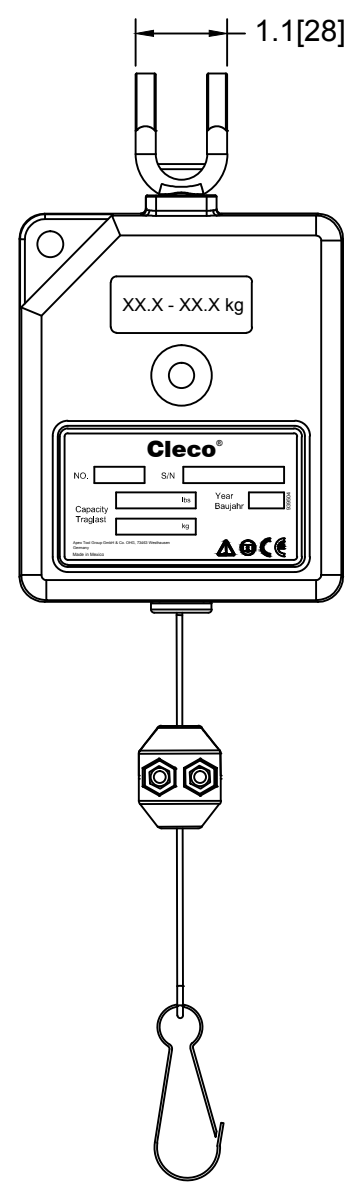
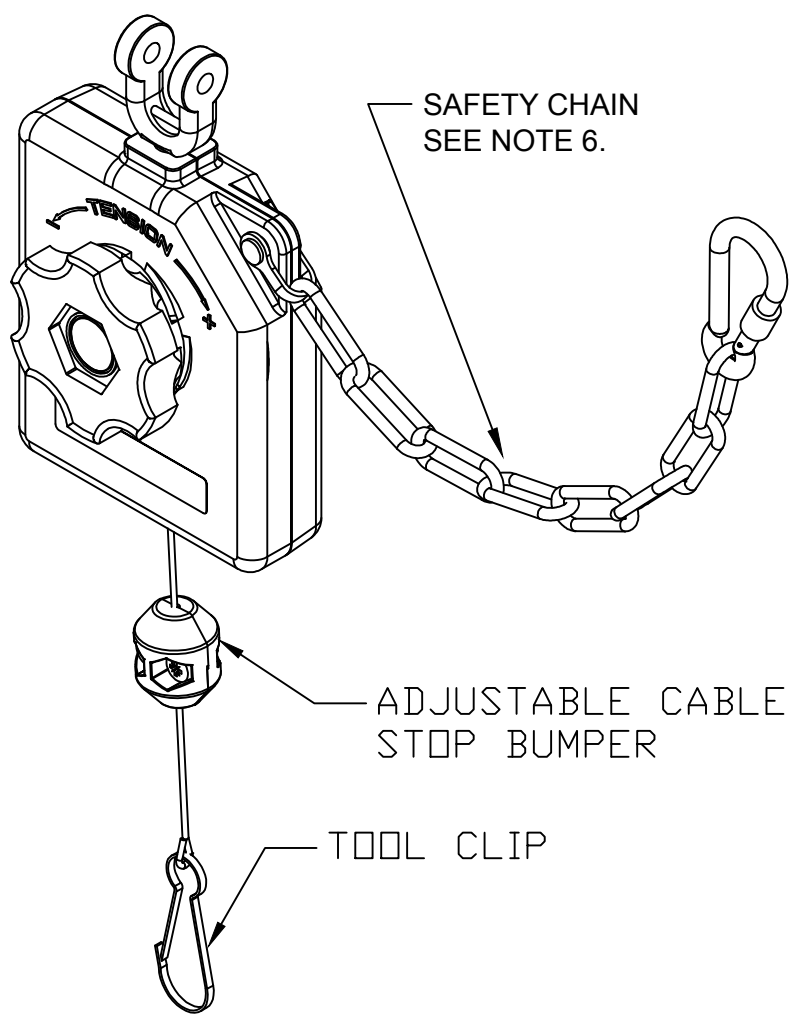
E

D

C

B

A



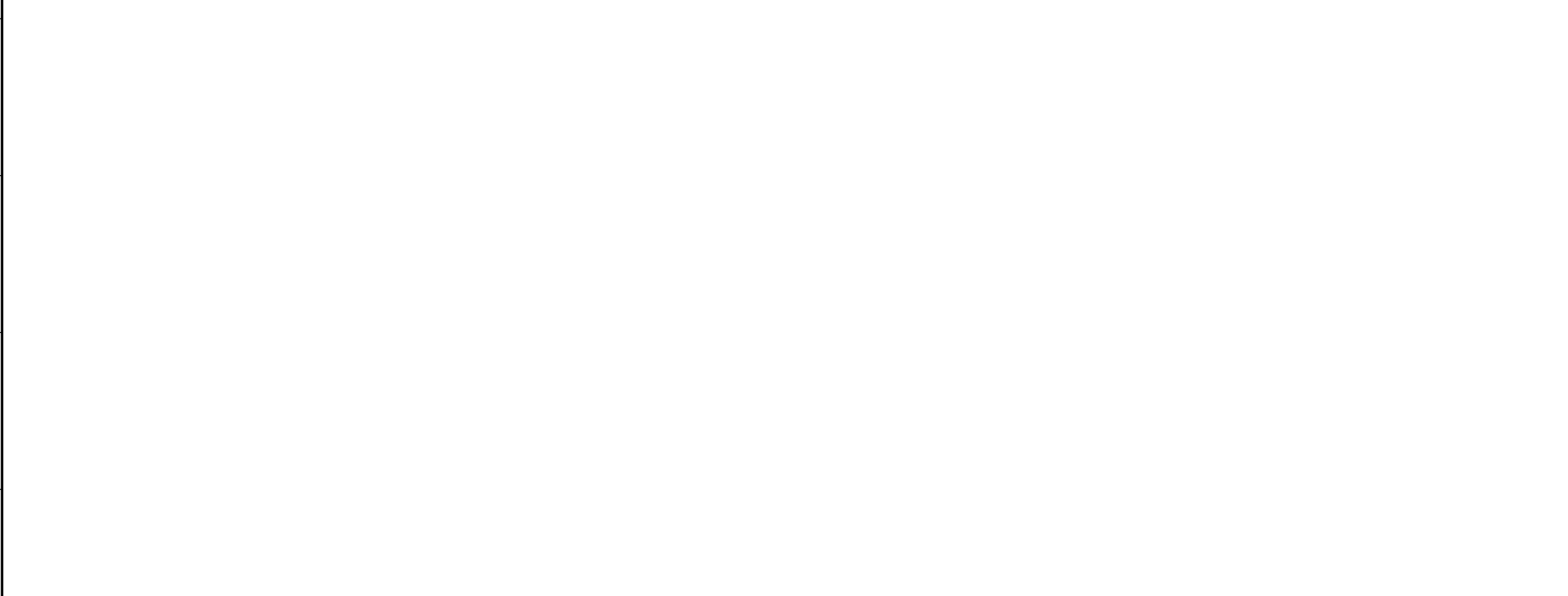
- NOTES:
1. RETRACTORS ARE 100% INSPECTED & PRE-TENSIONED AT FACTORY.
 2. HOUSINGS ARE MADE OF GENERAL PURPOSE ABS TO MEET HARSH INDUSTRIAL ENVIRONMENTS.
 3. ALWAYS READ INSTRUCTIONS MANUAL BEFORE USING RETRACTORS.
 4. RETRACTORS ARE NOT TO BE USED AS BALANCERS THEIR MAIN PURPOSE BEING TO RETRACT A LOAD AND NOT TO BALANCE ONE.
 5. OVERALL DIMENSIONS ARE FOR REFERENCE ONLY.
 6. STANDARD CATALOG RETRACTORS ARE NOT EQUIPED WITH SAFETY CHAIN, BUT IF APPLICATION REQUIRES A SAFETY CHAIN ADD "SC" SUFFIX TO STANDARD BALANCER P/N [EXAMPLE BL-1BSC] ON MAIN MATERIAL NUMBERS TABLE.
 7. RETRACTORS COME WITH A CLEVIS PIN & A COTTER PIN

UPDATE LABEL CONTENT EC NO: IPG2013-1299 DRWN: MCHOJECK 2/21/13 CHKD: DT 2/21/13 APPR: JFMURPHY 2010/05/21	DESCRIPTION REV	QUALITY SYMBOLS ▽=0 ▽C=0	GENERAL TOLERANCES (UNLESS SPECIFIED)		DIMENSION STYLE IN/MM		SCALE NTS	DESIGN UNITS INCH	THIRD ANGLE PROJECTION		
			mm	INCH	DRAWN BY	DATE	TITLE "RB" SERIES RETRACTORS FOR COOPER SPECIALS				
		4 PLACES	±---	±---	RHOTCA	2010/04/28					
		3 PLACES	±---	±---	CHECKED BY	DATE	MOLEX INCORPORATED				
2 PLACES	±0.13	±.010	DT	2010/04/28							
1 PLACE	±0.25	±.020	APPROVED BY	DATE	MATERIAL NO. SEE TABLE		DOCUMENT NO. SD-130171-001	SHEET NO. 1 OF 2			
DRAFT WHERE APPLICABLE MUST REMAIN WITHIN DIMENSIONS			SIZE B		THIS DRAWING CONTAINS INFORMATION THAT IS PROPRIETARY TO MOLEX INCORPORATED AND SHOULD NOT BE USED WITHOUT WRITTEN PERMISSION						

10 9 8 7 6 5 4 3 2 1

10	9	8	7	6	5	4	3	2	1
----	---	---	---	---	---	---	---	---	---

Material Number:	Engineering Number:	Description:	Weight Range in (KG):	Cable Travel in (M):	Weight Range in (LB):	Cable Travel in (FT):
1301710134	BL-1B	COOPER RETRACTOR [0-2LB/0.5-0.9KG]	0 - 0.9	1.6	0 - 2.0	5.2
1301710135	BL-2B	COOPER RETRACTOR [2-4LB/0.9-1.8KG]	0.9 - 1.8	1.6	2.0-4.0	5.2



UPDATE LABEL CONTENT EC NO: IPG2013-1299 DRWN: MCHOJECK 2/21/13 CHKD: DT 2/21/13 APPR: JFMURPHY 2010/05/21	DESCRIPTION REV	QUALITY SYMBOLS = 0 = 0	GENERAL TOLERANCES (UNLESS SPECIFIED)		DIMENSION STYLE IN/MM		SCALE NTS	DESIGN UNITS INCH	THIRD ANGLE PROJECTION	
			mm INCH	DRAWN BY DATE RHOTCA 2010/04/28	"RB" SERIES RETRACTORS FOR COOPER SPECIALS					
		4 PLACES ±--- ±--- 3 PLACES ±--- ±--- 2 PLACES ±0.13 ±.010 1 PLACE ±0.25 ±.020	CHECKED BY DATE DT 2010/04/28							
			ANGULAR ±1°	APPROVED BY DATE DTITUS 2010/05/21	MOLEX INCORPORATED					
		DRAFT WHERE APPLICABLE MUST REMAIN WITHIN DIMENSIONS	MATERIAL NO. SEE TABLE	DOCUMENT NO. SD-130171-001				SHEET NO. 2 OF 2		
B	SIZE B	THIS DRAWING CONTAINS INFORMATION THAT IS PROPRIETARY TO MOLEX INCORPORATED AND SHOULD NOT BE USED WITHOUT WRITTEN PERMISSION								

10	9	8	7	6	5	4	3	2	1
----	---	---	---	---	---	---	---	---	---