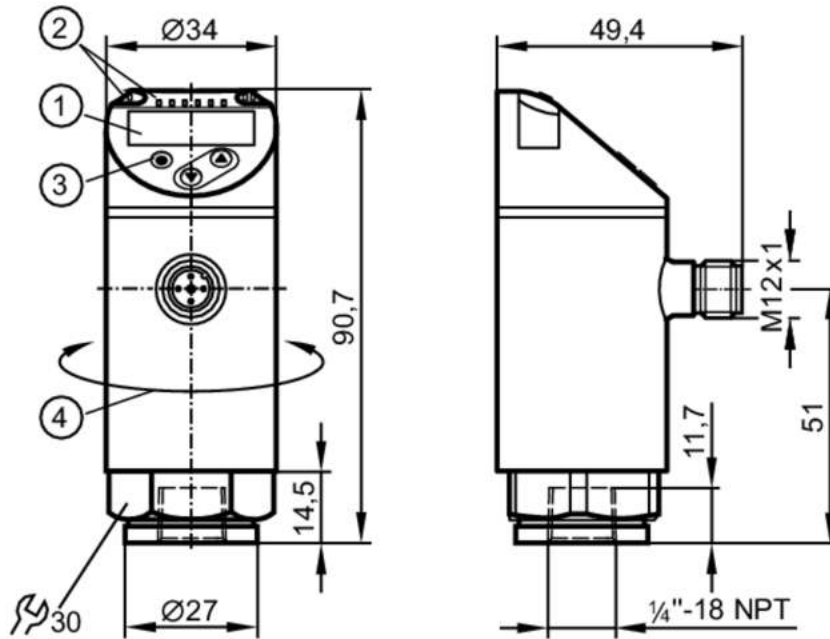


PN2271



Pressure sensor with display

PN-250-SEN14-MFRKG/US/ IV



- 1 alphanumeric display 4-digit red/green
- 2 LEDs Display unit / switching status
- 3 programming button
- 4 upper part of the housing can be rotated 345°



Product characteristics

Number of inputs and outputs	Number of digital outputs: 2; Number of analogue outputs: 1		
Measuring range	0...250 bar	0...3625 psi	0...25 MPa
Process connection	threaded connection 1/4" NPT internal thread		

Application

Special feature	Gold-plated contacts		
Measuring element	metallic thin film cell		
Application	for industrial applications		
Media	liquids and gases		
Medium temperature [°C]	-25...80		
Min. bursting pressure	1200 bar	17400 psi	120 MPa
Pressure rating	500 bar	7250 psi	50 MPa
Vacuum resistance [mbar]	-1000		
Type of pressure	relative pressure		
MAWP (for applications according to CRN)	500 bar	7250 psi	50 MPa

Electrical data

Operating voltage [V]	18...30 DC; (to SELV/PELV)		
Current consumption [mA]	< 35		
Min. insulation resistance [MΩ]	100; (500 V DC)		
Protection class	III		

PN2271



Pressure sensor with display

PN-250-SEN14-MFRKG/US/ IV

Reverse polarity protection		yes
Power-on delay time [s]		0.3
Integrated watchdog		yes

Inputs / outputs

Number of inputs and outputs	Number of digital outputs: 2; Number of analogue outputs: 1		
------------------------------	-------------------------------------------------------------	--	--

Outputs

Total number of outputs	2		
Output signal	switching signal; analogue signal; IO-Link; (configurable)		
Electrical design	PNP/NPN		
Number of digital outputs	2		
Output function	normally open / normally closed; (parameterisable)		
Max. voltage drop switching output DC [V]	2		
Permanent current rating of switching output DC [mA]	250		
Switching frequency DC [Hz]	< 500		
Number of analogue outputs	1		
Analogue current output [mA]	4...20; (scalable 1:5)		
Max. load [Ω]	500		
Analogue voltage output [V]	0...10; (scalable 1:5)		
Min. load resistance [Ω]	2000		
Short-circuit protection	yes		
Type of short-circuit protection	pulsed		
Overload protection	yes		

Measuring/setting range

Measuring range	0...250 bar	0...3625 psi	0...25 MPa
Analogue start point	0...200 bar	0...2900 psi	0...20 MPa
Analogue end point	50...250 bar	725...3625 psi	5...25 MPa

Factory setting / CMPT = 2

Set point SP	1.5...250 bar	25...3625 psi	0.15...25 MPa
Reset point rP	0.5...249 bar	10...3610 psi	0.05...24.9 MPa
Min. difference between SP and rP	1.5 bar	15 psi	0.15 MPa
In steps of	0.5 bar	5 psi	0.05 MPa

Status_B High Resolution / CMPT = 3

Set point SP	1.6...250 bar	23...3626 psi	0.16...25 MPa
Reset point rP	0.5...249 bar	8...3611 psi	0.05...24.9 MPa
Min. difference between SP and rP	1.1 bar	15 psi	0.11 MPa
In steps of	0.1 bar	1 psi	0.01 MPa

Accuracy / deviations

Switch point accuracy [% of the span]	< ± 0,4; (Turn down 1:1)		
Repeatability [% of the span]	< ± 0,1; (with temperature fluctuations < 10 K; Turn down 1:1)		
Characteristics deviation	< ± 0,25 (BFSL) / < ± 0,5 (LS); (Turn down 1:1; BFSL = Best Fit Straight Line; LS = limit value setting)		

PN2271



Pressure sensor with display

PN-250-SEN14-MFRKG/US/ IV

	[% of the span]	
Hysteresis deviation	[% of the span]	< ± 0,1; (Turn down 1:1)
Long-term stability	[% of the span]	< ± 0,05; (Turn down 1:1; per 6 months)
Temperature coefficient zero point	[% of the span / 10 K]	0,2; (-25...80 °C)
Temperature coefficient span	[% of the span / 10 K]	0,2; (-25...80 °C)
Notes on the accuracy / deviation		switch point accuracy, linearity error under DNV GL: < ± 1%: < ± 1%

Response times

Response time	[ms]	< 1.5
Delay time programmable dS, dr	[s]	0...50
Damping process value dAP	[s]	0...4
Damping for the analogue output dAA	[s]	0...4
Max. response time analogue output	[ms]	3

Software / programming

Parameter setting options	hysteresis / window; normally open / normally closed; switch-on/ switch-off delay; Damping; Display unit; current/voltage output
---------------------------	----------------------------------------------------------------------------------------------------------------------------------

Interfaces

Communication interface	IO-Link						
Transmission type	COM2 (38,4 kBaud)						
IO-Link revision	1.1						
SDCI standard	IEC 61131-9						
SIO mode	yes						
Required master port type	A; (when pin 2 not connected: B)						
Supported DeviceIDs	<table border="1"> <thead> <tr> <th>Type of operation</th> <th>DeviceID</th> </tr> </thead> <tbody> <tr> <td>Factory setting / CMPT = 2</td> <td>470</td> </tr> <tr> <td>Status_B High Resolution / CMPT = 3</td> <td>986</td> </tr> </tbody> </table>	Type of operation	DeviceID	Factory setting / CMPT = 2	470	Status_B High Resolution / CMPT = 3	986
Type of operation	DeviceID						
Factory setting / CMPT = 2	470						
Status_B High Resolution / CMPT = 3	986						
Note	For further information please see the IODD PDF file under "Downloads"						

Factory setting / CMPT = 2

Profiles	Smart Sensor: Process Data Variable; Device Identification, Device Diagnosis						
Min. process cycle time	[ms] 2.3						
IO-Link resolution pressure	[bar] 0.1						
IO-Link process data (cyclical)	<table border="1"> <thead> <tr> <th>function</th> <th>bit length</th> </tr> </thead> <tbody> <tr> <td>pressure</td> <td>14</td> </tr> <tr> <td>binary switching information</td> <td>2</td> </tr> </tbody> </table>	function	bit length	pressure	14	binary switching information	2
function	bit length						
pressure	14						
binary switching information	2						
IO-Link functions (acyclical)	application specific tag						

Status_B High Resolution / CMPT = 3

Profiles	Smart Sensor ED2: Digital Measuring Sensor (0x000A), Identification and Diagnosis (0x4000)
Min. process cycle time	[ms] 3

PN2271



Pressure sensor with display

PN-250-SEN14-MFRKG/US/ IV

IO-Link resolution pressure [bar]	0.1	
IO-Link process data (cyclical)	function	bit length
	pressure	16
	device status	4
	binary switching information	2
IO-Link functions (acyclical)	application specific tag	

Operating conditions

Ambient temperature [°C]	-25...80
Storage temperature [°C]	-40...100
Protection	IP 65; IP 67

Tests / approvals

EMC	DIN EN 61000-6-2	
	DIN EN 61000-6-3	
Shock resistance	DIN EN 60068-2-27	50 g (11 ms)
Vibration resistance	DIN EN 60068-2-6	20 g (10...2000 Hz)
MTTF [years]	124	
UL approval	UL Approval no.	J014
Pressure Equipment Directive	Sound engineering practice; can be used for group 2 fluids; group 1 fluids on request	

Mechanical data

Weight [g]	219.5	
Materials	1.4542 (17-4 PH / 630); stainless steel (1.4404 / 316L); PBT+PC-GF30; PBT-GF20; PC	
Materials (wetted parts)	1.4542 (17-4 PH / 630)	
Min. pressure cycles	100 million	
Tightening torque [Nm]	> 50; (depends on lubrication, seal and pressure rating)	
Process connection	threaded connection 1/4" NPT internal thread	
Restrictor element integrated	no (can be retrofitted)	

Displays / operating elements

Display	Display unit	3 x LED, green (bar, psi, MPa)
	switching status	2 x LED, yellow
	measured values	alphanumeric display, red/green 4-digit

Remarks

Pack quantity	1 pcs.
---------------	--------

Electrical connection

Connector: 1 x M12; coding: A; Contacts: gold-plated



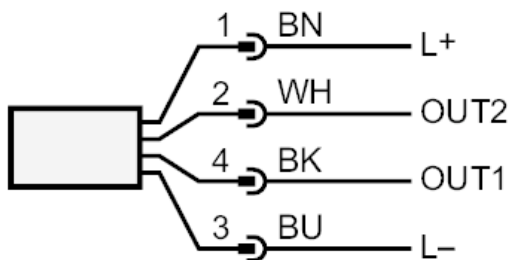
PN2271



Pressure sensor with display

PN-250-SEN14-MFRKG/US/ I/V

Connection



OUT1	switching output
	IO-Link
OUT2	switching output
	analogue output
	Core colours :
BK =	black
BN =	brown
BU =	blue
WH =	white