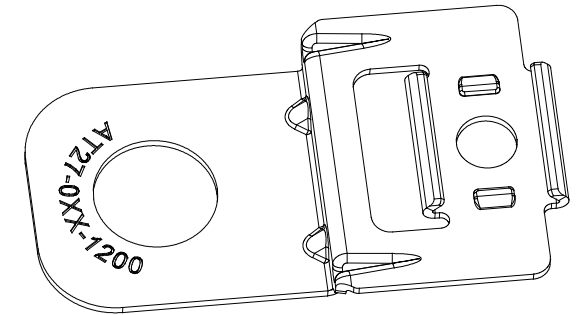


REVISIONS					
REV	ECO	DESCRIPTION	DATE	BY	APPR
A1	-	RELEASE NEW PRODUCT	13/Mar/20	ROOKIE	TOMMY



TITLE: SIDE MOUNTING CLIP AT/ATM/ATP/ATV/ATHD,METAL
 DWG NO: AT27-XXX-1200
 REV: A1
 SH: 1
 OF: 1

NOTES: UNLESS OTHERWISE SPECIFIED

- USE WITH CONNECTORS
 - A. AT04-2/3/4/6/12P*
 - B. ATM04-2/3/4/6/8/12P*
 - C. ATP04-2/4/6P*
 - D. ATV04-*
 - E. ATHD04-*
- (* =ALL MODIFICATIONS AND/OR COLORS)

2. RoHS COMPLIANT

3. ALL DIMENSIONS ARE FOR REFERENCE USE ONLY.

△ PART INFORMATION:

PART NUMBER	MATERIAL	HOLE DIAMETER
AT27-007-1200	STEEL-ZINC PLATED	NO HOLE
AT27-008-1200	STEEL-ZINC PLATED	11mm
AT27-009-1200	STEEL-ZINC PLATED	13mm
AT27-017-1200	STEEL-ZINC PLATED	8.2mm

SEE TABLE		REF: 1027-007-1200, 1027-008-1200, 1027-009-1200, 1027-017-1200		
PART NUMBER		DESCRIPTION		
QUANTITY	MATERIALS LIST			ITEM
UNLESS OTHERWISE SPECIFIED: 1) All dimensions are in metric(mm). 2) Tolerances are as follows: 1 PL DEC ±0.30 2 PL DEC ±0.15 3 PL DEC ±0.08 3) Note reference = △		SIGNATURES	DATE	SINE Systems Corporation A Subsidiary of Amphenol Corporation 44724 Morley Drive Clinton Township, MI 48036 SIDE MOUNTING CLIP AT/ATM/ATP/ATV/ATHD,METAL
MATERIAL SPECIFICATIONS:		DRAWN: ROOKIE	13/Mar/20	
PROCESS SPECIFICATIONS:		CHECKED: ORION	15/Mar/20	
NEXT ASSY:		APPROVAL: TOMMY	16/Mar/20	
CUSTOMER:		THIS DRAWING IS SUPPLIED FOR INFORMATION ONLY. DESIGN FEATURES, SPECIFICATIONS AND PERFORMANCE DATA SHOWN HEREON ARE THE PROPERTY OF THE AMPHENOL CORPORATION. NO RIGHTS OF REPRODUCTION ARE IMPLIED. ALL DIMENSIONS ARE SUBJECT TO NORMAL MANUFACTURING VARIATIONS.		SIZE: B SCALE: NONE
		DWG NO: AT27-XXX-1200		REVISION: A1
		SHEET 1 OF 1		