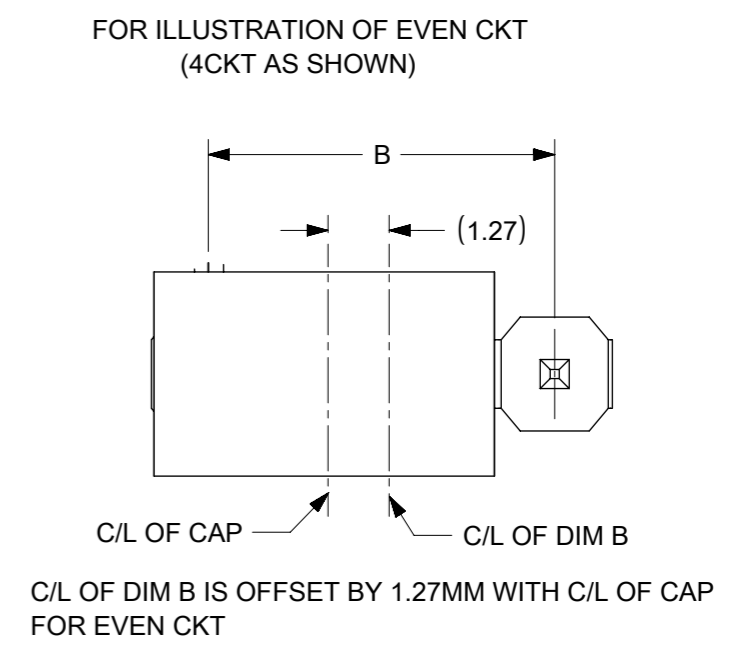
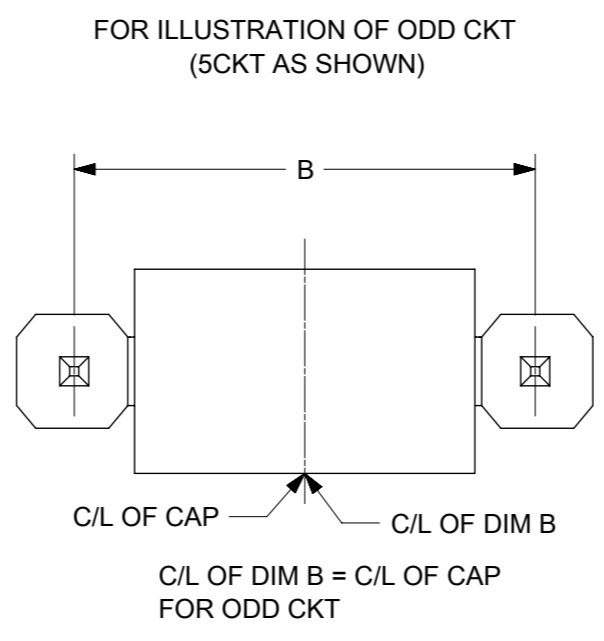
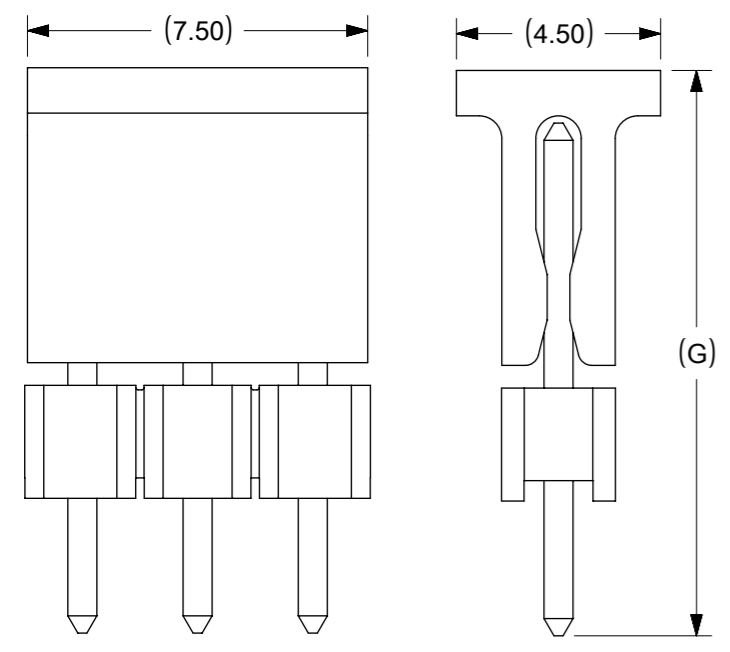


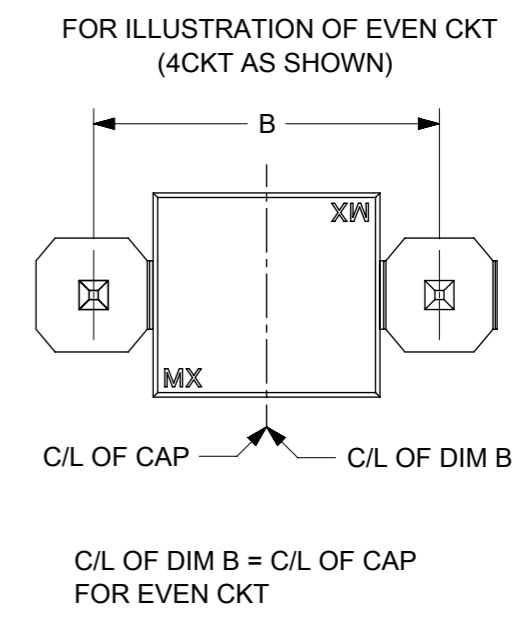
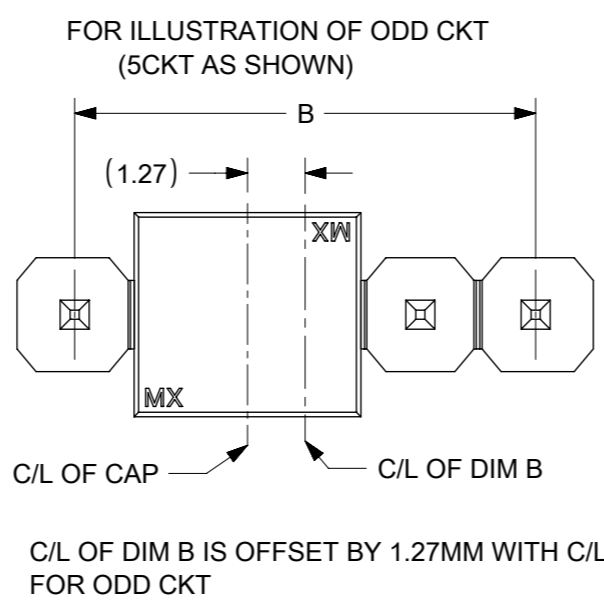
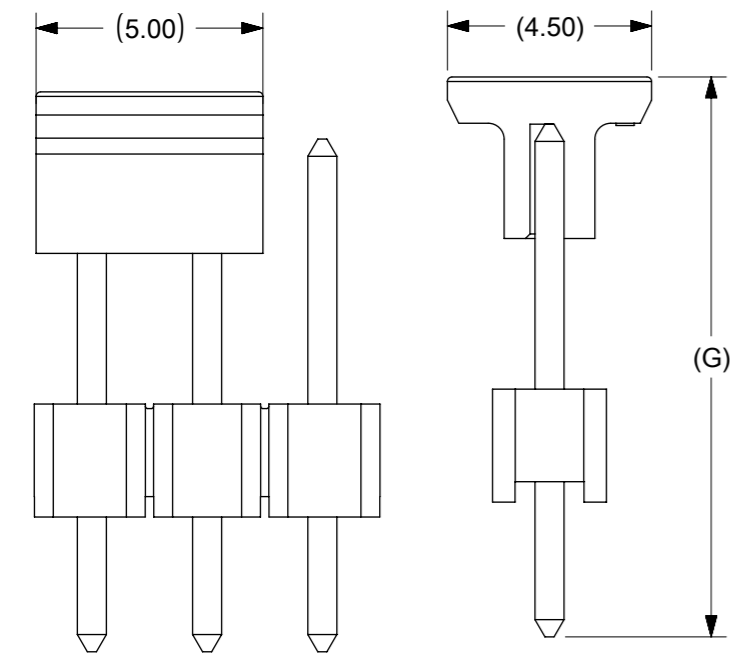
- NOTES
- MATERIAL:  
HSG: NYLON, GLASS-FILLED, UL94V-0 COLOR: BLACK  
PIN: 0.64MM SQ, COPPER ALLOY
  - PLATING TYPE:
    - GOLD FLASH OVER  
1.25µm MIN. NICKEL OVERALL.
    - GOLD FLASH ON CONTACT AND  
2.50µm MIN. TIN ON SOLDER TAIL OVER  
1.25µm MIN. NICKEL OVERALL.
    - 0.38µm MIN. GOLD PLATE ON CONTACT AND  
2.00µm MIN. TIN ON SOLDER TAIL OVER  
1.25µm MIN. NICKEL OVERALL.
    - 0.75µm MIN. GOLD PLATE ON CONTACT AND  
2.00µm MIN. TIN ON SOLDER TAIL OVER  
1.25µm MIN. NICKEL OVERALL.
    - 2.50µm MIN TIN OVERALL  
1.25µm MIN NICKEL OVERALL
  - PRODUCT SPECIFICATION: PS-87920-019
  - PACKAGING TYPE: SEE TABLE
  - WAFER TO BE FLAT WITHIN 0.003 mm/mm
  - RECOMMENDED PCB THICKNESS IS 1.60mm ± 0.10  
 ⚠ IRREGULAR CIRCUIT CUTOFF WITHIN BREAKAWAY SECTION IS PERMISSIBLE. CUTTING OR CHIPPING OF THE MAIN BODY IS NOT ACCEPTABLE
  - THE ABOVE CKT 6 IS FOR ILLUSTRATION PURPOSE ONLY
  - PACKAGING SPECIFICATION:  
 TRAY: PK-89990-489  
 BULK: PK-89990-491  
 T&R : PK-87898-400  
 TUBE: PK-89990-934
  - REFER SHEET 2 FOR CAP LOCATION.

FUNCTIONAL SYMBOLS FA = 0 FE = 0 FP = 0	THIS DRAWING CONTAINS INFORMATION THAT IS PROPRIETARY TO MOLEX ELECTRONIC TECHNOLOGIES, LLC AND SHOULD NOT BE USED WITHOUT WRITTEN PERMISSION		CURRENT REV DESC:			
	DIMENSION UNITS	SCALE	GENERAL TOLERANCES (UNLESS SPECIFIED)			
	mm	NTS				
			MM	INCH		
DIVISIONAL SYMBOLS	4 PLACES ±	±	EC NO: 741471		PRODUCT CUSTOMER DRAWING DOCUMENT NUMBER: SD-87891-001 DOC TYPE: PSD DOC PART: 000 REVISION: D19 SHEET NUMBER: 1 OF 5	
	3 PLACES ±	±	DRWN: SUAIFR 2023/03/07			
	2 PLACES ±	0.2 ±	CHK'D: SUAIFR 2023/03/08			
	1 PLACE ±	±	APPR: MRAMAKRISHNA 2023/03/09			
	0 PLACES ±	±	INITIAL REVISION:			
	ANGULAR TOL ±	3.0 °	DRWN: KCHO 2004/03/24			
			APPR: SLOW 2004/04/08			
DRAFT WHERE APPLICABLE MUST REMAIN WITHIN DIMENSIONS		THIRD ANGLE PROJECTION	DRAWING	SERIES	MATERIAL NUMBER	CUSTOMER
			A3-SIZE	87891	SEE TABLE	GENERAL MARKET

### CAP INFORMATION- CAP OPTION A



### CAP INFORMATION- CAP OPTION B



FUNCTIONAL SYMBOLS	THIS DRAWING CONTAINS INFORMATION THAT IS PROPRIETARY TO MOLEX ELECTRONIC TECHNOLOGIES, LLC AND SHOULD NOT BE USED WITHOUT WRITTEN PERMISSION		CURRENT REV DESC:				
	$\frac{F}{A} = 0$ $\frac{F}{E} = 0$ $\frac{F}{P} = 0$	DIMENSION UNITS: <b>mm</b> SCALE: <b>NTS</b>					
DIVISIONAL SYMBOLS	4 PLACES ±      ± 3 PLACES ±      ± 2 PLACES ± 0.2 ± 1 PLACE ±      ± 0 PLACES ±      ±		EC NO: 741471 DRWN: SUAIFR CHK'D: SUAIFR APPR: MRAMAKRISHNA		2023/03/07 2023/03/08 2023/03/09		
	ANGULAR TOL ± 3.0°		INITIAL REVISION: DRWN: KCHO APPR: SLOW		2004/03/24 2004/04/08		
	DRAFT WHERE APPLICABLE MUST REMAIN WITHIN DIMENSIONS		THIRD ANGLE PROJECTION		DOCUMENT NUMBER: <b>SD-87891-001</b> DOC TYPE: PSD DOC PART: 000 REVISION: D19		
			DRAWING: <b>A3-SIZE</b> SERIES: <b>87891</b>		MATERIAL NUMBER: SEE TABLE CUSTOMER: GENERAL MARKET SHEET NUMBER: 2 OF 5		

10 9 8 7 6 5 4 3 2 1


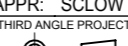
CKT SIZE	DIMENSION		ASSY W/CAP IN T&R	ASSY W/O CAP IN T&R	ASSY W/O CAP IN TUBE	ASSY W/CAP IN TUBE	PART NO. W/O CAP IN TRAY PACKAGING	PART NO. IN BULK PACKAGING	CKT SIZE	VOID PIN	KINK PIN	(G)	DIMENSION			PLATING TYPE	CAP OPTION	REMARKS	
	A	B											OAL	MATING END	SOLDIER TAIL				
01	2.54	---											(F)	M	P				
02	5.08	2.54											10.80	5.08	3.23	5	-	-	
03	7.62	5.08											12.29	6.80	3.00	3	-	-	
04	10.16	7.62											11.76	6.09	3.18	5	-	-	
05	12.70	10.16											11.30	5.84	2.97	4	-	-	
06	15.24	12.70											11.30	5.84	2.97	5	-	-	
07	17.78	15.24											11.30	5.84	2.97	5	-	-	
08	20.32	17.78											9.80	4.00	3.31	5	-	-	
09	22.86	20.32											7.49	4.00	1.00	2	-	-	
10	25.40	22.86											10.80	5.08	3.23	5	-	-	
11	27.94	25.40											31.00	25.54	2.97	5	-	-	
12	30.48	27.94											7.29	2.40	2.40	5	-	-	
13	33.02	30.48											18.37	12.68	3.20	5	-	-	
14	35.56	33.02											26.49	20.80	3.20	5	-	-	
15	38.10	35.56											19.49	13.00	4.00	5	-	-	
16	40.64	38.10											14.98	13.98	7.49	4.00	5	A	-
17	43.18	40.64											12.14	5.84	3.81	4	-	-	
18	45.72	43.18											11.30	5.84	2.97	5	-	-	
19	48.26	45.72											11.30	5.84	2.97	5	-	-	
20	50.80	48.26											22.73	18.74	1.50	5	-	-	
21	53.34	50.80											13.72	9.65	1.78	6	-	-	
22	55.88	53.34											11.30	5.84	2.97	4	-	-	
23	58.42	55.88											87891-0311	-	-	5	B	REFER RPK-87891-0311 (FOR 87891-0311)	
24	60.96	58.42											87891-0313	-	-	5	B	-	
25	63.50	60.96											-	-	-	5	-	-	
26	66.04	63.50											87891-0310	6.49	2.00	2.00	5	-	-
27	68.58	66.04											12.14	5.84	3.81	4	-	-	
28	71.12	68.58											10.80	5.89	2.41	5	-	-	
29	73.66	71.12											35.10	29.71	3.10	6	-	-	
30	76.20	73.66											10.09	4.00	3.60	5	-	-	
31	78.74	76.20											9.80	4.00	3.31	5	-	-	
32	81.28	78.74											31.00	25.54	2.97	5	-	-	
33	83.82	81.28											12.14	6.75	2.90	5	-	REFER 878910418-RPK (FOR 87891-0418)	
34	86.36	83.82											12.14	6.75	2.90	4	-	-	
35	88.90	86.36											16.31	15.11	9.01	3.61	5	A	-
36	91.44	88.90											18.03	13.54	2.00	5	-	-	
37	93.98	91.44											13.09	8.00	2.80	5	A	-	
38	96.52	93.98																	
39	99.06	96.52																	
40	101.60	99.06																	

FUNCTIONAL SYMBOLS		THIS DRAWING CONTAINS INFORMATION THAT IS PROPRIETARY TO MOLEX ELECTRONIC TECHNOLOGIES, LLC AND SHOULD NOT BE USED WITHOUT WRITTEN PERMISSION		CURRENT REV DESC:		<b>molex</b>	
DIMENSION UNITS		SCALE		EC NO: 741471			
mm		NTS		DRWN: SUAIFR		CUSTOMER	
GENERAL TOLERANCES (UNLESS SPECIFIED)				2023/03/07		2.54MM PITCH, SINGLE ROW SINGLE WAFER, T/H HEADER	
4 PLACES ±		MM INCH		2023/03/08		PRODUCT CUSTOMER DRAWING	
3 PLACES ±				2023/03/09		DOCUMENT NUMBER	
2 PLACES ± 0.2				2023/03/09		SD-87891-001	
1 PLACE ±				INITIAL REVISION:		DOC TYPE	
0 PLACES ±				DRWN: KCHO		DOC PART	
ANGULAR TOL ± 3.0°				APPR: SLOW		REVISION	
DRAFT WHERE APPLICABLE MUST REMAIN WITHIN DIMENSIONS		THIRD ANGLE PROJECTION		DRAWING		SHEET NUMBER	
		A3-SIZE		SERIES		3 OF 5	
		87891		MATERIAL NUMBER		GENERAL MARKET	
		SEE TABLE		CUSTOMER			

F	ASSY W/CAP IN T&R	ASSY W/O CAP IN T&R	ASSY W/O CAP IN TUBE	ASSY W/CAP IN TUBE	PART NO. W/O CAP IN TRAY PACKAGING	PART NO. IN BULK PACKAGING	CKT SIZE	VOID PIN	KINK PIN	(G)			PLATING TYPE	CAP OPTION	REMARKS	
											OAL	MATING END				
											(F)	M				
-	-	-	-	-	87891-0500	-	05	-	-	-	11.94	6.10	3.30	5	-	-
-	-	-	-	-	87891-0505	-	05	-	-	-	11.94	6.10	3.30	5	-	-
-	-	-	-	-	87891-0501	-	05	-	-	-	13.62	8.08	3.05	5	-	-
-	-	-	-	-	87891-0502	-	05	2	-	-	10.80	5.89	2.41	5	-	-
-	-	-	-	-	87891-0503	-	05	2	-	-	45.00	13.51	29.00	5	-	-
-	-	-	-	-	87891-0504	-	05	2	-	-	45.00	13.51	29.00	3	-	-
-	-	-	-	-	87891-0507	-	05	4	-	-	10.92	5.84	2.59	3	-	-
-	-	-	-	-	-	87891-0508	05	2,4	-	-	11.38	5.84	3.05	5	-	-
-	-	-	-	-	87891-0522	-	05	2&4	-	-	19.49	13.00	4.00	5	-	-
-	-	-	-	-	87891-0516	-	05	-	-	-	32.49	16.00	14.00	4	-	-
-	-	-	-	-	87891-0517	-	05	-	-	-	23.62	17.32	3.81	5	-	-
-	-	-	-	-	87891-0523	-	05	-	-	-	7.29	2.40	2.40	5	-	-
-	87891-0521	-	-	-	-	-	05	-	-	10.10	9.89	2.80	4.60	5	A	-
-	-	-	-	-	87891-0601	-	06	-	-	-	11.30	5.84	2.97	1	-	-
-	-	-	-	-	87891-0602	-	06	-	-	-	12.80	8.00	2.31	5	-	-
-	-	-	-	-	87891-0606	-	06	-	-	-	11.30	5.84	2.97	5	-	-
-	-	-	-	-	87891-0610	-	06	-	-	-	11.30	5.84	2.97	5	-	-
-	-	-	-	-	87891-0607	-	06	-	-	-	13.75	8.08	3.18	5	-	-
-	-	-	-	-	87891-0608	-	06	-	-	-	18.03	13.54	2.00	5	-	-
-	-	-	-	-	87891-0609	-	06	-	-	-	28.30	22.16	3.65	5	-	-
-	-	-	-	-	87891-0611	-	06	-	-	-	28.30	22.16	3.65	5	-	-
87891-0613	-	-	-	-	-	-	06	-	-	22.99	21.99	16.00	3.50	5	A	-
-	-	-	-	-	87891-0615	-	06	-	-	-	14.49	10.00	2.00	1	-	-
-	-	-	-	-	87891-0624	-	06	-	-	-	26.10	19.81	3.80	5	-	-
-	-	-	-	-	87891-0700	-	07	-	-	-	11.94	6.10	3.30	5	-	-
-	-	-	-	-	87891-0702	-	07	-	-	-	11.94	6.10	3.30	5	-	-
-	-	-	-	-	87891-0751	-	07	-	-	-	13.74	8.00	3.25	5	-	-
87891-0007	-	-	-	-	-	-	07	-	-	-	13.72	9.65	1.78	6	-	-
-	-	-	-	-	87891-0851	-	08	-	-	-	13.74	8.00	3.25	5	-	-
87891-0807	-	-	-	-	-	-	08	-	-	13.59	12.59	7.90	2.20	5	A	-
-	-	-	-	-	87891-0808	-	08	-	-	-	20.53	13.72	4.32	3	-	-
-	-	-	-	-	87891-0809	-	08	-	-	-	11.30	5.84	2.97	5	-	-

<p>FUNCTIONAL SYMBOLS</p> <p><math>\nabla_A = 0</math></p> <p><math>\nabla_F = 0</math></p> <p><math>\nabla_P = 0</math></p> <p>DIVISIONAL SYMBOLS</p>										<p>THIS DRAWING CONTAINS INFORMATION THAT IS PROPRIETARY TO MOLEX ELECTRONIC TECHNOLOGIES, LLC AND SHOULD NOT BE USED WITHOUT WRITTEN PERMISSION</p> <p>SCALE: mm NTS</p> <p>GENERAL TOLERANCES (UNLESS SPECIFIED)</p> <table border="1"> <tr><th colspan="2">MM</th><th colspan="2">INCH</th></tr> <tr><td>4 PLACES</td><td>±</td><td></td><td>±</td></tr> <tr><td>3 PLACES</td><td>±</td><td></td><td>±</td></tr> <tr><td>2 PLACES</td><td>±</td><td>0.2</td><td>±</td></tr> <tr><td>1 PLACE</td><td>±</td><td></td><td>±</td></tr> <tr><td>0 PLACES</td><td>±</td><td></td><td>±</td></tr> </table> <p>ANGULAR TOL ± 3.0°</p> <p>DRAFT WHERE APPLICABLE MUST REMAIN WITHIN DIMENSIONS</p>										MM		INCH		4 PLACES	±		±	3 PLACES	±		±	2 PLACES	±	0.2	±	1 PLACE	±		±	0 PLACES	±		±	<p>CURRENT REV DESC:</p> <p>EC NO: 741471</p> <p>DRWN: SUAIFR</p> <p>CHK'D: SUAIFR</p> <p>APPR: MRAMAKRISHNA</p> <p>INITIAL REVISION:</p> <p>DRWN: KCHO</p> <p>APPR: SLOW</p>										<p><b>molex</b></p> <p>CUSTOM HEADER</p> <p>2.54MM PITCH, SINGLE ROW SINGLE WAFER, T/H HEADER</p> <p>PRODUCT CUSTOMER DRAWING</p> <p>DOCUMENT NUMBER: SD-87891-001</p> <p>DOC TYPE: PSD</p> <p>DOC PART: 000</p> <p>REVISION: D19</p> <p>MATERIAL NUMBER: SEE TABLE</p> <p>CUSTOMER: GENERAL MARKET</p> <p>SHEET NUMBER: 4 OF 5</p>									
MM		INCH																																																													
4 PLACES	±		±																																																												
3 PLACES	±		±																																																												
2 PLACES	±	0.2	±																																																												
1 PLACE	±		±																																																												
0 PLACES	±		±																																																												

ASSY W/CAP IN T&R	ASSY W/O CAP IN T&R	ASSY W/O CAP IN TUBE	ASSY W/CAP IN TUBE	PART NO. W/O CAP IN TRAY PACKAGING	PART NO. IN BULK PACKAGING	CKT SIZE	VOID PIN	KINK PIN	(G)		PLATING TYPE	CAP OPTION	REMARKS		
									(F)	M					
-	-	-	-	-	87891-2601	26	4,7,17	-	-	11.13	5.59	3.05	3	-	-
87891-1817	-	-	-	-	-	18	-	-	18.36	17.20	13.21	1.50	5	A	-
87891-1819	-	-	-	-	-	18	-	-	18.36	17.20	13.21	1.50	5	A	-
87891-1818	-	-	-	-	-	18	-	-	18.36	17.20	13.21	1.50	3	A	-
-	-	-	-	87891-2007	-	20	-	-	-	21.49	9.50	9.50	1	-	-
87891-2817	-	-	-	-	-	28	-	-	18.36	17.20	13.21	1.50	5	A	-
87891-2819	-	-	-	-	-	28	-	-	18.36	17.20	13.21	1.50	5	A	-
87891-2818	-	-	-	-	-	28	-	-	18.36	17.20	13.21	1.50	3	A	-
-	-	-	-	-	87891-3007	30	-	-	-	11.30	5.84	2.97	5	-	-
-	-	-	-	-	87891-3600	36	-	-	-	11.56	6.09	3.18	2	-	-
-	-	-	-	-	87891-4008	40	-	-	-	11.30	5.84	2.97	5	-	-
-	-	87891-4007	-	-	-	40	-	-	-	12.14	5.84	3.81	3	-	-

FUNCTIONAL SYMBOLS	THIS DRAWING CONTAINS INFORMATION THAT IS PROPRIETARY TO MOLEX ELECTRONIC TECHNOLOGIES, LLC AND SHOULD NOT BE USED WITHOUT WRITTEN PERMISSION													
	$\nabla_A = 0$ $\nabla_F = 0$ $\nabla_P = 0$	DIMENSION UNITS <b>mm</b>	SCALE <b>NTS</b>	CURRENT REV DESC:							 CUSTOM HEADER 2.54MM PITCH, SINGLE ROW SINGLE WAFER, T/H HEADER			
GENERAL TOLERANCES (UNLESS SPECIFIED)		MM    INCH		EC NO: 741471 DRWN: SUAIFR APPR: MRAMAKRISHNA					2023/03/07 2023/03/08 2023/03/09					
DIVISIONAL SYMBOLS	4 PLACES ±    ± 3 PLACES ±    ± 2 PLACES ± 0.2 ± 1 PLACE ±    ± 0 PLACES ±    ±		ANGULAR TOL ± 3.0°		INITIAL REVISION: DRWN: KCHO APPR: SLOW					2004/03/24 2004/04/08				
DRAFT WHERE APPLICABLE MUST REMAIN WITHIN DIMENSIONS			THIRD ANGLE PROJECTION		DRAWING		SERIES		MATERIAL NUMBER		CUSTOMER		SHEET NUMBER	
					A3-SIZE		87891		SEE TABLE		GENERAL MARKET		5 OF 5	

DOCUMENT STATUS	P1	RELEASE DATE	2023/03/09	04:23:59
-----------------	----	--------------	------------	----------