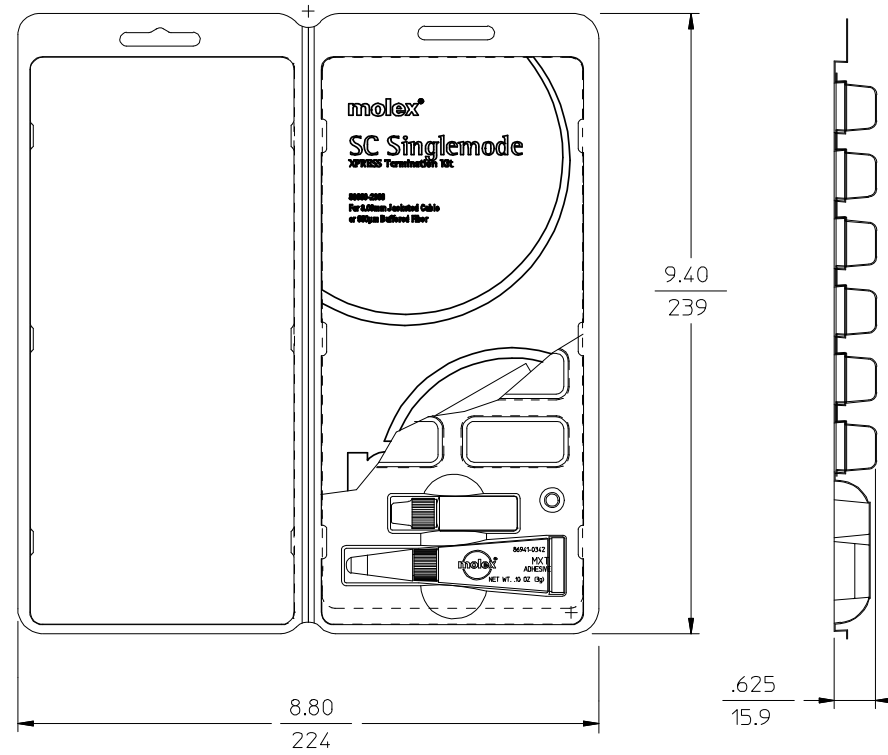


10 9 8 7 6 5 4 3 2 1



NOTES:

1. THE TWELVE SMALL COMPARTMENTS EACH CONTAIN THE COMPONENTS FOR ONE COMPLETE SC MXT CONNECTOR.
2. THE LARGE COMPARTMENTS CONTAIN ONE TUBE OF "MXT ADHESIVE" AND ONE BOTTLE OF ACCELERANT.

ENTER DESCRIPTION EEC NO: MF2008-0513 DRAWN:KPEVZNER CHKD: APPR: LGUMIN 2008/05/20 2008/05/20 2008/05/20	REV DESCRIPTION A1	QUALITY SYMBOLS ▽=0 ▽=0	GENERAL TOLERANCES (UNLESS SPECIFIED)		DIMENSION STYLE IN/MM		SCALE 1:2	DESIGN UNITS INCH	THIRD ANGLE PROJECTION		
			4 PLACES	±---	±---	DRAWN BY PGIBLIN	DATE 2005/10/18	TITLE XPRESS TERMINATION PACKAGE SC VERSION, SM			
			3 PLACES	±---	±---	CHECKED BY	DATE				
			2 PLACES	±---	±---	APPROVED BY		DATE	MOLEX INCORPORATED		
1 PLACE	±---	±---	MATERIAL NO. 1060002300			DOCUMENT NO. SD-106000-2300	SHEET NO. 1 OF 01				
DRAFT WHERE APPLICABLE MUST REMAIN WITHIN DIMENSIONS			ANGULAR ±1/2°		THIS DRAWING CONTAINS INFORMATION THAT IS PROPRIETARY TO MOLEX INCORPORATED AND SHOULD NOT BE USED WITHOUT WRITTEN PERMISSION						

9 8 7 6 5 4 3 2 1