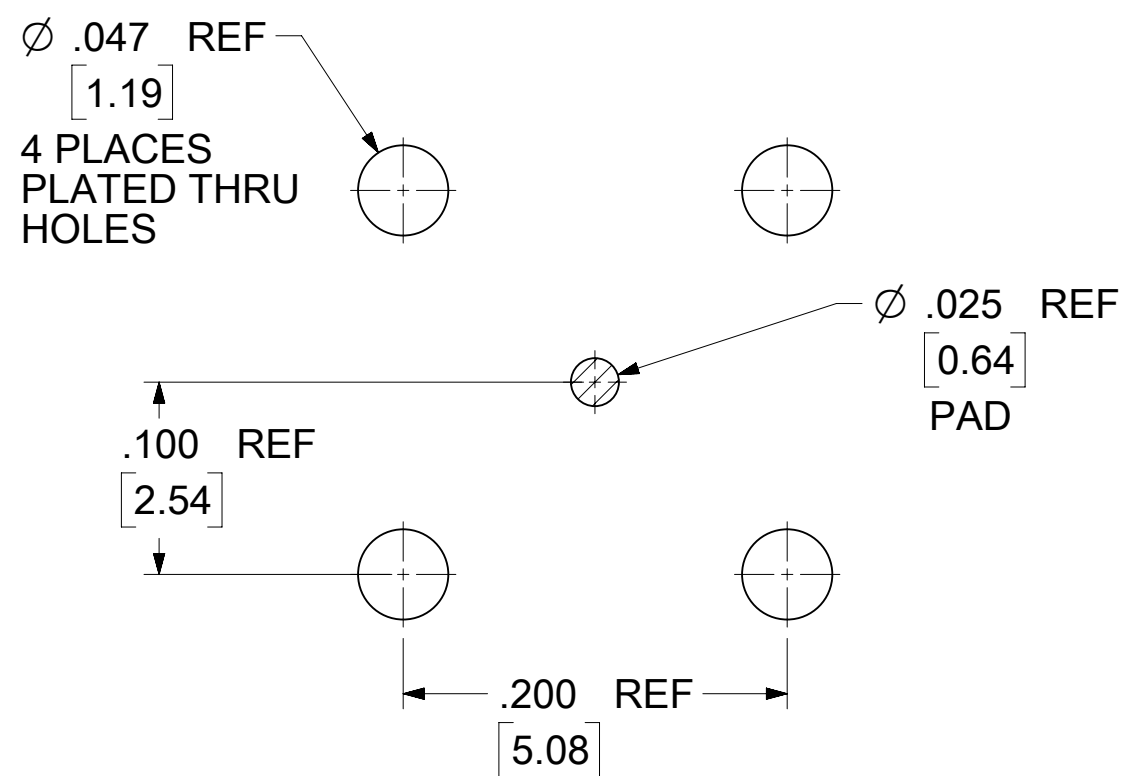
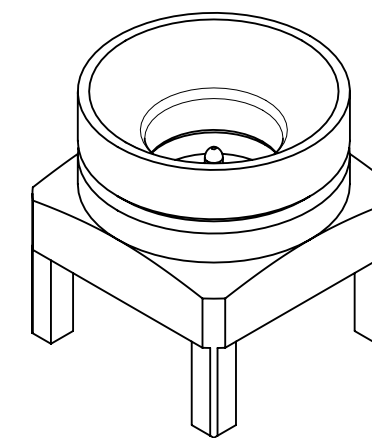


MATERIALS AND FINISHES:

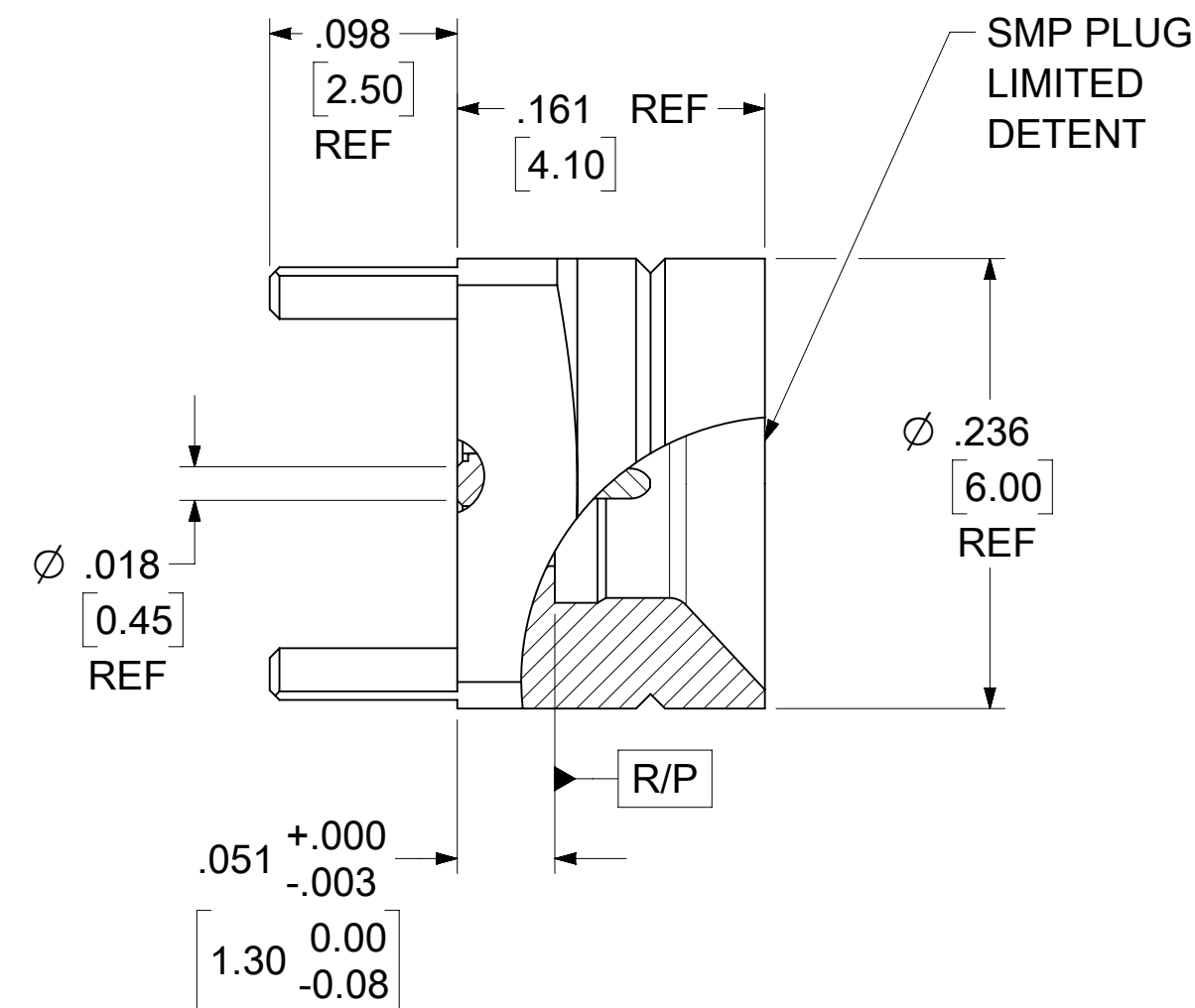
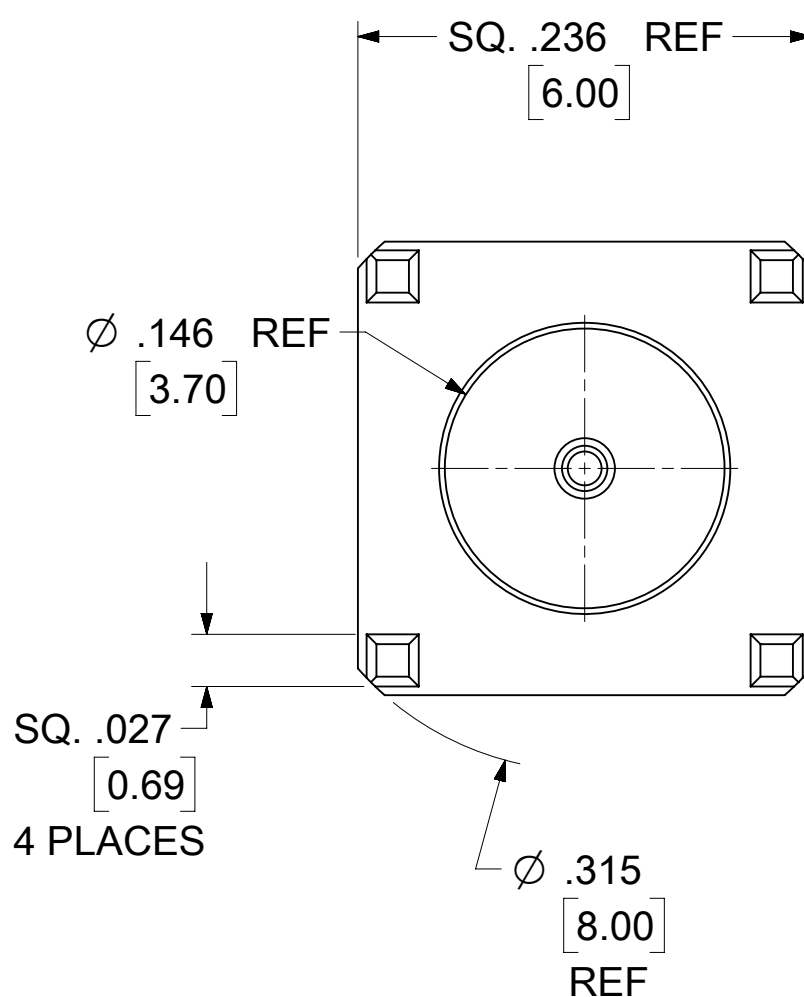
BODY: BRASS
 PLATED GOLD (8μ-in MIN)
 OVER NICKEL (80μ-in MIN)

CENTER CONTACT: BRASS
 PLATED GOLD (10μ-in MIN)
 OVER NICKEL (100μ-in MIN)

INSULATOR: PEEK



RECOMMENDED PCB LAYOUT



LABEL WITH EACH BAG
 FOR 73406-6692

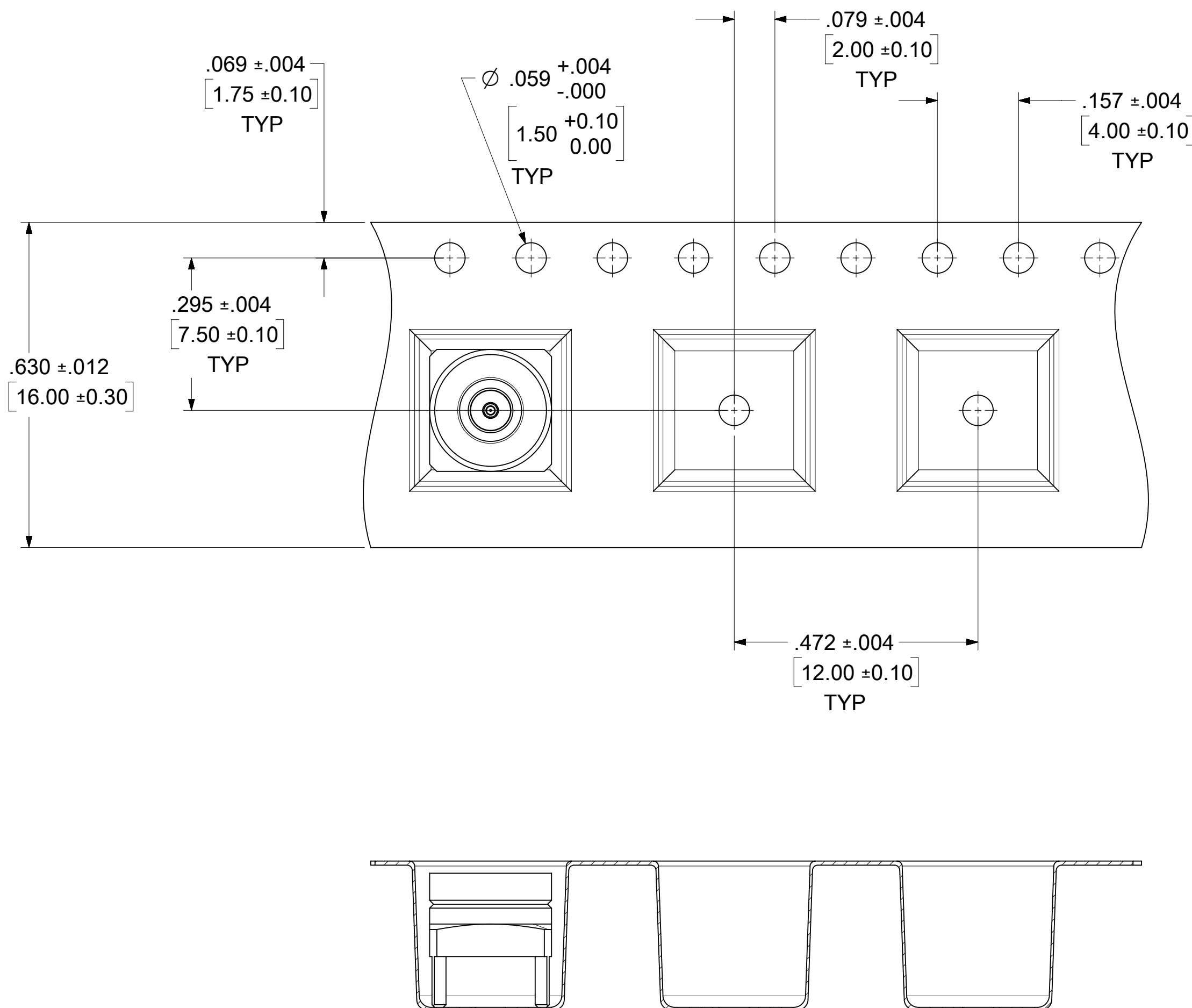
MOLEX P/N: 73406-6692
 DATE: YYWW

73406-6692	ONE PER BAG	895420470
73406-6691	TRAY	895420040
73406-6690	TAPE AND REEL	SEE SHEET 2 & 3
PART NO.	PACKAGING	PACKING SPEC

MIL-STD-348B, FIG. 326.3	INTERFACE
PS-89675-3320	PRODUCT SPECIFICATION
SPECIFICATION	DESCRIPTION

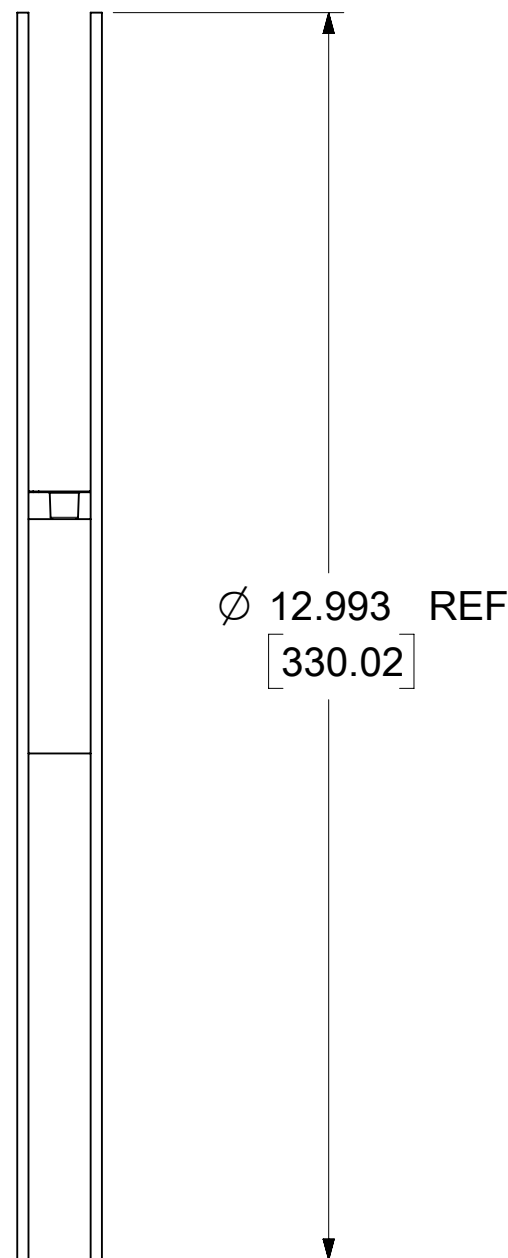
FUNCTIONAL SYMBOLS	THIS DRAWING CONTAINS INFORMATION THAT IS PROPRIETARY TO MOLEX ELECTRONIC TECHNOLOGIES, LLC AND SHOULD NOT BE USED WITHOUT WRITTEN PERMISSION											
	DIMENSION UNITS	SCALE	CURRENT REV DESC: ADD 73406-6692 FOR SMALL PACK PER EWR15321-D							molex		
$\frac{F}{A} = 0$	IN/MM	NTS	GENERAL TOLERANCES (UNLESS SPECIFIED)		EC NO: 718352							
$\frac{E}{C} = 0$	ANGULAR TOL $\pm 2.0^\circ$		4 PLACES \pm		DRWN: CWEI02		2022/08/16			SMP PLUG LD VERTICAL PCB TH GROUND SMT SIGNAL SMP-P/PCB, EWR-5264		
$\frac{E}{P} = 0$	3 PLACES \pm		2 PLACES ± 0.25		CHK'D: YCHENG		2022/08/23					
DIVISIONAL SYMBOLS	1 PLACE \pm		0 PLACES \pm		APPR: YCHENG		2022/08/23			PRODUCT CUSTOMER DRAWING		
DRAFT WHERE APPLICABLE MUST REMAIN WITHIN DIMENSIONS			THIRD ANGLE PROJECTION		DRAWING		SERIES		DOCUMENT NUMBER		DOC TYPE DOC PART REVISION	
					C-SIZE		73406		SD-73406-669		PSD 001 B3	
					MATERIAL NUMBER		CUSTOMER		SEE TABLE		GENERAL MARKET	
											SHEET NUMBER	
											1 OF 3	

NOTE: 10 PITCHES CUMULATIVE TOLERANCE ± .008 (0.20)

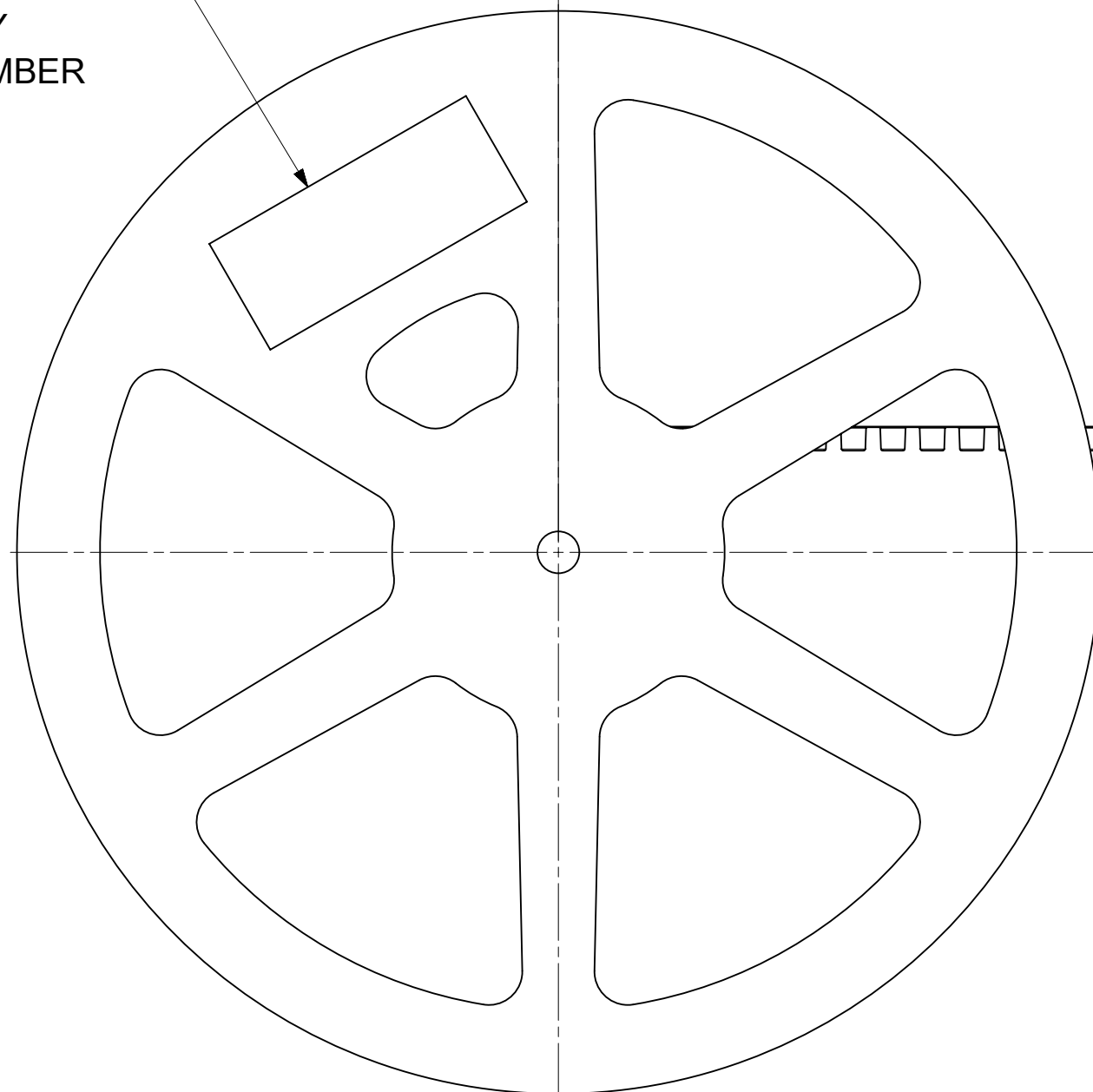


THIS DRAWING CONTAINS INFORMATION THAT IS PROPRIETARY TO MOLEX ELECTRONIC TECHNOLOGIES, LLC AND SHOULD NOT BE USED WITHOUT WRITTEN PERMISSION											
FUNCTIONAL SYMBOLS	DIMENSION UNITS	SCALE	CURRENT REV DESC: ADD 73406-6692 FOR SMALL PACK PER EWR15321-D								
$\frac{F}{A} = 0$	IN/MM	NTS	molex SMP PLUG LD VERTICAL PCB TH GROUND SMT SIGNAL SMP-P/PCB, EWR-5264 PRODUCT CUSTOMER DRAWING								
$\frac{F}{C} = 0$	GENERAL TOLERANCES (UNLESS SPECIFIED)										
$\frac{F}{P} = 0$	ANGULAR TOL ± 2.0°										
DIVISIONAL SYMBOLS	4 PLACES ±		EC NO: 718352	2022/08/16			DOCUMENT NUMBER				
	3 PLACES ±		DRWN: CWEI02	2022/08/23							
	2 PLACES ± 0.25		CHK'D: YCHENG	2022/08/23			SD-73406-669		DOC TYPE	DOC PART	REVISION
	1 PLACE ±		APPR: YCHENG	INITIAL REVISION:			PSD		001	B3	
	0 PLACES ±		DRWN: AROBERTSON	2013/10/28			SEE TABLE		SHEET NUMBER		
	DRAFT WHERE APPLICABLE MUST REMAIN WITHIN DIMENSIONS		APPR: JWIENER	2013/10/30			GENERAL MARKET		2 OF 3		
	THIRD ANGLE PROJECTION		DRAWING	SERIES	MATERIAL NUMBER		CUSTOMER		SHEET NUMBER		
			C-SIZE	73406	SEE TABLE		GENERAL MARKET		2 OF 3		

DOCUMENT STATUS	P1	RELEASE DATE	2022/08/23	12:44:04
-----------------	----	--------------	------------	----------



LABEL:
-ORDER NO.
-QUANTITY
-PART NUMBER
-LOT NO.



25 EMPTY UNITS
MINIMUM

ORDER QUANTITY
PACKED WITH 750
COMPONENTS

25 EMPTY UNITS
MINIMUM

HANDLING DIRECTION →

FUNCTIONAL SYMBOLS	THIS DRAWING CONTAINS INFORMATION THAT IS PROPRIETARY TO MOLEX ELECTRONIC TECHNOLOGIES, LLC AND SHOULD NOT BE USED WITHOUT WRITTEN PERMISSION									
	DIMENSION UNITS	SCALE	CURRENT REV DESC: ADD 73406-6692 FOR SMALL PACK PER EWR15321-D							
$\frac{F}{A} = 0$	IN/MM	NTS	molex SMP PLUG LD VERTICAL PCB TH GROUND SMT SIGNAL SMP-P/PCB, EWR-5264 PRODUCT CUSTOMER DRAWING							
$\frac{F}{C} = 0$	GENERAL TOLERANCES (UNLESS SPECIFIED)									
$\frac{F}{P} = 0$	ANGULAR TOL ± 2.0°									
DIVISIONAL SYMBOLS	4 PLACES	±	EC NO: 718352	2022/08/16						
	3 PLACES	±	DRWN: CWEI02	2022/08/23						
	2 PLACES	± 0.25	CHK'D: YCHENG	2022/08/23						
	1 PLACE	±	APPR: YCHENG	2022/08/23						
0 PLACES	±	INITIAL REVISION:								
DRAFT WHERE APPLICABLE MUST REMAIN WITHIN DIMENSIONS		THIRD ANGLE PROJECTION	DRAWING	SERIES	DOCUMENT NUMBER	CUSTOMER	DOC TYPE	DOC PART	REVISION	
			C-SIZE	73406	SD-73406-669	GENERAL MARKET	PSD	001	B3	
					SEE TABLE				SHEET NUMBER	
									3 OF 3	

DOCUMENT STATUS	P1	RELEASE DATE	2022/08/23	12:44:04
-----------------	----	--------------	------------	----------