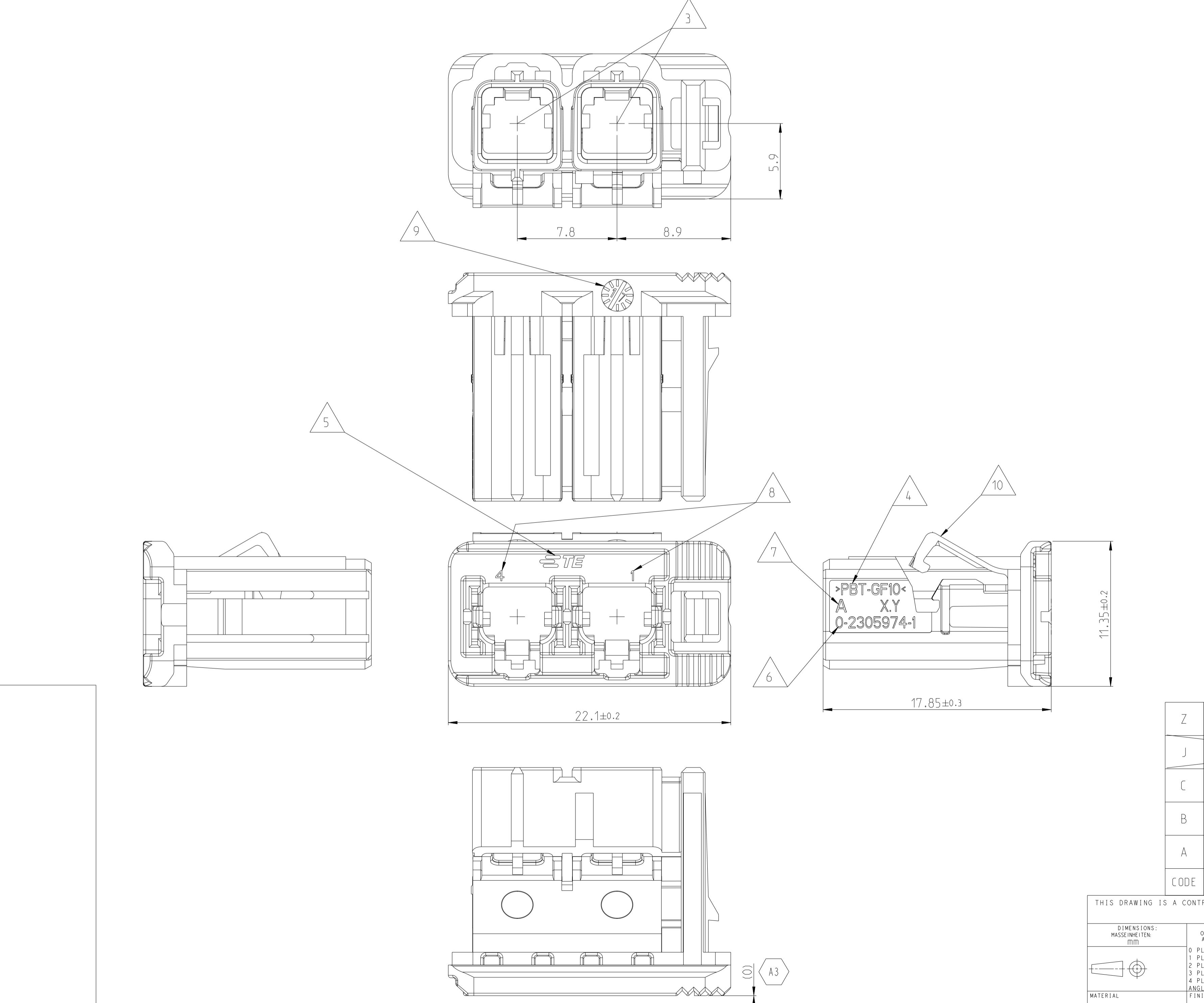
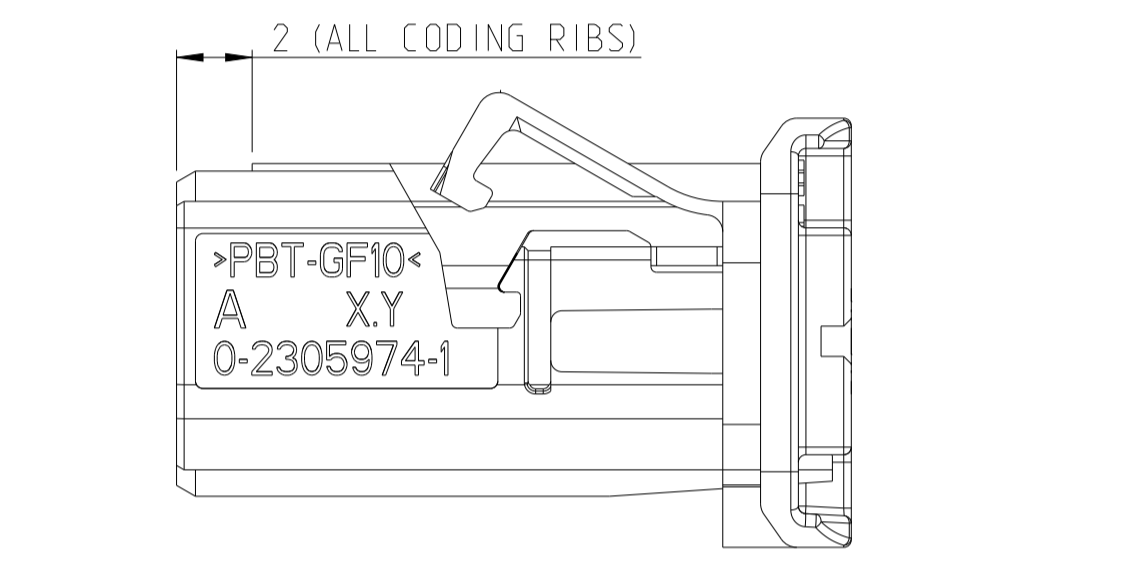
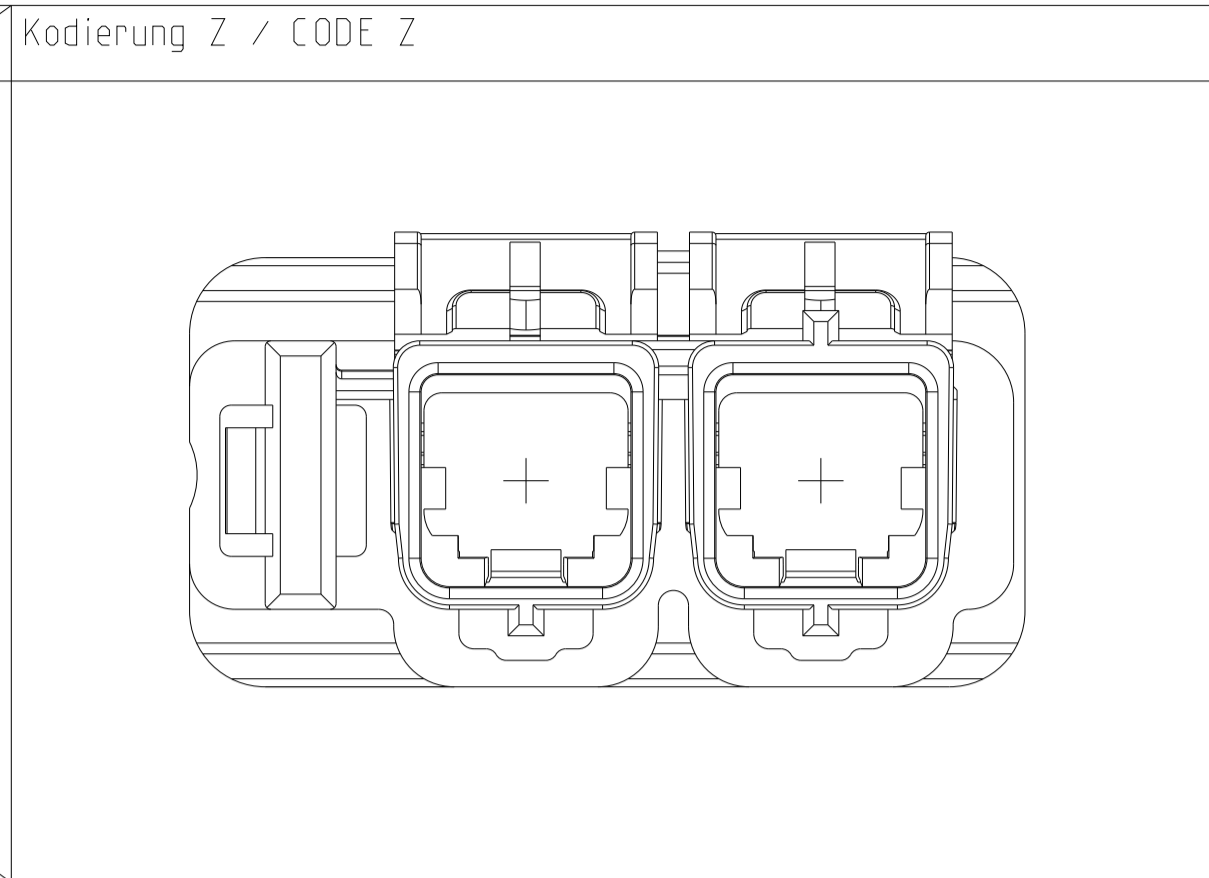
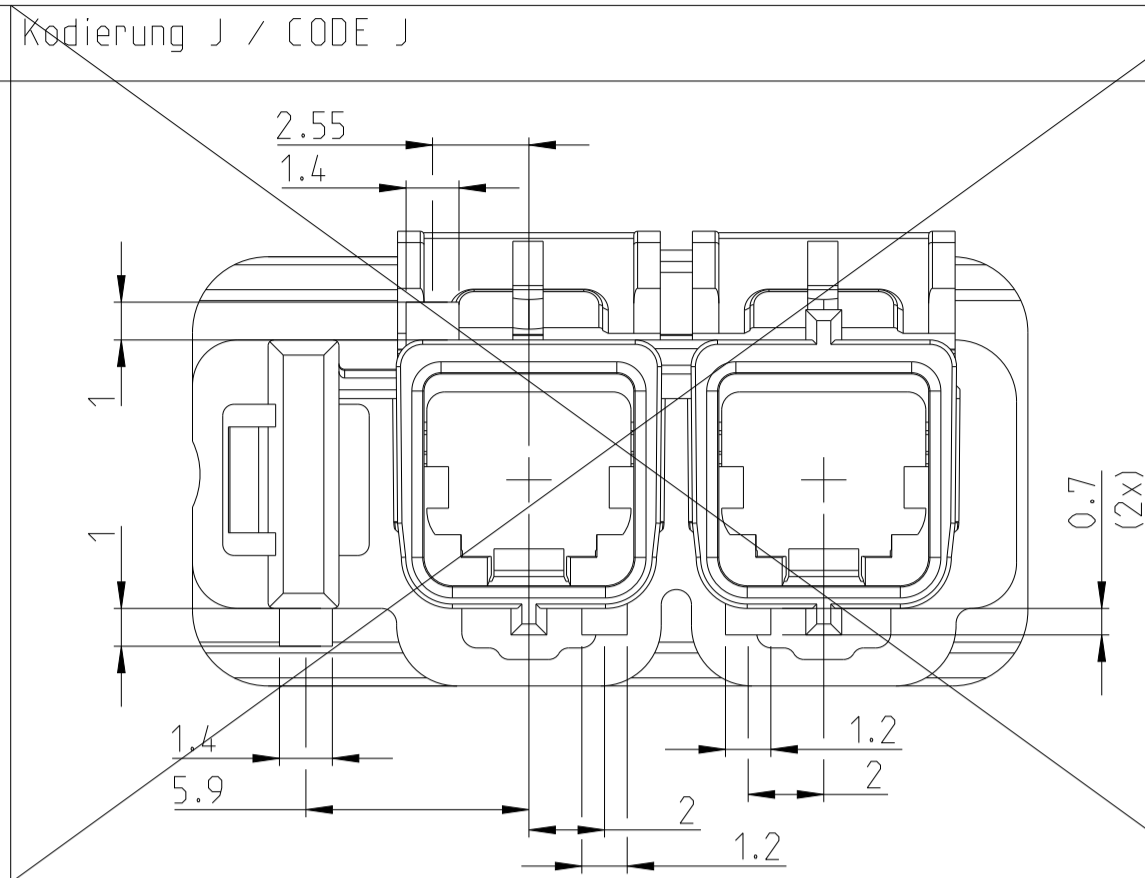
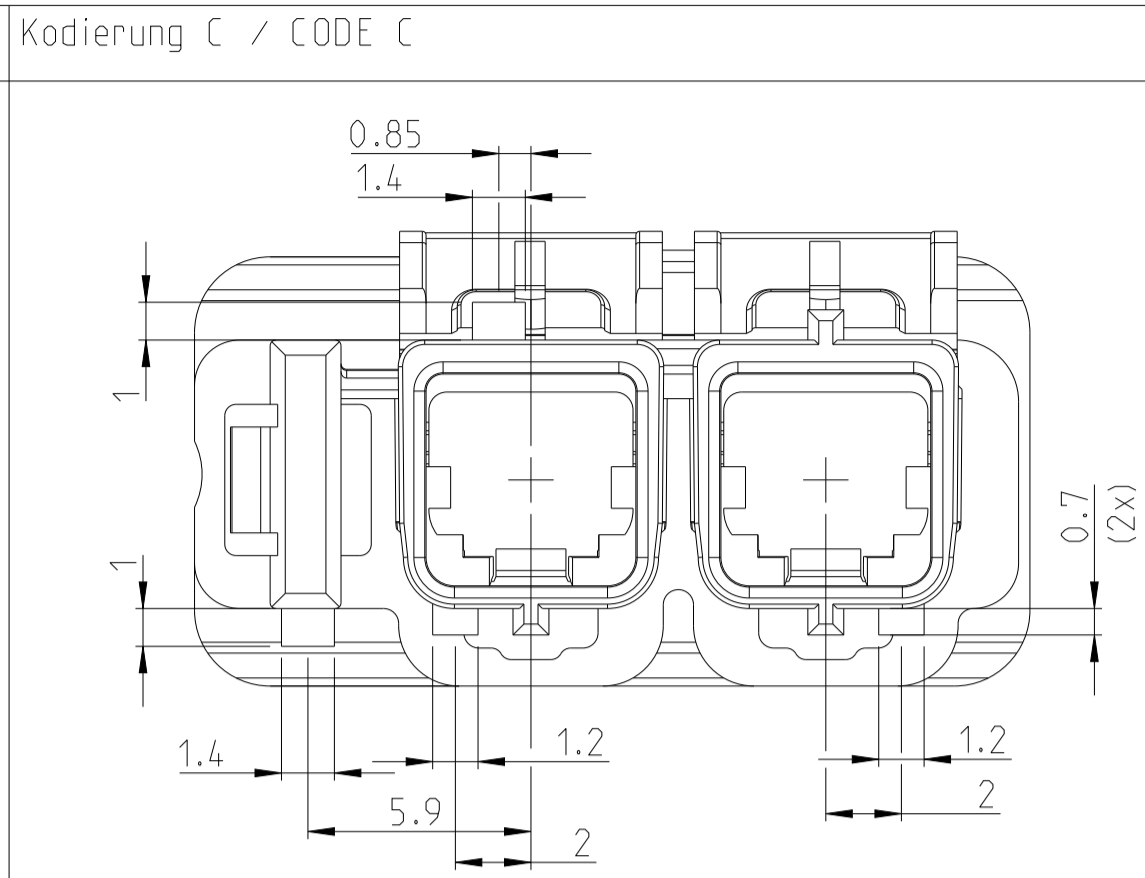
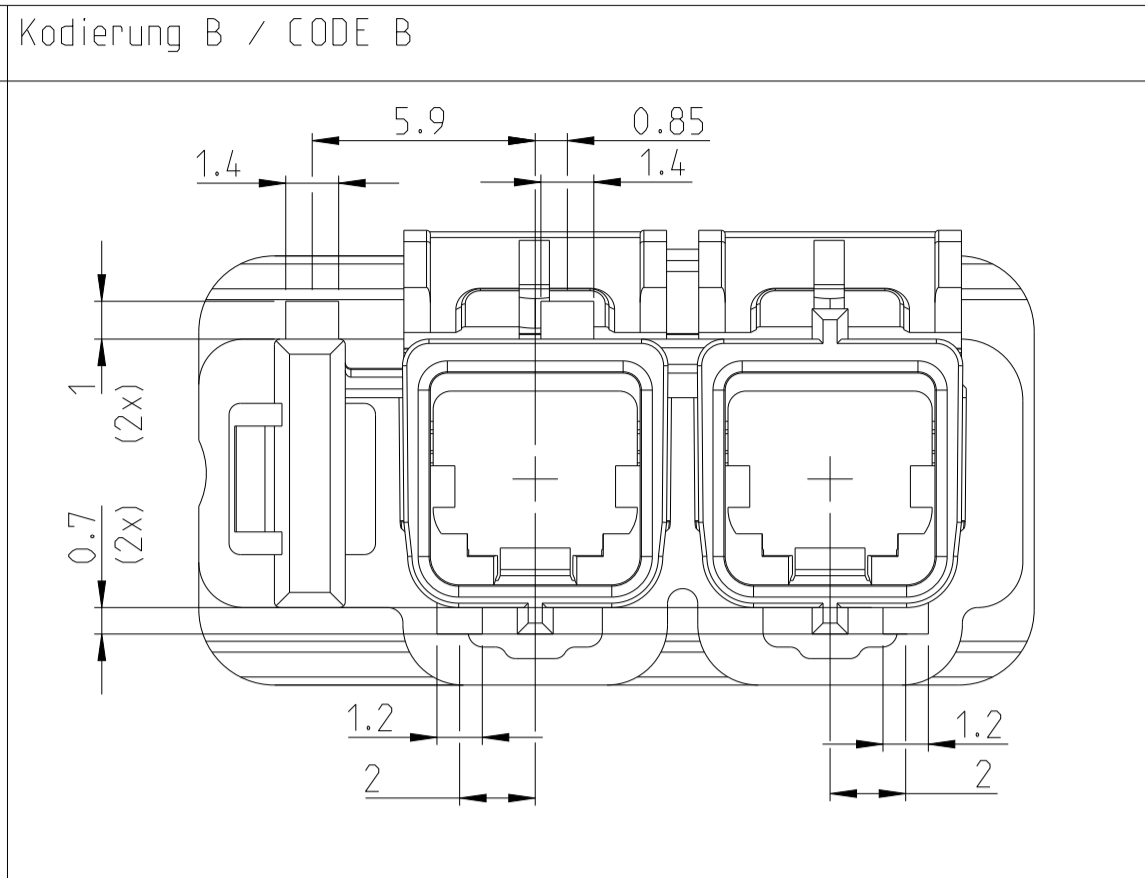
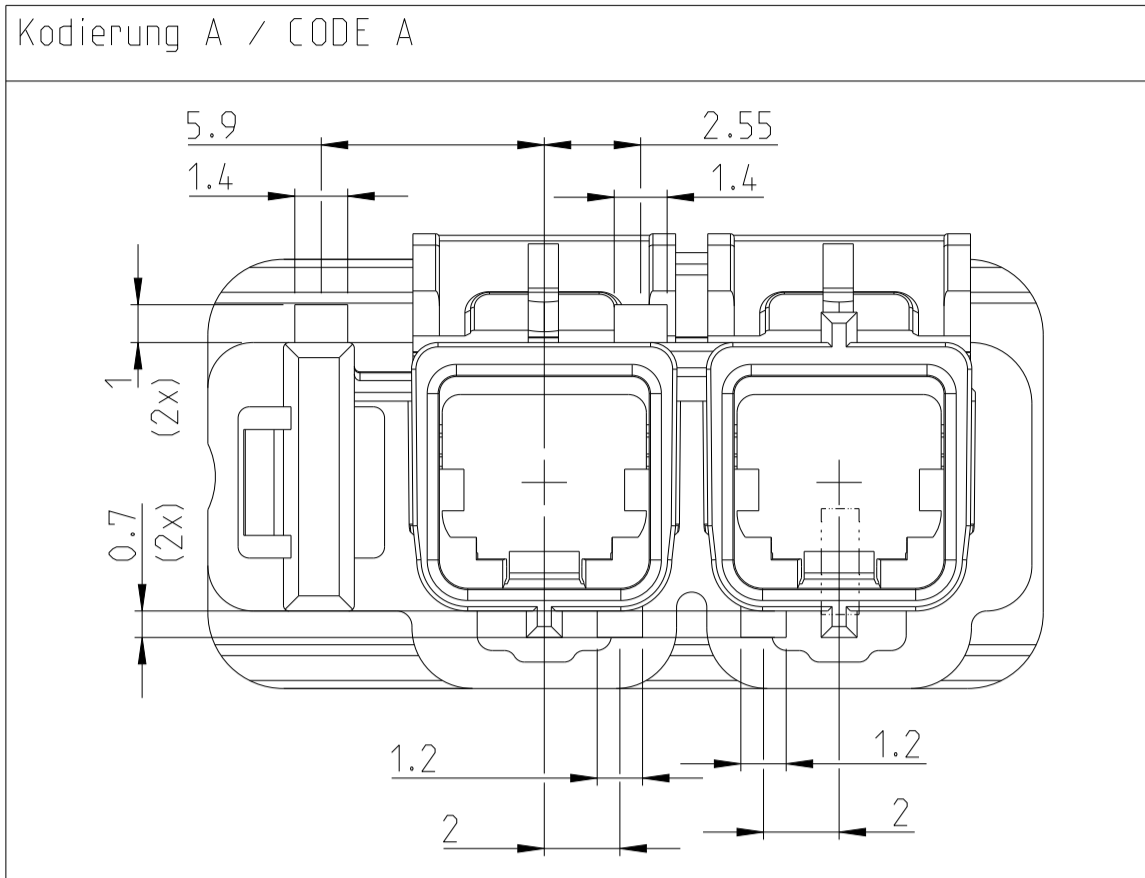
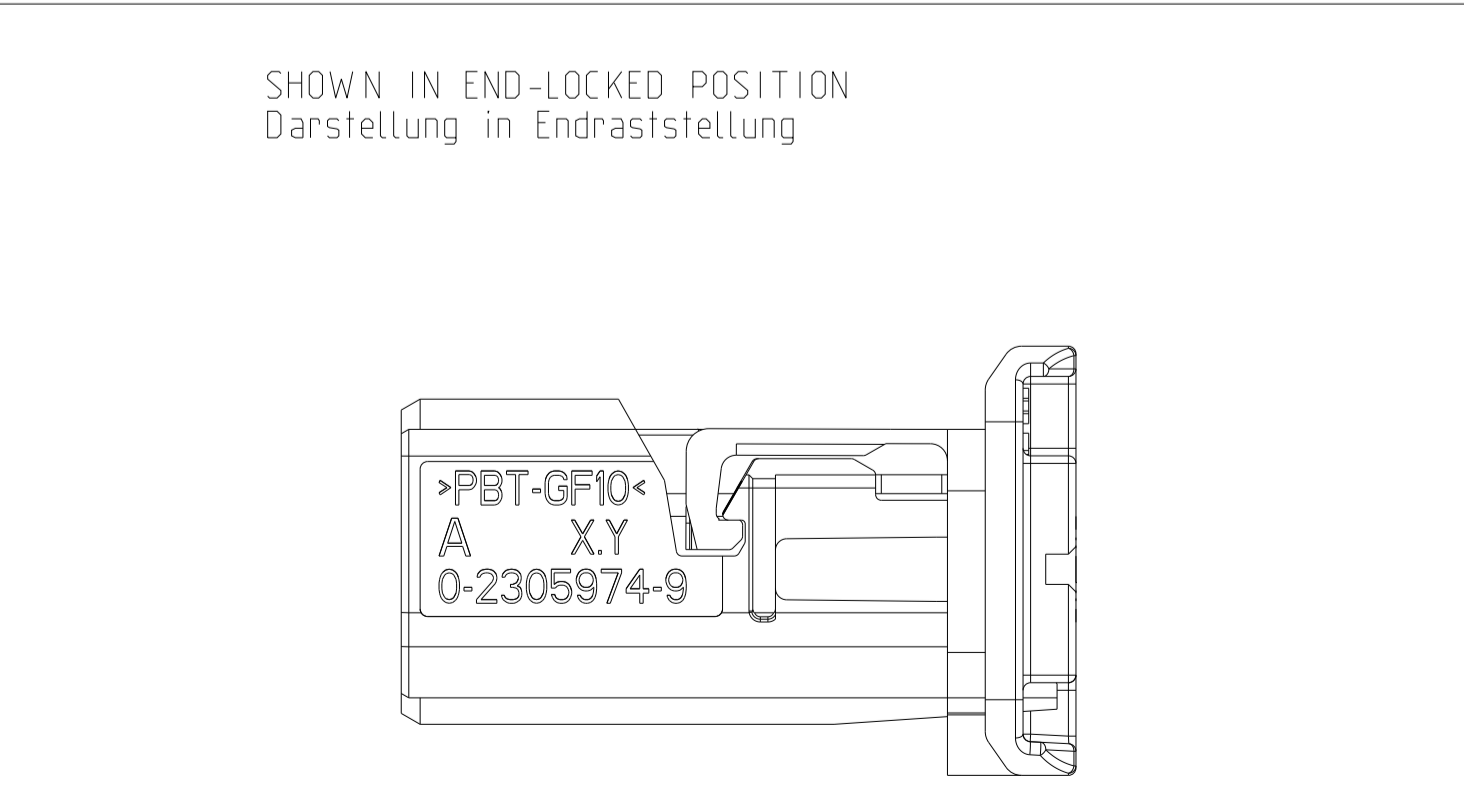


PROJEKT NR.:		REVISIONS ÄNDERUNGEN			
P.	LTA	DESCRIPTION BESCHREIBUNG	DATE	DWN	APVD
A		NEW DRAWING	130C T2016	K I J	AK
A1		E-17-011935	17AUG2017	RW	AK
A2		E-19-014867	11NOV2019	FF	AK
A3		PCN-22-128957 (removed optional long latch)	17FEB2022	RW	AK



- Notizen / NOTES
- 0-2305974-1 Kodierung A wie dargestellt
0-2305974-1 CODING A AS SHOWN
 - Passend zu Stiftwanne nach
TE-Schnittstellenzeichnung 208-18012
MATING TO PINHEADER ACC.
TE-INTERFACE DRAWING 208-18012
 - Kammer fuer MATenet 2Pos. NanoMQS female Insert module
TE PN 0-2302450-X
CAVITY FOR MATenet 2Pos. NanoMQS FEMALE INSERT MODULE
TE PN 0-2302450-X
 - Materialkennzeichnung
MATERIAL MARKING
 - TE-Logo
TE-LOGO
 - TE-Teile Nummer
TE-Part Number
 - Revisionsstand
PART REVISION
 - Kontaktkammernummer
CONTACT CAVITY NUMBER
 - Produktionsdatum
PRODUCTION DATE
 - Anlieferungszustand: 2. Kontaktsicherung geöffnet
DELIVERY CONDITION: RETAINER IN OPEN POSITION
 - Verpackung: Schuetztgut im Beutel im Karton
PACKAGING: LOOSE PIECES IN BAG IN BOX



CODE	PART No.	REV.	DESCRIPTION	MATERIAL	WEIGHT [g]	COLOUR similar RAL
Z	0-2305974-9	A	Dual-Port MATenet Frame, Code Z	PBT-GF10 0% regrind	1.5	water-blue 5021
J	0-2305974-7	A	Dual-Port MATenet Frame, Code J		1.5	beige 1001
C	0-2305974-3	A	Dual-Port MATenet Frame, Code C		1.5	blue 5012
B	0-2305974-2	A	Dual-Port MATenet Frame, Code B		1.5	white 9010
A	0-2305974-1	A	Dual-Port MATenet Frame, Code A		1.5	black 9011
CODE	PART No.	REV.	DESCRIPTION		MATERIAL	WEIGHT [g]

THIS DRAWING IS A CONTROLLED DOCUMENT.

DIMENSIONS: MASSENHEITEN: mm

TOLERANCES UNLESS OTHERWISE SPECIFIED: ALLGEMEINTOLERANZEN

0 PLC	±0.2
1 PLC	±0.1
2 PLC	±0.1
3 PLC	±0.1
4 PLC	±0.1
ANGLES/WINKEL	±0.1°
FINISH/OBERFLÄCHE/FARBE	±0.1

MATERIAL: SEE TABLE

WEIGHT: see table

CUSTOMER DRAWING

DWN: J. KLEISSWITZER
CHK: R. WUERKER

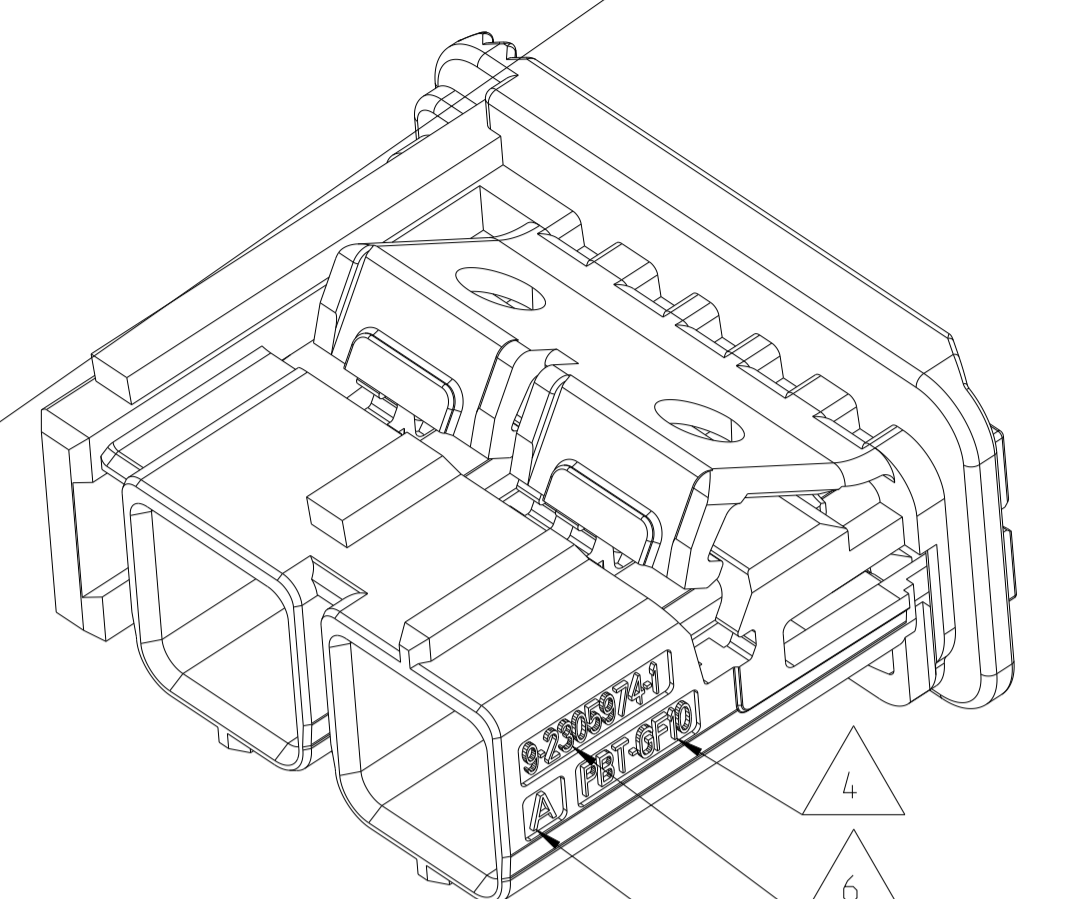
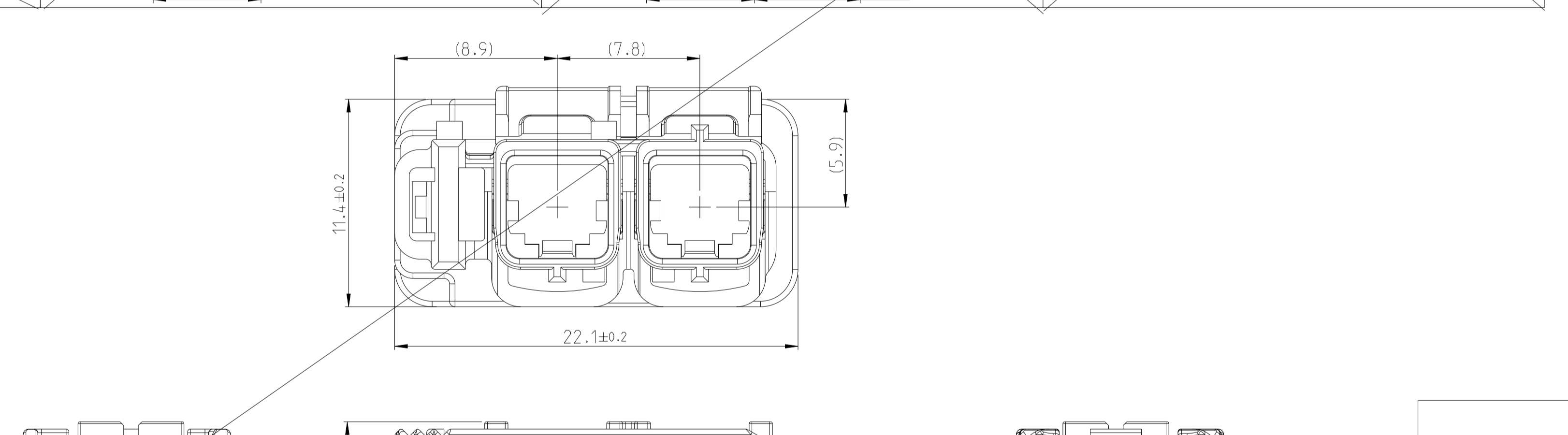
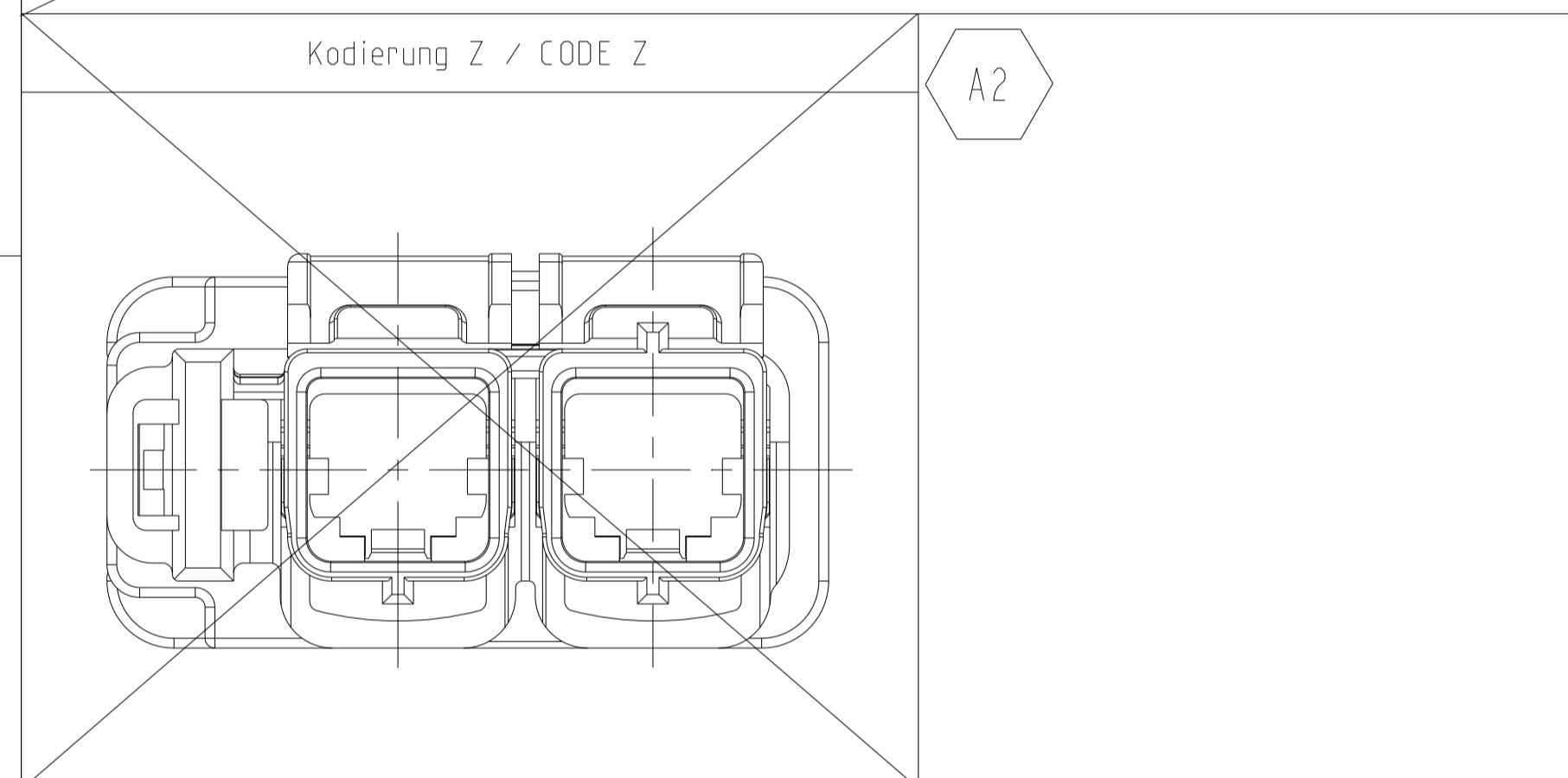
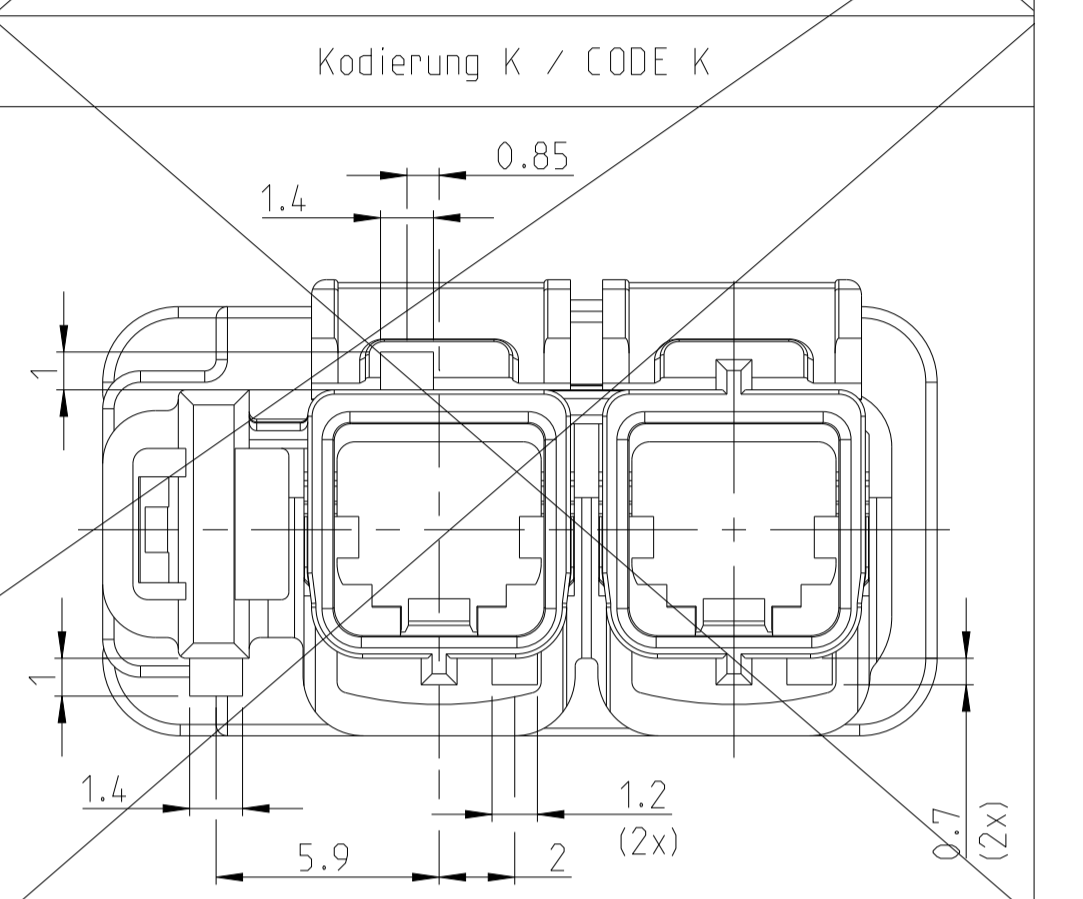
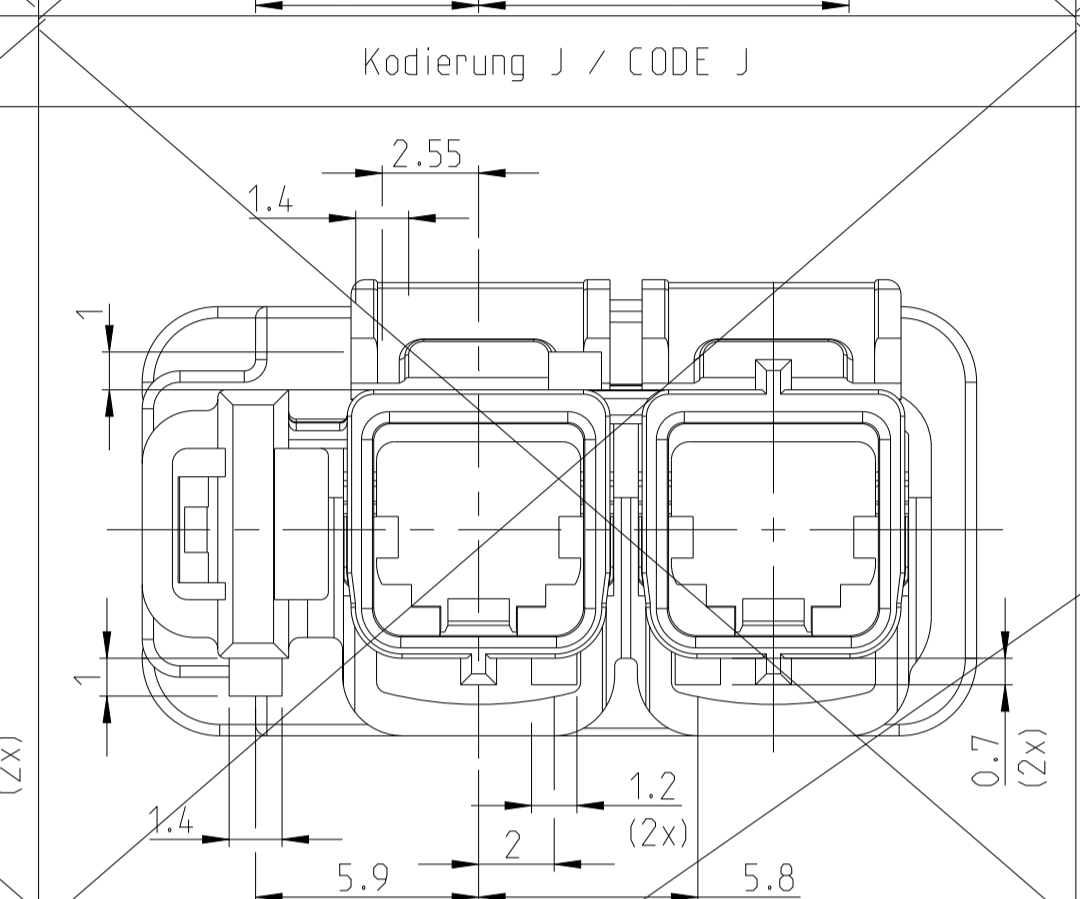
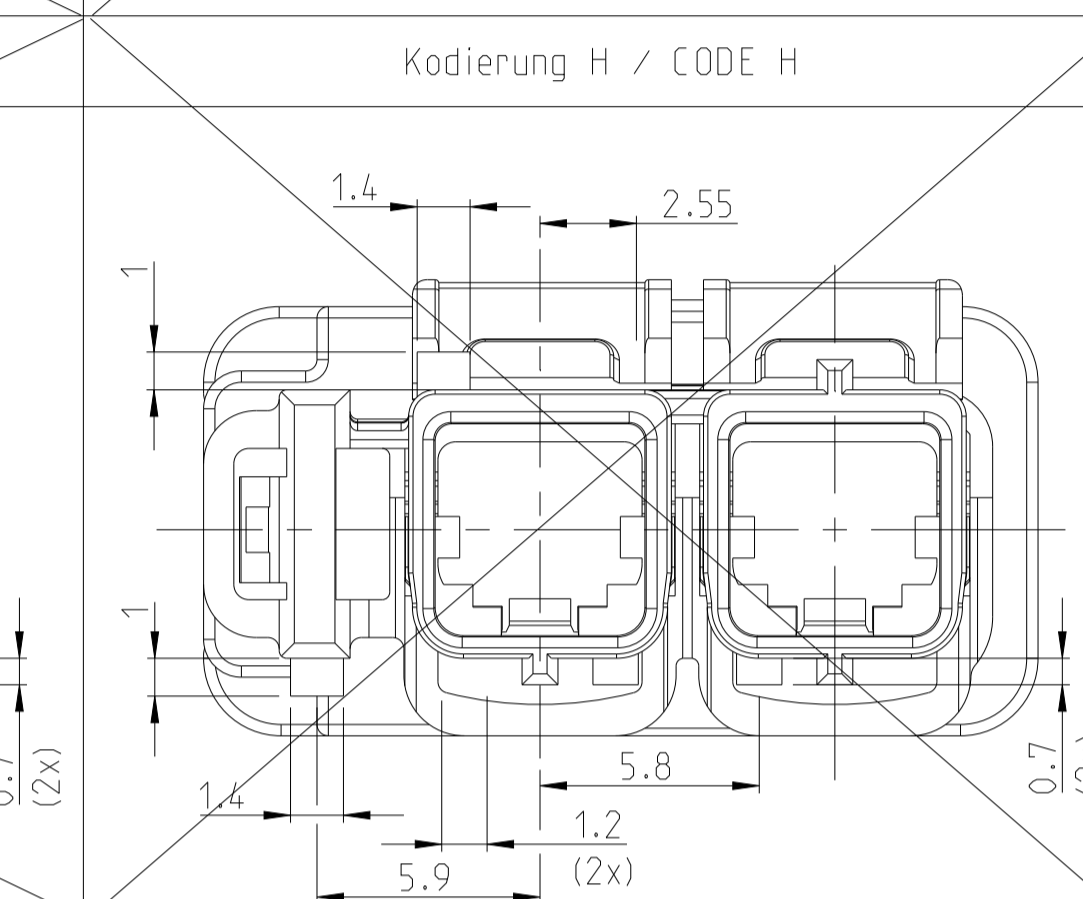
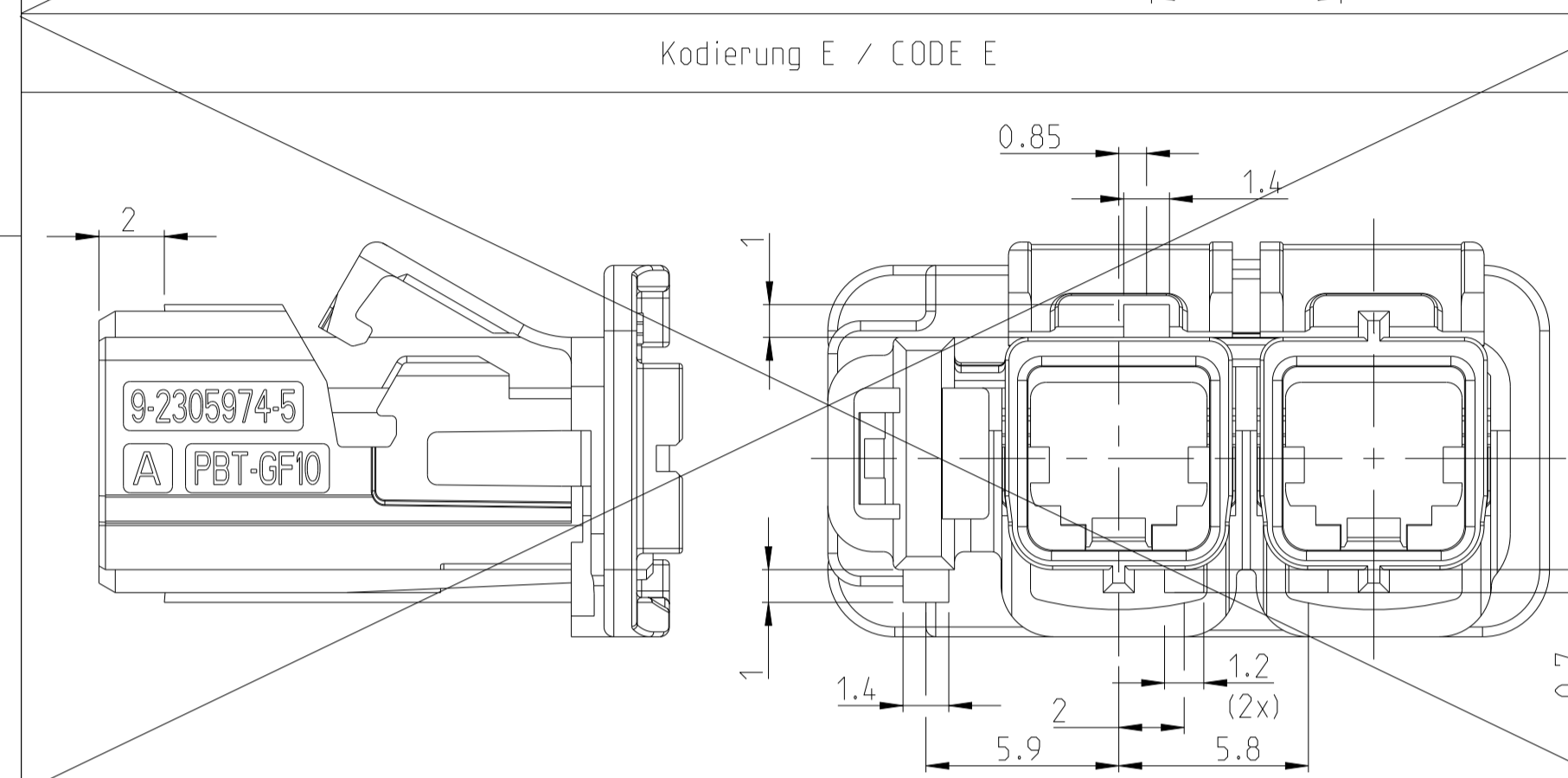
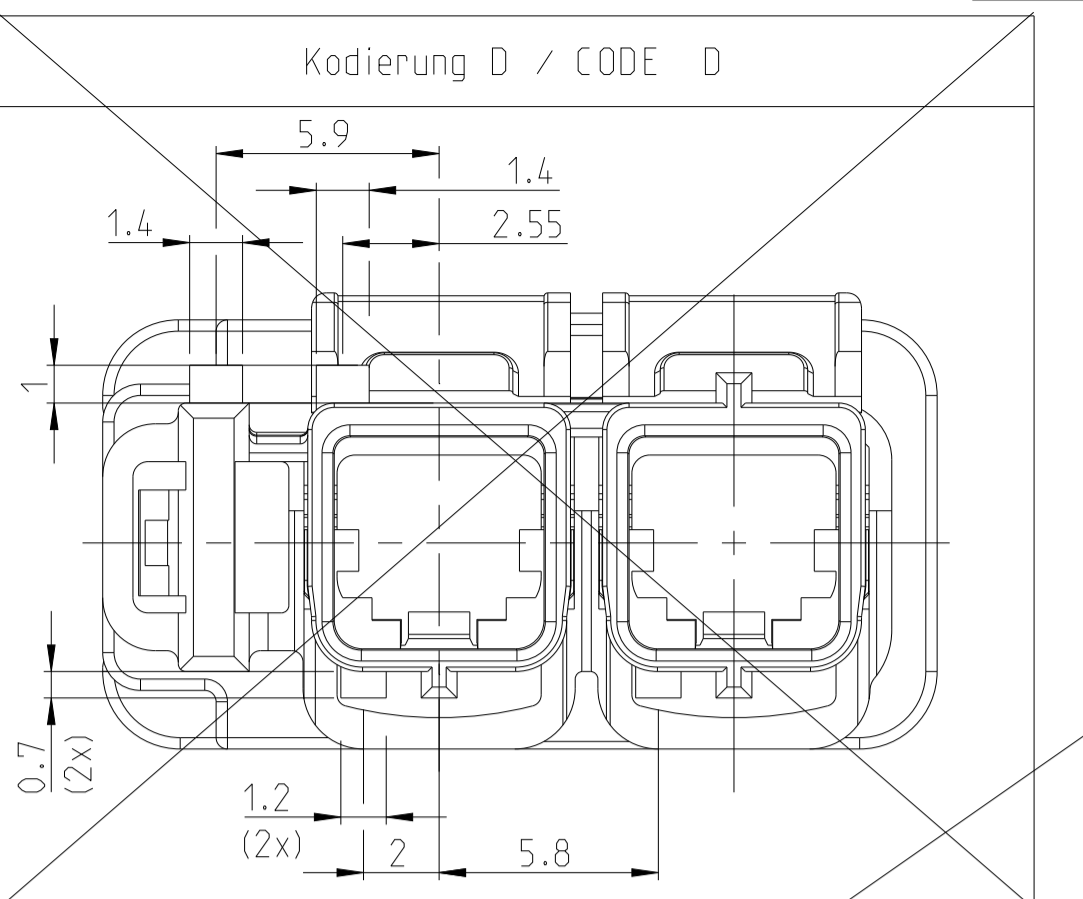
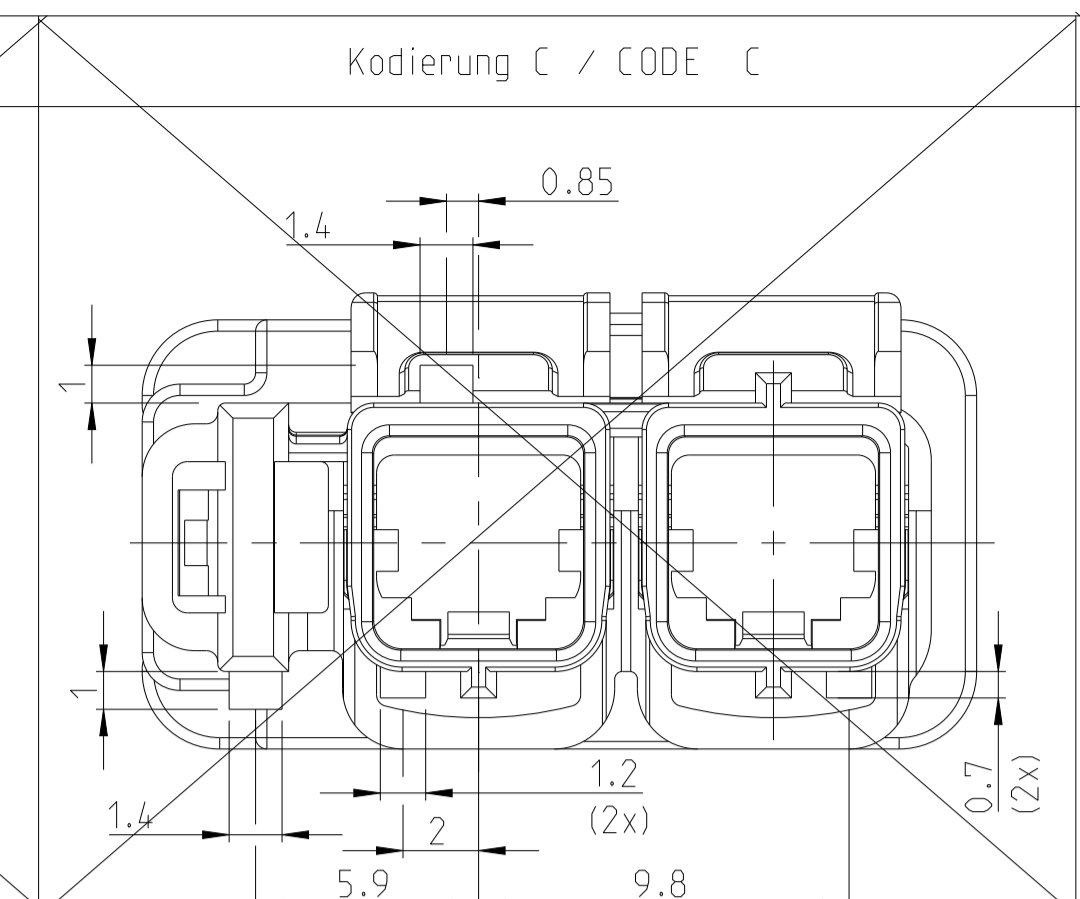
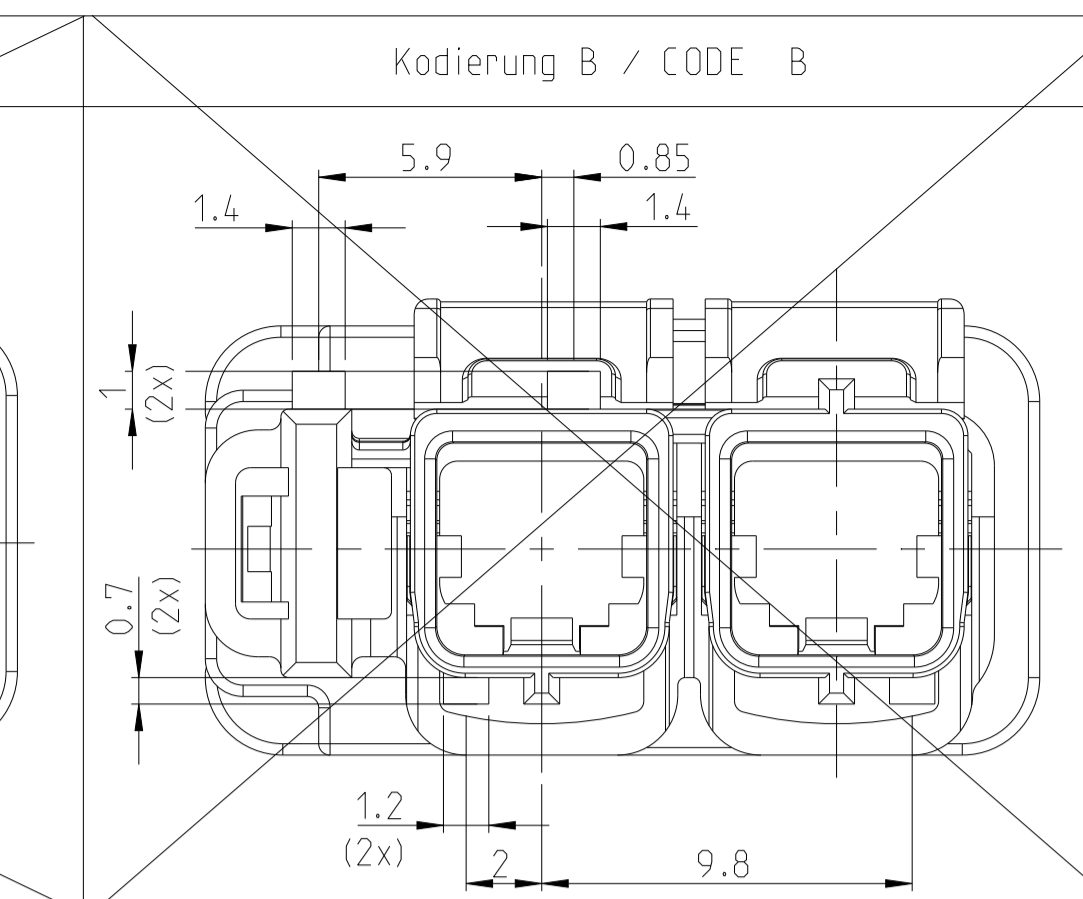
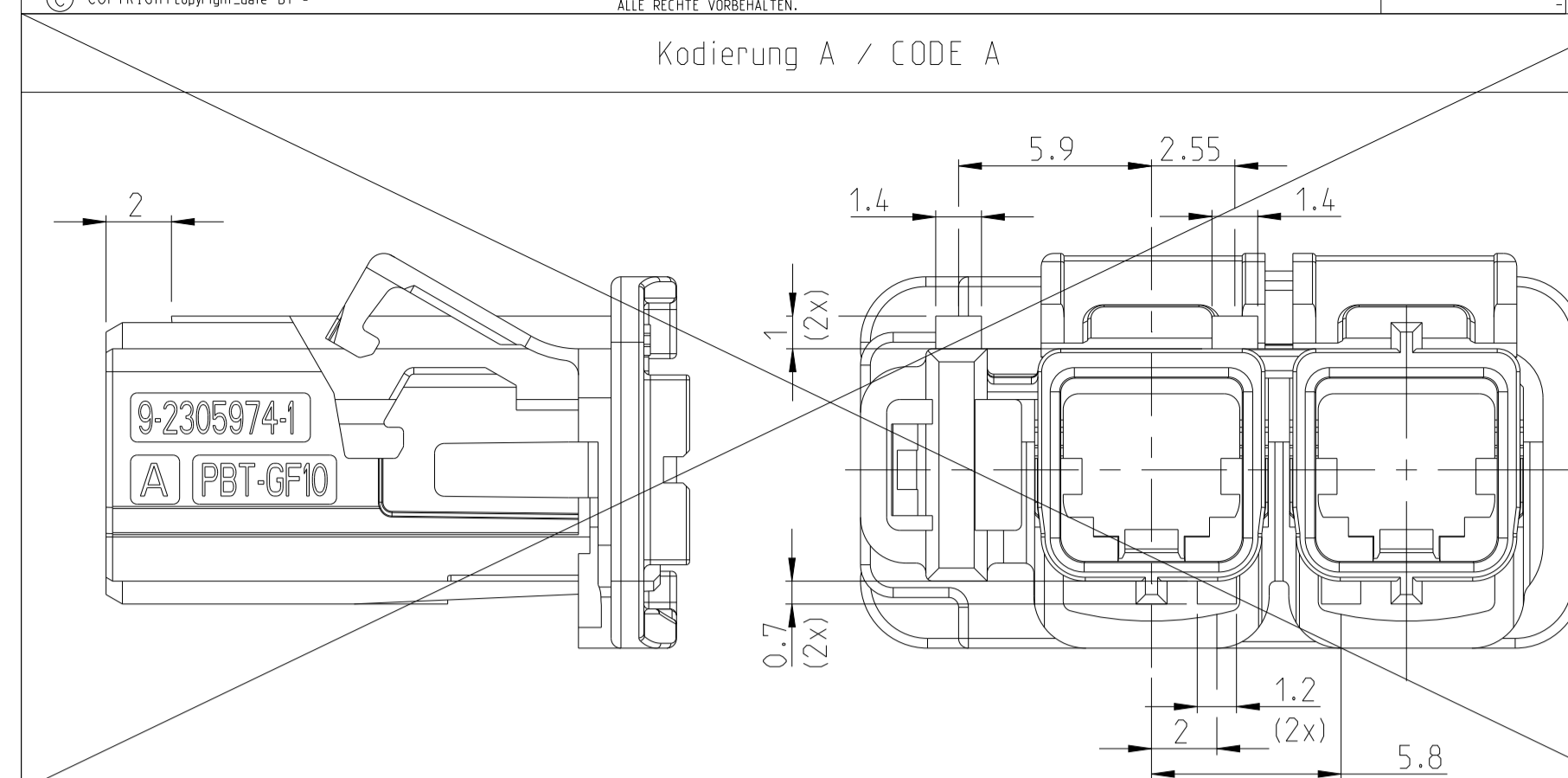
DATE: 23AUG2016
130C T2016

NAME: Dual-Port MATenet Frame
DUAL-PORT MATenet FRAME

SIZE: A1
CAGE CODE: 00779
DRAWING NO: 0-2305974

RESTRICTED TO: NUR FÜR

SCALE: MASSSTAB 5:1
SHEET: 1 OF 2
REV: A3

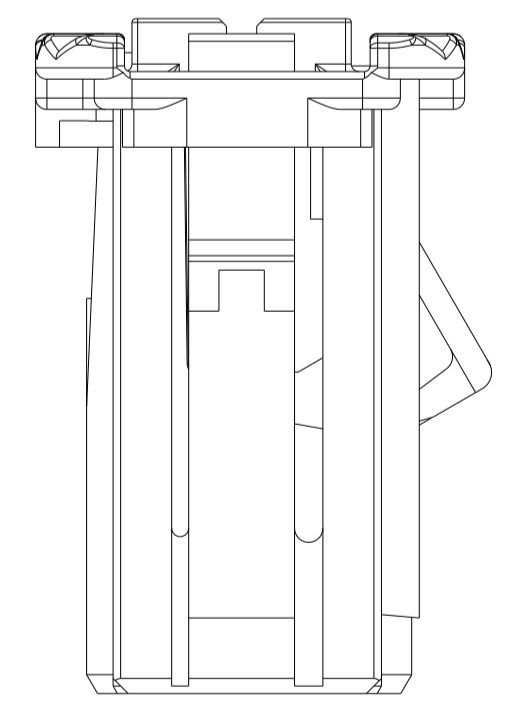
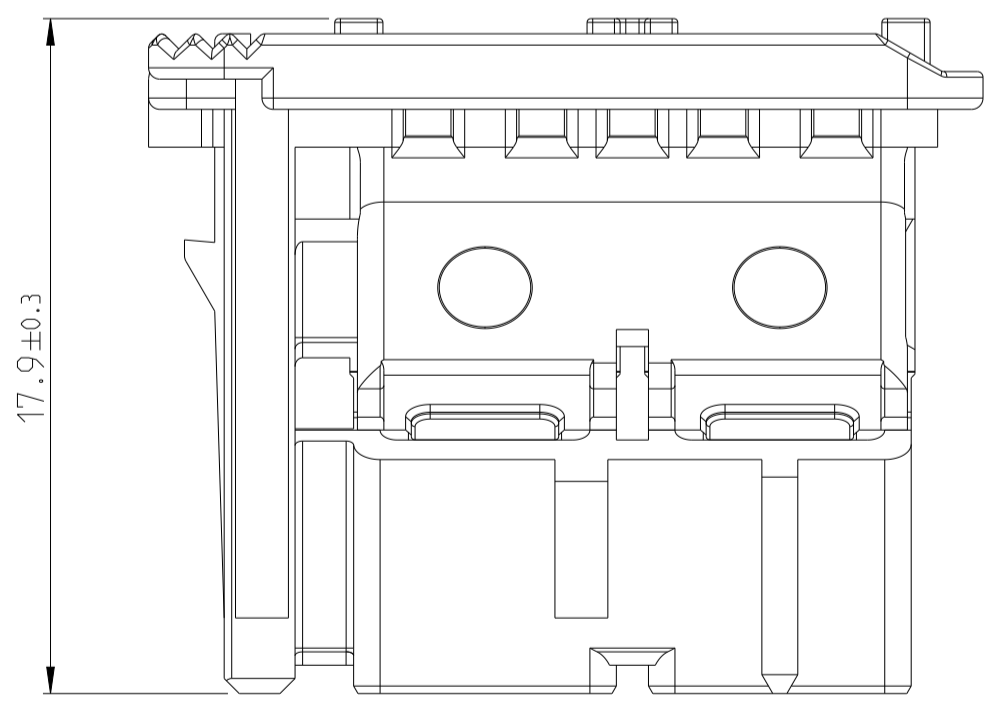
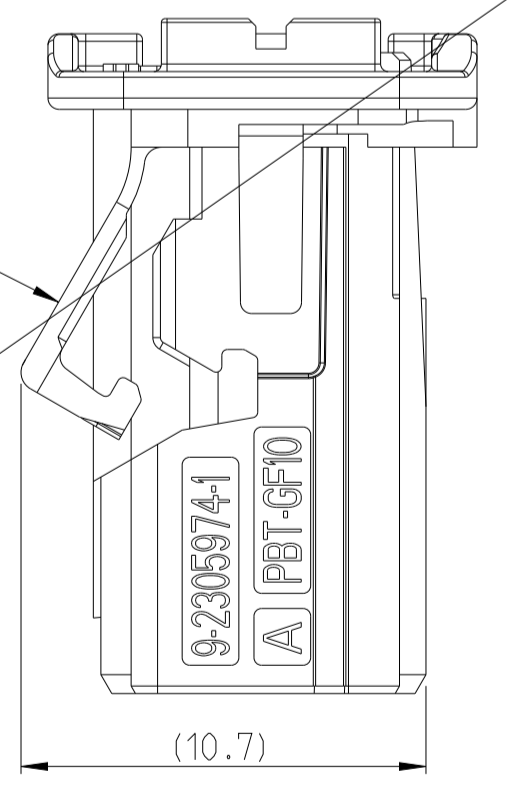
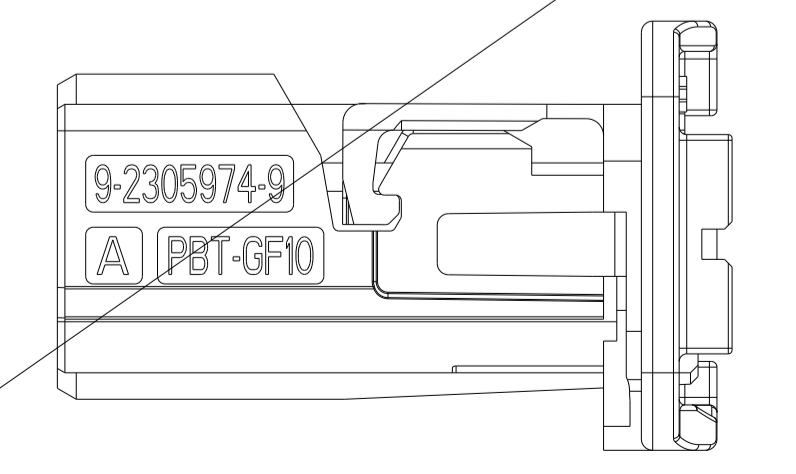


- Notizen / NOTES
- 9-2305974-1 Kodierung A wie dargestellt
9-2305974-1 CODING A AS SHOWN
 - Passend zu Stiftwanne nach
TE-Schnittstellenzeichnung 208-18012
MATING TO PINHEADER ACC.
TE-INTERFACE DRAWING 208-18012
 - Kammer fuer MATenet 2Pos. NanoMQS female Insert module
TE PN 9-2302450-X
CAVITY FOR MATenet 2Pos. NanoMQS FEMALE INSERT MODULE
TE PN 9-2302450-X
 - Materiale Kennzeichnung
MATERIAL MARKING
 - TE-Logo
TE-LOGO
 - TE-Teile Nummer
TE-Part Number
 - Revisionsstand
PART REVISION
 - Kontaktkammernummer
CONTACT CAVITY NUMBER
 - Produktionsdatum
PRODUKTION DATE
 - Anlieferzustand: 2. Kontaktsicherung geöffnet
DELIVERY CONDITION: RETAINER IN OPEN POSITION
 - Verpackung: Schuetttgut im Beutel im Karton
PACKAGING: LOOSE PIECES IN BAG IN BOX

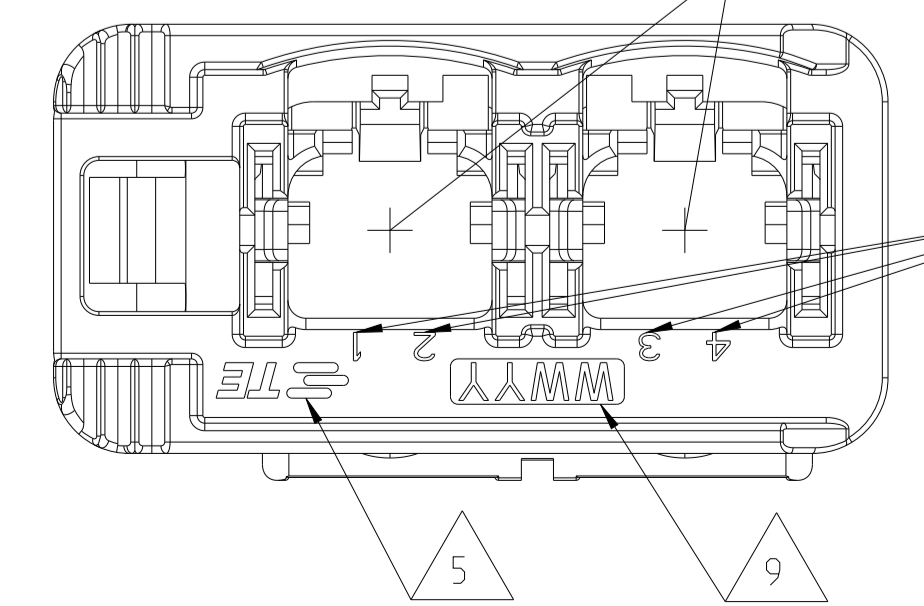
B-MUSTER PROTOTYPE B-SAMPLE

CODE	PART No.	REV.	DESCRIPTION	MATERIAL	WEIGHT [g]	COLOR similar RAL
Z	9-2305974-9	A	Dual-Port MATenet Frame, Code Z	PBT-GF10 0% Re grind	1.3	water-blue 5021
K	9-2305974-8	A	Dual-Port MATenet Frame, Code K		1.3	curry yellow 1027
J	9-2305974-7	A	Dual-Port MATenet Frame, Code J		1.3	beige 1001
H	9-2305974-6	A	Dual-Port MATenet Frame, Code H		1.3	heather violet 4003
E	9-2305974-5	A	Dual-Port MATenet Frame, Code E		1.3	green 6018
D	9-2305974-4	A	Dual-Port MATenet Frame, Code D		1.3	claret violet 4004
C	9-2305974-3	A	Dual-Port MATenet Frame, Code C		1.3	blue 5012
B	9-2305974-2	A	Dual-Port MATenet Frame, Code B		1.3	white 9010
A	9-2305974-1	A	Dual-Port MATenet Frame, Code A		1.3	black 9011

2. Kontaktsicherung geschlossen
 RETAINER CLOSED



OBSOLETE



THIS DRAWING IS A CONTROLLED DOCUMENT. DIMENSIONING AND TOLERANCING PER GDS (ISO STANDARDS)

DATE: 23 AUG 2016
 DRAWING NO: 114-914.31
 CUSTOMER DRAWING

TE Connectivity

Dual-Port MATenet Frame
 DUAL-PORT MATenet FRAME

SIZE: A1
 CAGE CODE: 00779
 DRAWING NO: 114-914.31
 SCALE: 1:1

RESTRICTED TO NEW PUR

SHEET 2 OF 2
 REV. A3