

LOC	DIST	REVISIONS					
GP	00	P	LTR	DESCRIPTION	DATE	DWN	APVD
		A		NEW RELEASE	03AUG2007	RG	PD

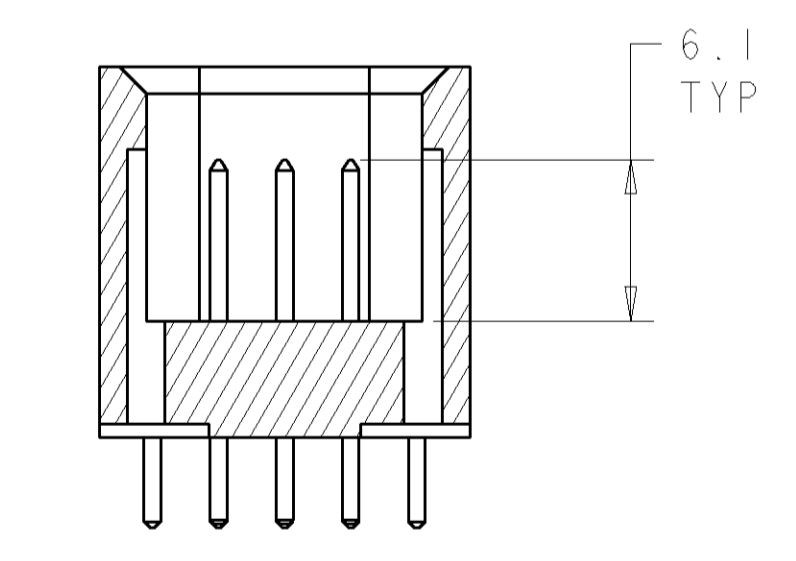
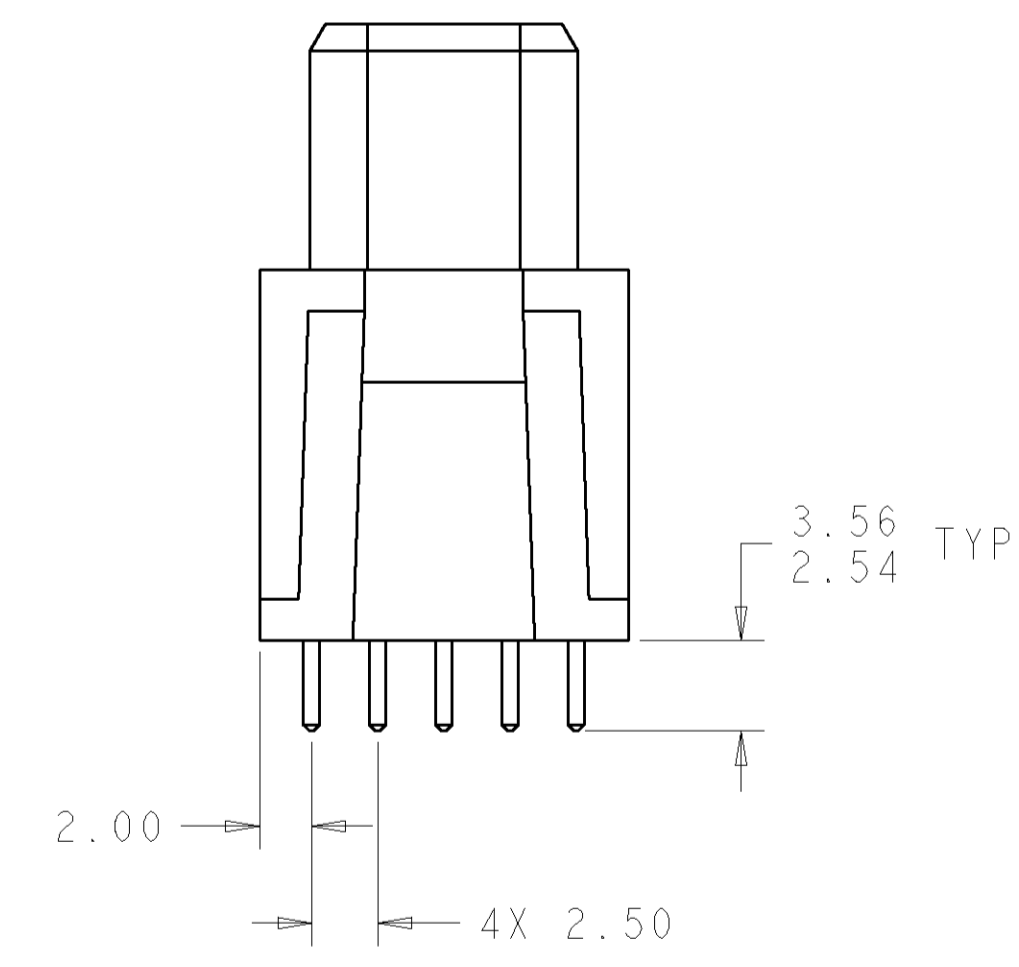
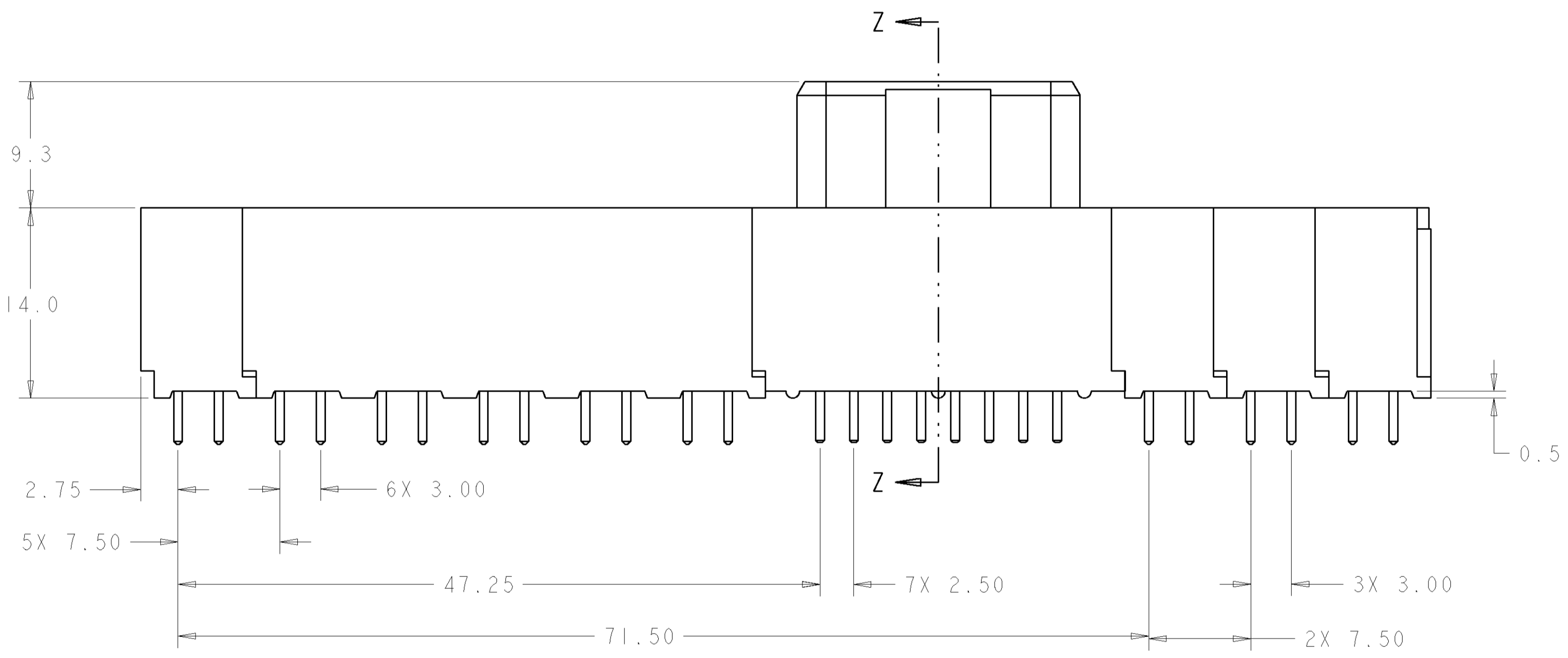
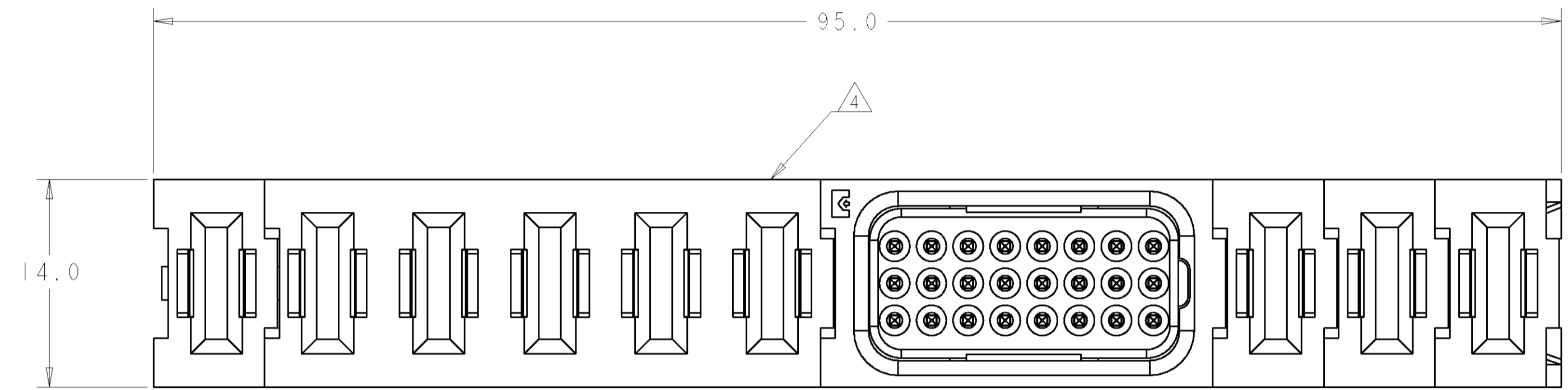
- PART NUMBER CHANGES AND OR DESIGN CHANGES AFFECTING ITEM INTERCHANGEABILITY REQUIRE PRIOR TYCO ELECTRONICS APPROVAL AND AUTHORIZATION BY REVISION TO THIS DRAWING.
- MATERIAL:
 - INSULATORS - THERMOPLASTIC, GLASS REINFORCED, COLOR: BLACK UL94V-0 FLAMMABILITY RATED.
 - POWER CONTACTS - PHOSPHOR BRONZE ALLOY, COPPER ALLOY
 - CROWN BANDS - BERYLLIUM COPPER ALLOY
 - SIGNAL CONTACTS - BRASS ALLOY
- FINISH:
 - CONTACTS - GOLD PLATE 0.76µm MIN. THK. OVER
 - NICKEL 1.27µm MIN. THK.
 - SOLDER TAILS-TIN 3.05µm MIN. THK. ALL OVER
 - NICKEL 1.27µm MIN. THK.

△ ITEMS PROVIDED TO THIS SPECIFICATION TO BE PERMANENTLY IDENTIFIED PER THE FOLLOWING IDENTIFIER LABEL

YEAR WEEK

TYCO ELECTRONICS P/N DATE CODE (e.g. 0106)

XXXXXXXX-X XXXX



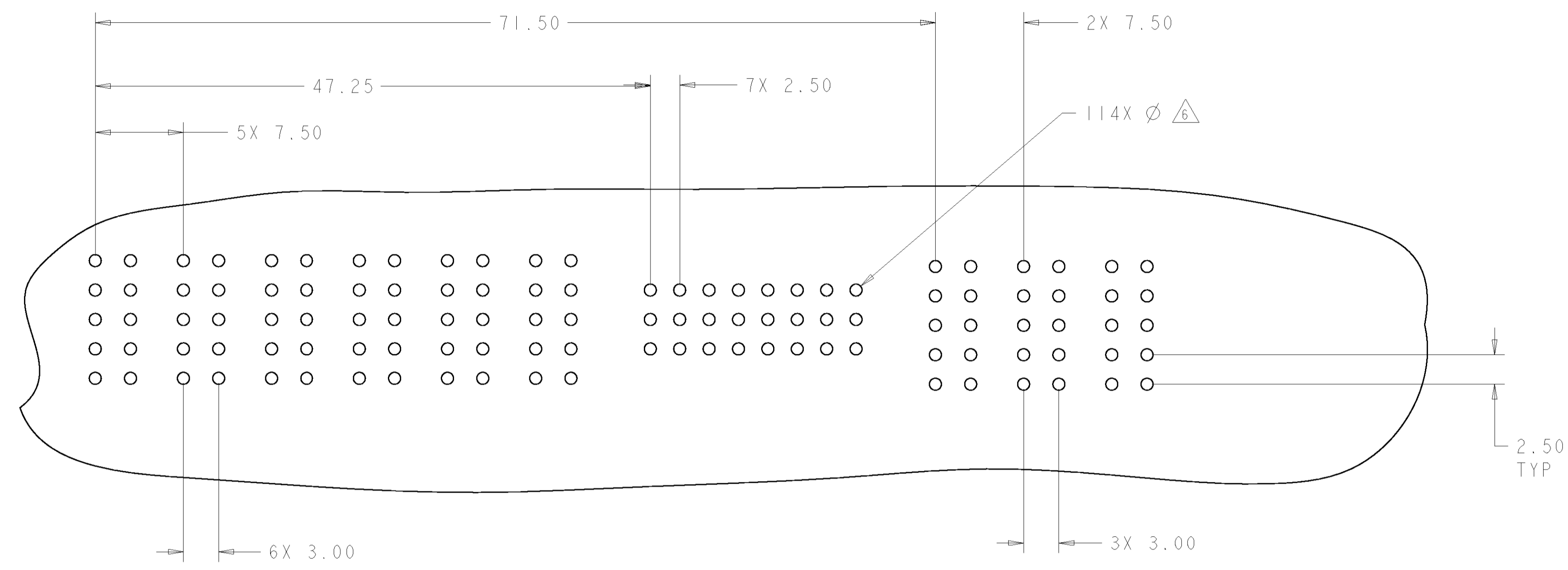
SECTION Z-Z
 GENDER CHANGER REMOVED
 FOR CLARITY

ELCON FLATPAQ

AMP 4895 REV 31MAR2006
 Pro/ENGINEER DRAWING

DIMENSIONS:		TOLERANCES UNLESS OTHERWISE SPECIFIED:		DWN	R. GRZYBOWSKI	03AUG07	AS SHOWN	6646656-1
mm	0 PLC ±.5	1 PLC ±.5	2 PLC ±.5	3 PLC ±.10	4 PLC ±.5	ANGLES ±.5	DESCRIPTION	PART NUMBER
MATERIAL		FINISH		WEIGHT	CUSTOMER DRAWING		Tyco Electronics Harrisburg, PA 17105-3608	
-		-		-	-		SOCKET CONNECTOR, STRAIGHT SOLDER TAILS	
-		-		-		-		RESTRICTED TO
-		-		-		-		SCALE 3:1 SHEET 1 OF 3 REV A

LOC	DIST	REVISIONS					
GP	00	P	LTR	DESCRIPTION	DATE	DWN	APVD
-	-	-	-	SEE SHEET 1	-	-	-

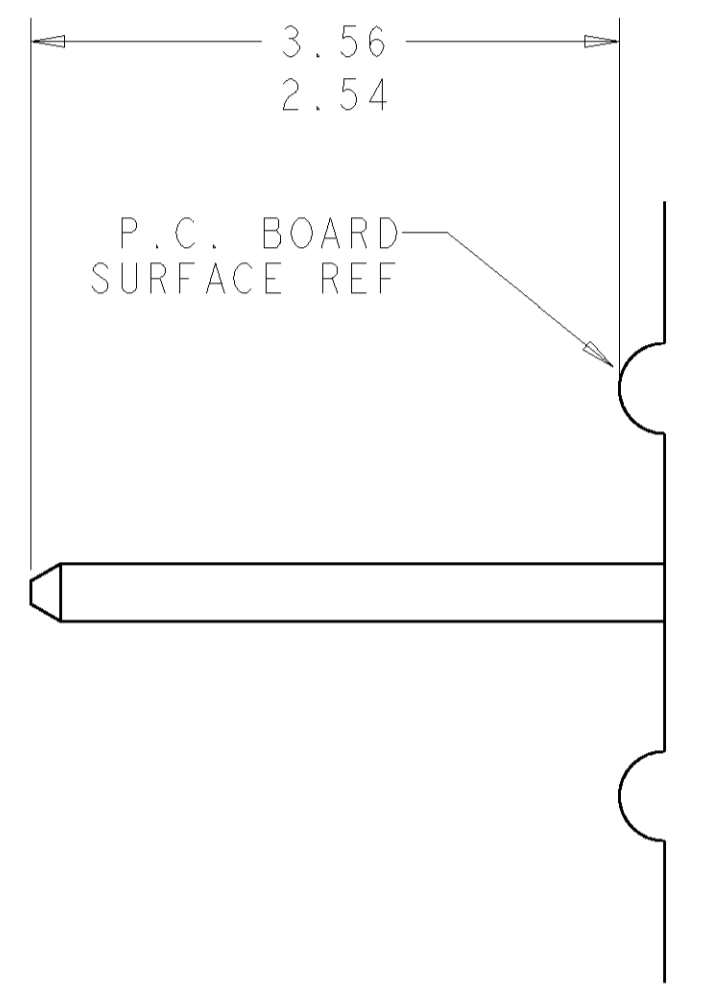


PRINTED CIRCUIT LAYOUT
 COMPONENT SIDE

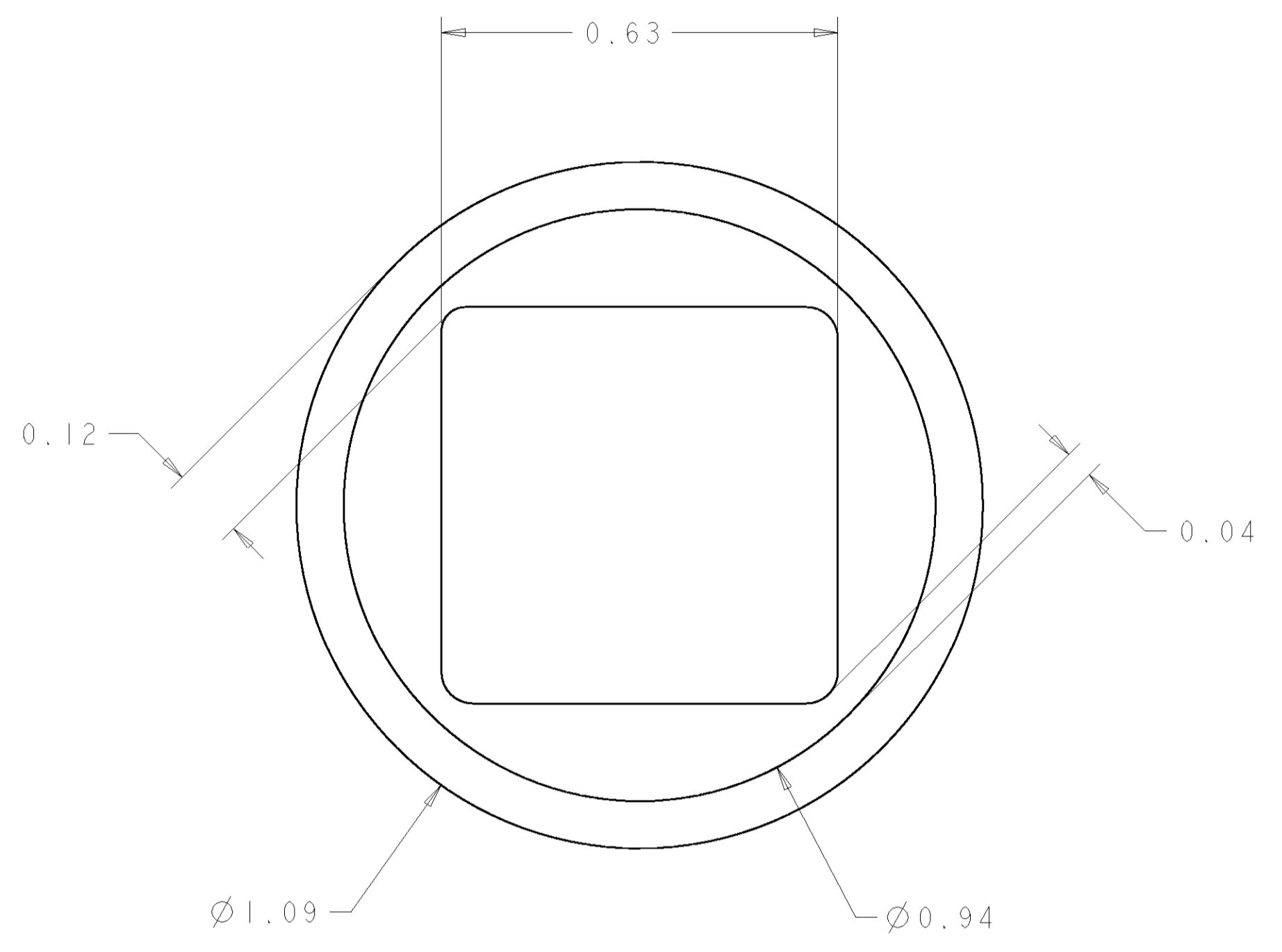
CONNECTOR	EQUIVALENT CATALOG MODULE #	MODULE QTY	CONTACT QTY	SIZE NO.	MATING PIN	MAX. CURRENT (PER CONTACT)	CONTACT SPACING	VOLTAGE RATING
SOCKET	FP100	9	9	8	1.25 X 7.00 [.049 X .276]	35 amps	7.50 [.2953]	250 VOLTS
	FP301	1	24	22	.64 [.025] SQ.	3 amps	2.50 [.0984]	125 VOLTS

<small>THIS DRAWING IS UNPUBLISHED. RELEASED FOR PUBLICATION. ALL RIGHTS RESERVED. BY TICO ELECTRONICS CORPORATION.</small> DIMENSIONS: mm TOLERANCES UNLESS OTHERWISE SPECIFIED: 0 PLC ± 1 PLC ±.5 2 PLC ±.5 3 PLC ±.10 4 PLC ± ANGLES ±.5 MATERIAL - FINISH -		DWN: B. GRZYBOWSKI CHK: P. DAMATO APVD: S. FLICKINGER PRODUCT SPEC - APPLICATION SPEC - WEIGHT - CUSTOMER DRAWING	03AUG07 03AUG07 03AUG07 NAME: SOCKET CONNECTOR, STRAIGHT SOLDER TAILS SIZE: A 00779 C=6646656 SCALE: 3:1 SHEET 2 OF 3 REV A	Tyco Electronics Harrisburg, PA 17105-3608
---	--	---	--	---

LOC	DIST	REVISIONS			
P	LTR	DESCRIPTION	DATE	DWN	APVD
-	-	SEE SHEET 1	-	-	-



5. SOLDER PIN DETAIL
 SCALE 10:1



6. SOLDER TERMINATION AREA
 SCALE 40:1
 RECOMMENDED PRINTED CIRCUIT SOLDER HOLE
 FINISHED HOLE: Ø1.02 [.040] ±.08 [.003]
 DRILLED HOLE: Ø1.15 [.0453] ±.013 [.0005]
 COPPER PLATE: .025 [.0010] MIN
 TIN PLATE: .008 [.0003] MIN. (PER SURFACE)

<small>THIS DRAWING IS UNPUBLISHED. RELEASED FOR PUBLICATION. THIS DRAWING IS THE PROPERTY OF TYCO ELECTRONICS CORPORATION. IT IS TO BE USED ONLY FOR THE PURPOSES AND CONDITIONS SPECIFIED IN THE ORDER. IT IS TO BE RETURNED TO TYCO ELECTRONICS CORPORATION UPON REQUEST.</small>		DWN B. GRZYBOWSKI CHK P. DAMATO APVD S. FLICKINGER	03AUG07 03AUG07 03AUG07	Tyco Electronics Harrisburg, PA 17105-3608
DIMENSIONS: mm 	TOLERANCES UNLESS OTHERWISE SPECIFIED: 0 PLC ±. 1 PLC ±.5 2 PLC ±.5 3 PLC ±.10 4 PLC ±. ANGLES ±.5 FINISH	NAME SOCKET CONNECTOR, STRAIGHT SOLDER TAILS	SIZE A100779C=6646656	RESTRICTED TO -
MATERIAL		WEIGHT	CUSTOMER DRAWING	SCALE 3:1 SHEET 3 OF 3 REV A