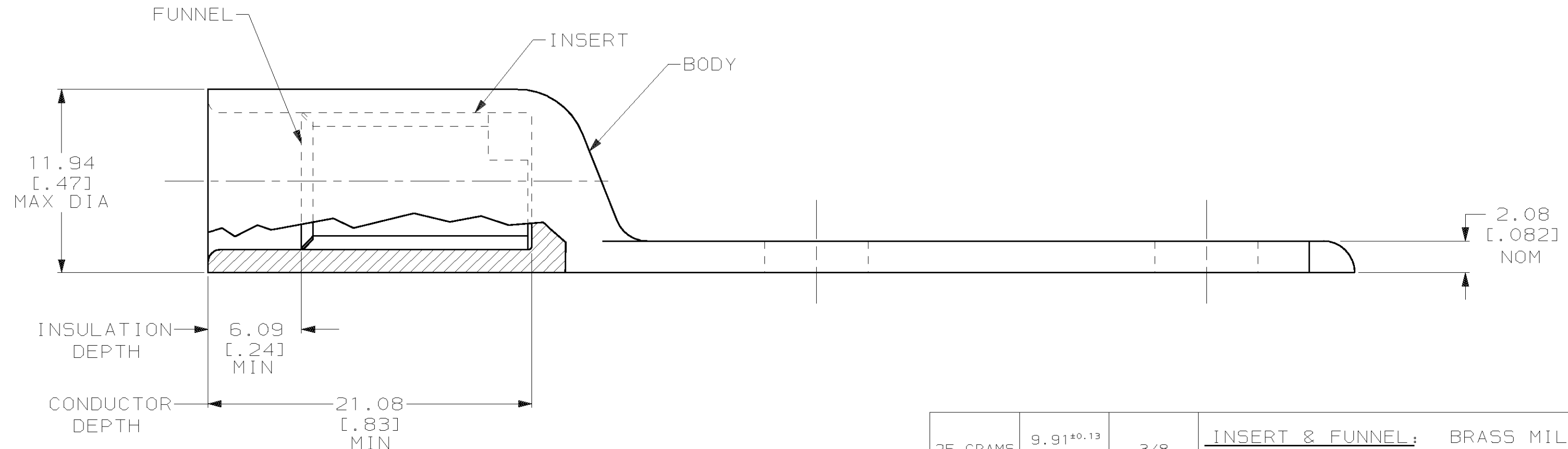
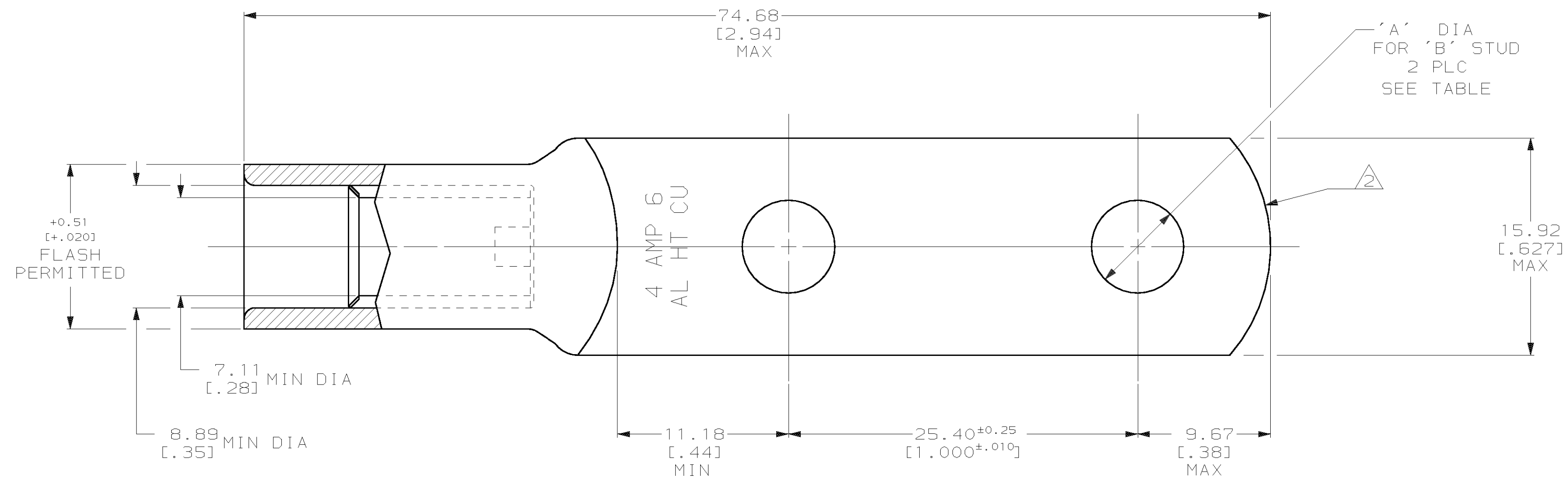


LOC		DIST		P		F		ZONE		LTR		REVISIONS		DATE	APPD
G		86								C		REV PER 0G3A-0659-00		09NOV00	MS



1 WIRE INSULATION: 7.01 [.276] - 7.75 [.305] DIA

△ THE TONGUE RADIUS FEATURE IS NOT A TOOLING CONTROLLED DIMENSION AND MAY NOT BE A TRUE RADIUS.

25 GRAMS	9.91 ^{+0.13} [.390 ^{+0.005}]	3/8	INSERT & FUNNEL: BRASS MIL-C-50 NICKEL PL QQ-N-290 0.00762 [.000300] AVG THK	55834-2
26 GRAMS	6.73 ^{+0.08} [.265 ^{+0.003}]	1/4		BODY: COPPER ASTM-B187 ANNEALED SILVER PL QQ-S-365 0.00508 [.000200] MIN THK
WEIGHT	'A'	'B'	MATERIAL & FINISH	PART NO
DO NOT SCALE PRINT. UNLESS SPECIFIED DIMENSIONS IN mm [INCHES] TOLERANCES ON:			DR 6/15/92 DK SCHRUM CHK 6/16/92 WJ VOCKROTH APPD 6/16/92 AJ KAUFMAN APPD 6/16/92 CR RHODS PRODUCT SPEC 108-11011 TENTATIVE APPLICATION SPEC 114-2134 WEIGHT SEE TABLE	
SEE TABLE			AMP AMP Incorporated Harrisburg, PA 17105-3608 NAME WIRE TERMINAL, COPALUM™, SEALED, RING TONGUE, HIGH TEMP, WIRE SIZE: 21.75mm ² [4] ALUMINUM 13.65mm ² [6] COPPER	
SEE TABLE			SIZE C	CAGE CODE 00779
			DRAWING NO C=55834	SHEET 1 OF 1
			SCALE 4:1	

THIS DRAWING IS A CONTROLLED DOCUMENT FOR AMP INCORPORATED. IT IS SUBJECT TO CHANGE AND THE CONTROLLING ENGINEERING ORGANIZATION SHOULD BE CONTACTED FOR THE LATEST REVISION.