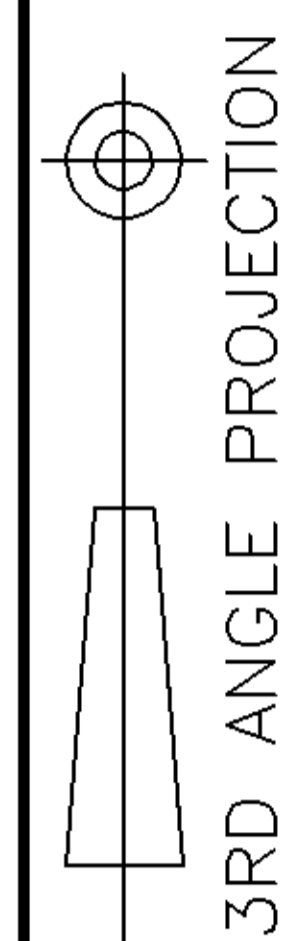


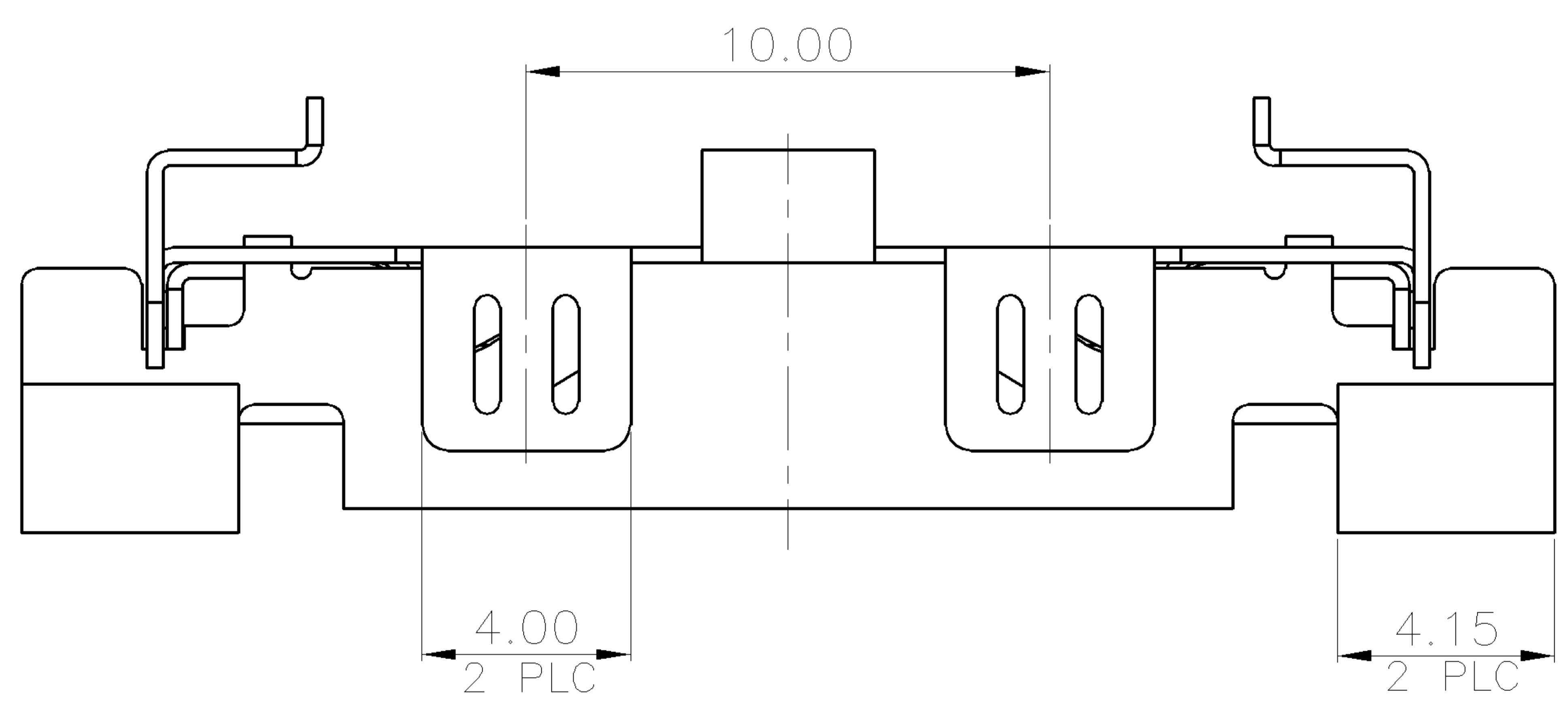
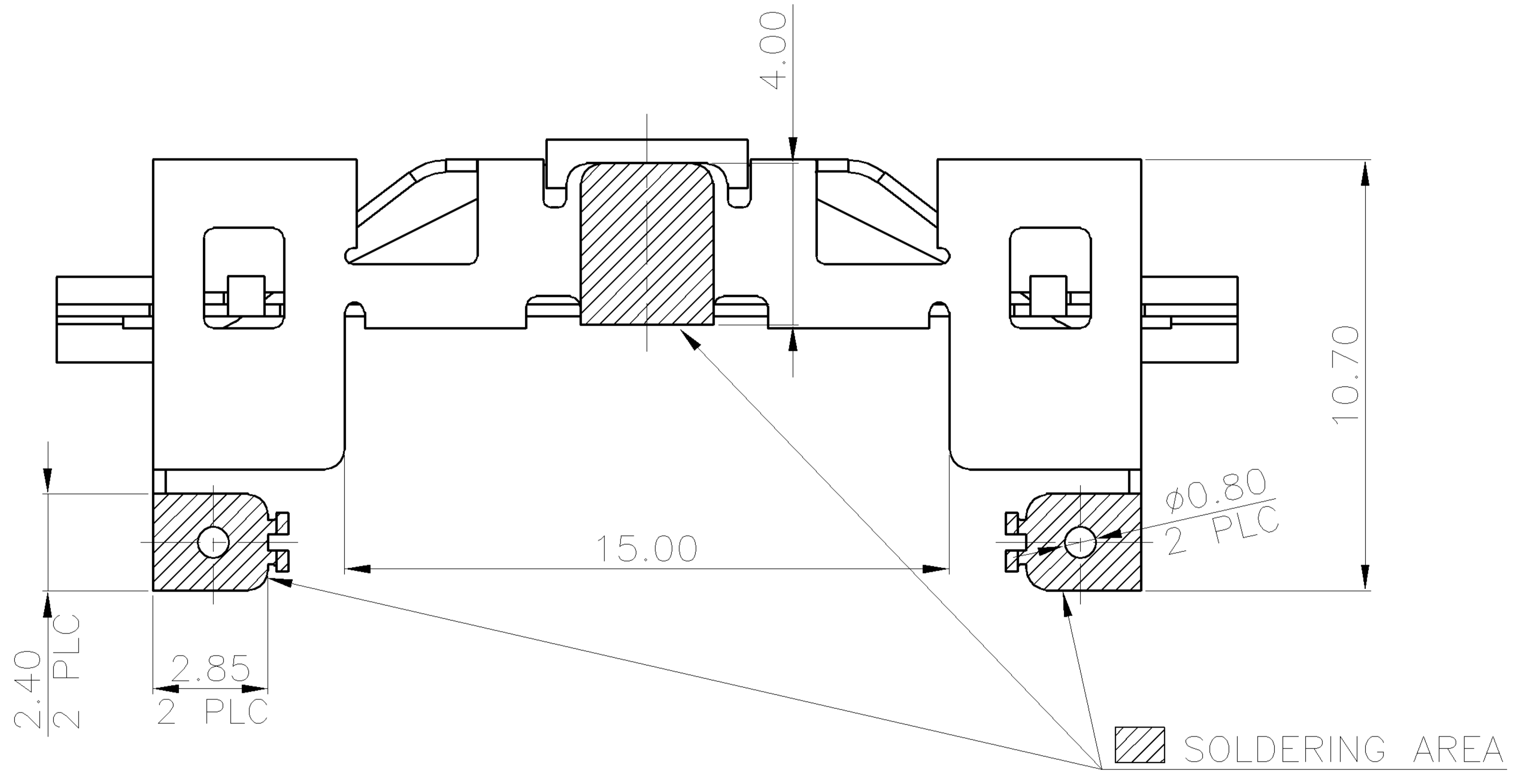
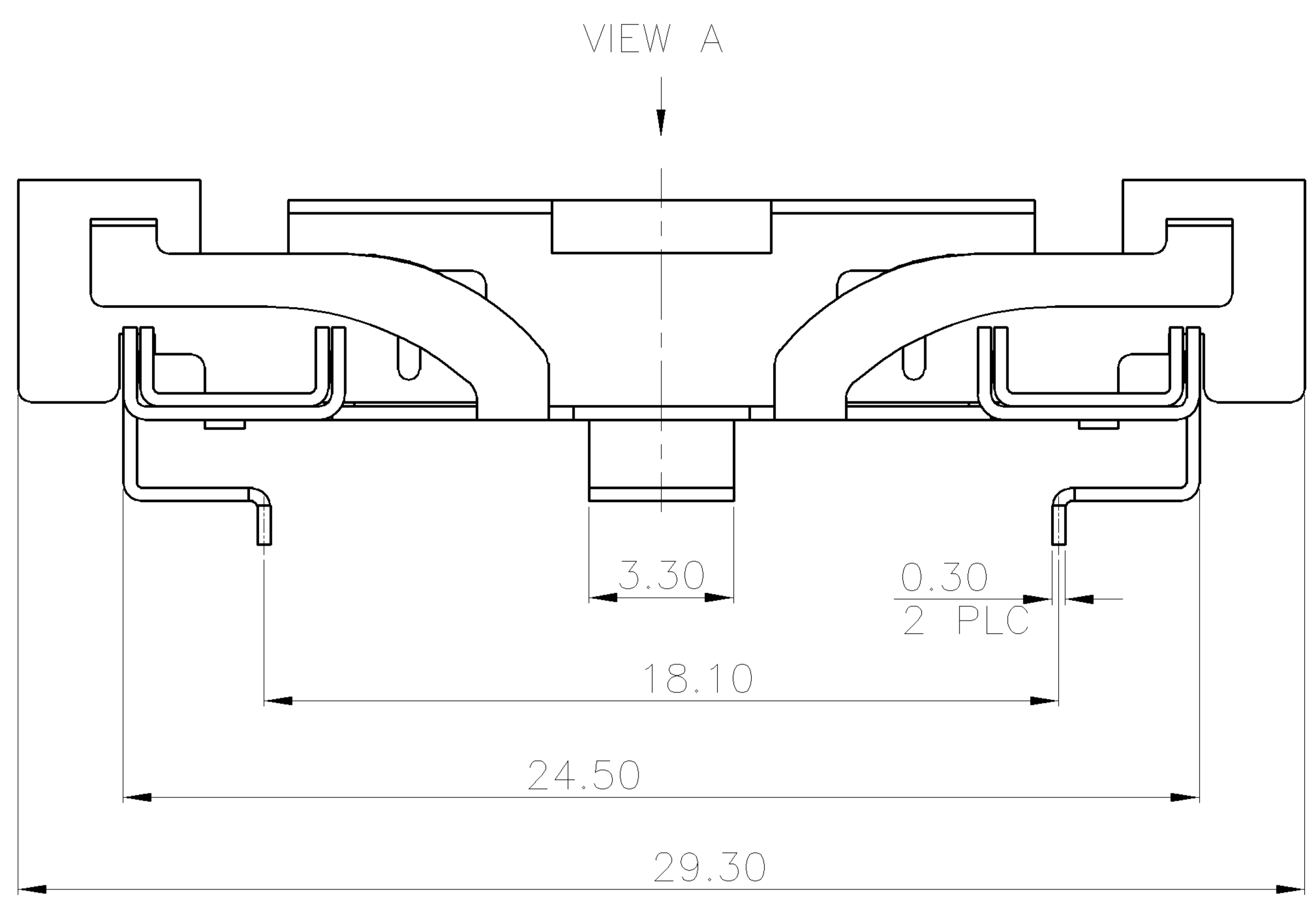
NUMBER  
C-1775129



METRIC

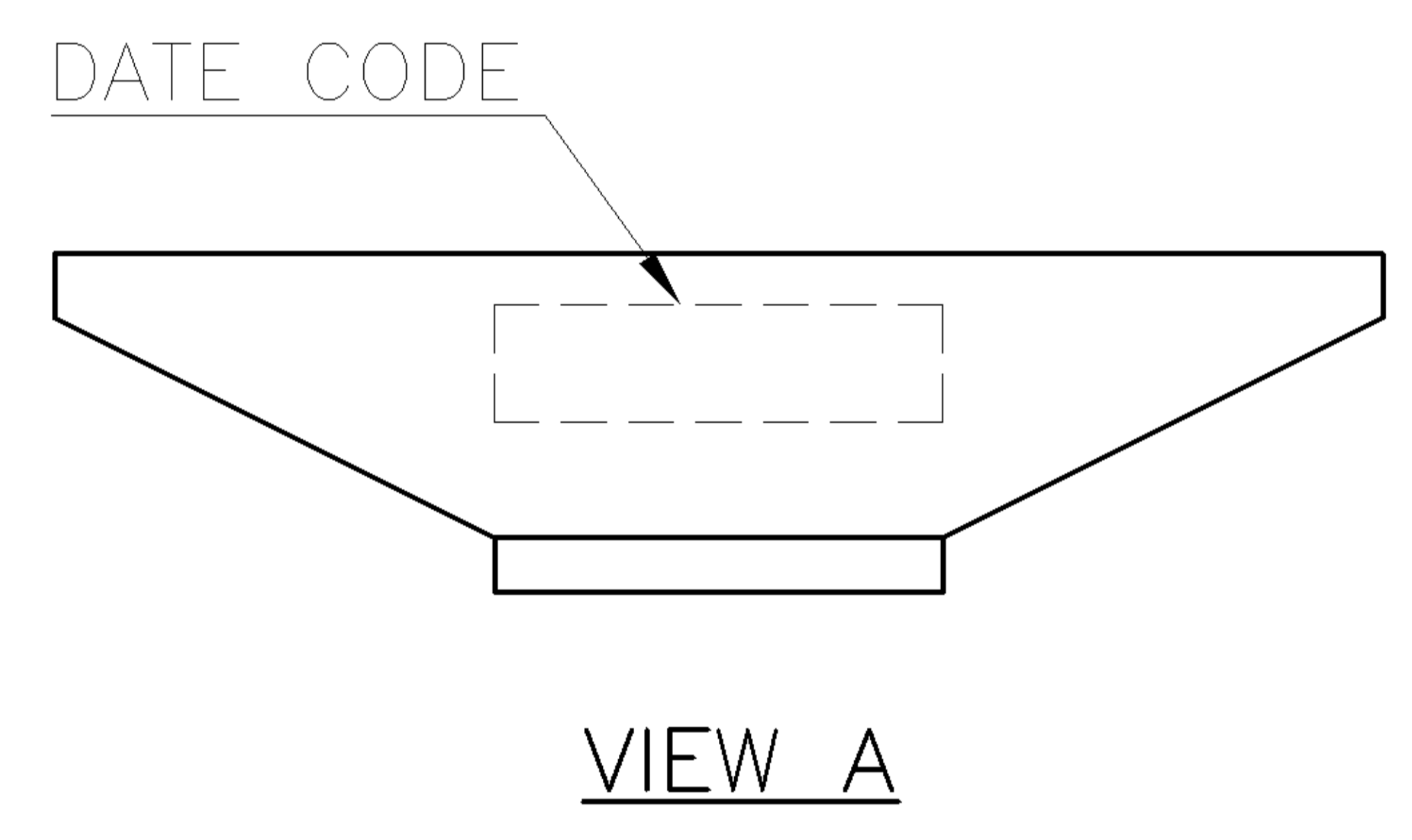
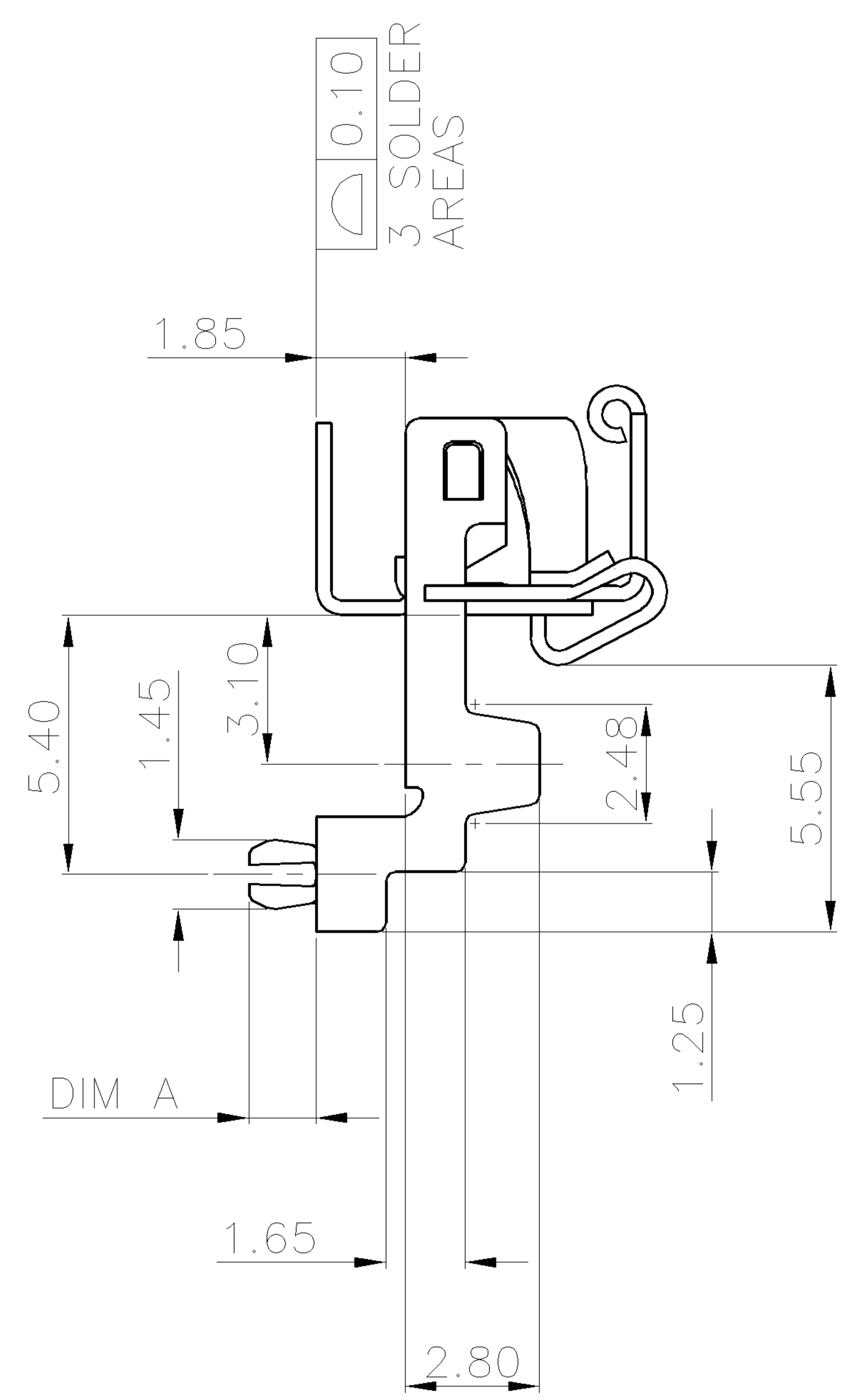
THIS INFORMATION IS CONFIDENTIAL AND IS DISCLOSED TO YOU ON CONDITION THAT NO FURTHER DISCLOSURE IS MADE BY YOU TO OTHER THAN AMP PERSONNEL WITHOUT WRITTEN AUTHORIZATION FROM AMP (TAIWAN) LTD. DIMENSIONS IN MILLIMETERS. DO NOT SCALE PRINT.

PRINT  
DW



NOTES:

1. MATERIAL: STAINLESS STEEL.
2. FINISH: GOLD FLASH PLATING ON SOLDERING AREA, 1.27μm [50μ"] MIN. NICKEL UNDERPLATED ALL OVER.
3. CONNECTOR PART NUMBERS: (SEE DRAWING# 1775128)
4. FOR MINI PCI EXPRESS 6.7 HEIGHT.
5. REFLOW SOLDER CAPABLE TO 260°C AS PER TYCO SPEC. 109-201, CONDITION B.



1.00	1775129-2
1.40	1775129-1
DIM A	PART NUMBER

TOLERANCES UNLESS OTHERWISE SPECIFIED:		DWN		A. WU	
0 PLC	±-	17-JUL-2006		TYCO HOLDINGS (BERMUDA)	
1 PLC	±0.25	CHK		S. HOU	
2 PLC	±0.2	17-JUL-2006		VII LTD. TAIWAN BRANCH	
3 PLC	±0.15	APVD		W.J. KE	
ANGLES	±3'	17-JUL-2006		NAME	
MATERIAL		SEE NOTE		LATCH ASSEMBLY, MINI PCI EXPRESS, 52 POS.	
FINISH		SEE NOTE		LOC	
QUALIFICATION TEST REPORT		-		SIZE	
WEIGHT		1.1 GRAMS		DRAWING NO	
SCALE		-		C-1775129	
SHEET		1 OF 3		REV	
-		-		A	

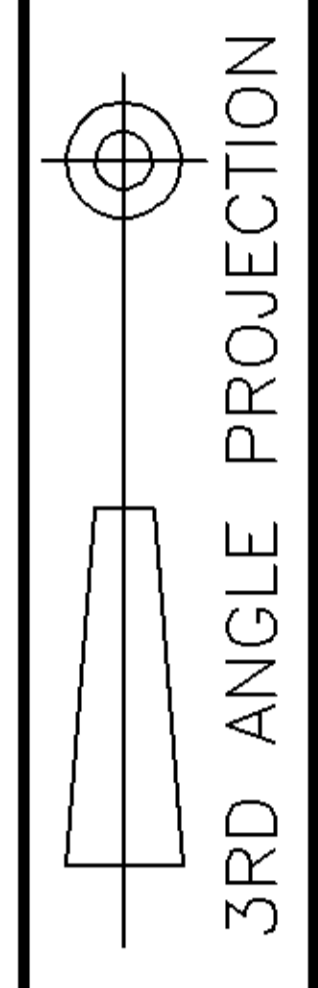
A	REVISED	ECR-06-017125	AW SH	14JUL 2006
O	FIRST RELEASED	--	AW SH	03AUG 2005
LTR	REVISION RECORD	ECN	DWN CHK	DATE

OBsolete NOT the LATEST REVISION

THIS INFORMATION IS CONFIDENTIAL AND IS DISCLOSED TO YOU ON CONDITION THAT NO FURTHER DISCLOSURE IS MADE BY YOU TO OTHER THAN AMP PERSONNEL WITHOUT WRITTEN AUTHORIZATION FROM AMP (TAIWAN) LTD. DIMENSIONS IN MILLIMETERS. DO NOT SCALE PRINT.

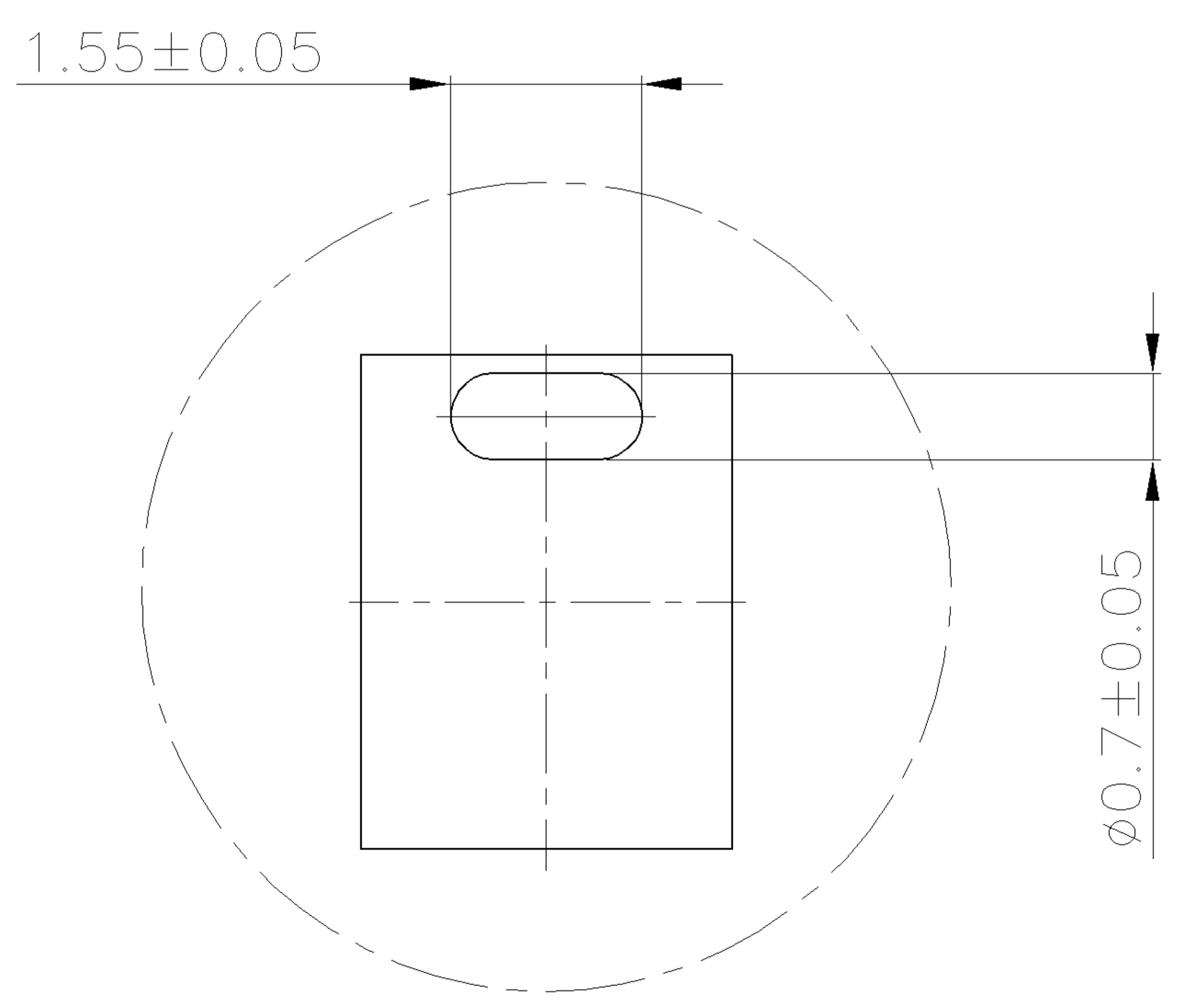
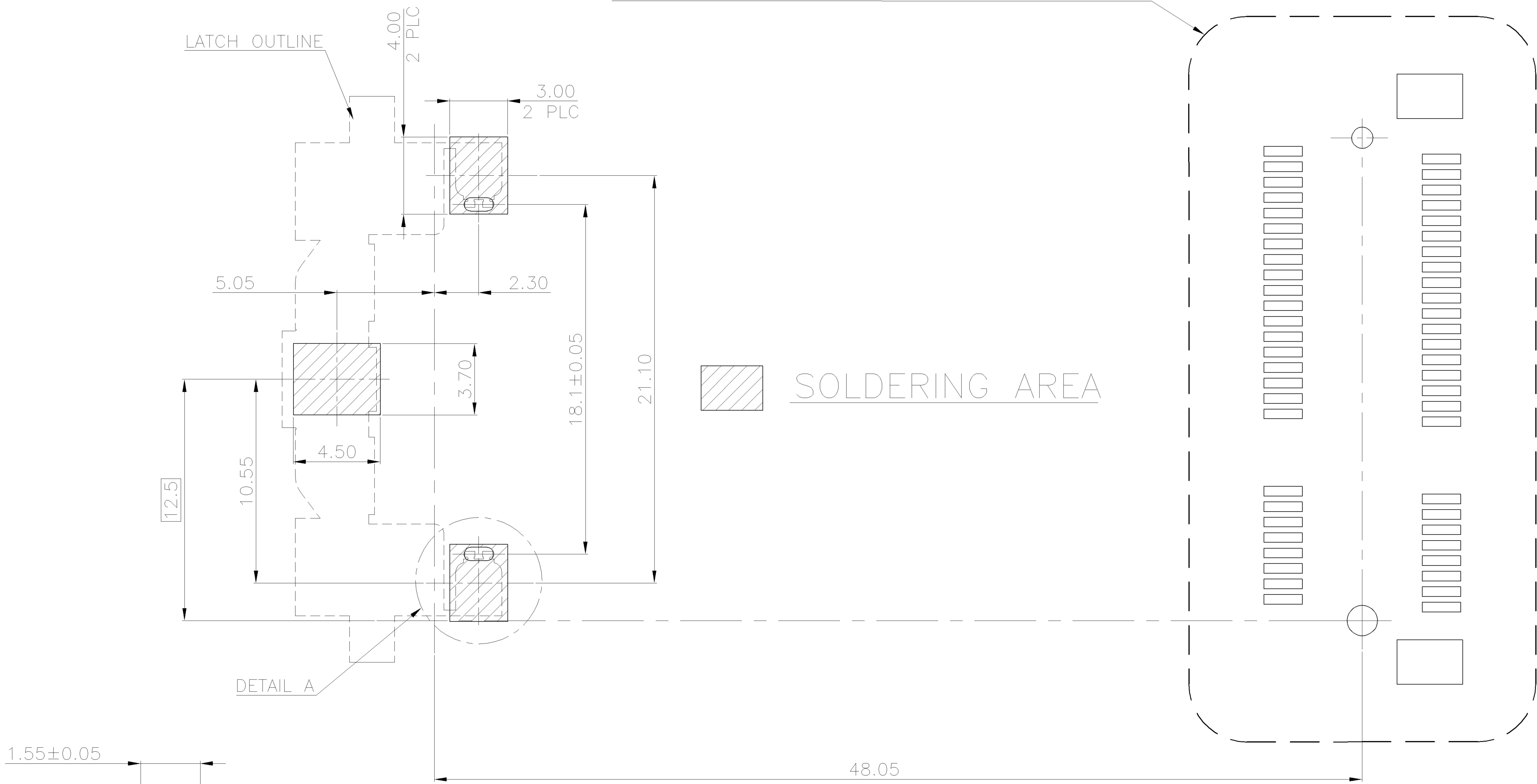
PRINT DIST  
DW

METRIC



NUMBER  
C-1775129

SEE DRAWING# 1775128 FOR DIMENSIONS



**RECOMMENDED LATCH PCB LAYOUT**  
TOLERANCE: ±0.05, THICKNESS: 1.0mm

TOLERANCES UNLESS OTHERWISE SPECIFIED: 0 PLC ±- 1 PLC ±- 2 PLC ±- 3 PLC ±- ANGLES ±-	DWN A. WU 17-JUL-2006	TYCO HOLDINGS (BERMUDA) VII LTD. TAIWAN BRANCH								
	CHK S. HOU 17-JUL-2006									
MATERIAL -	APVD W.J. KE 17-JUL-2006	<b>LATCH ASSEMBLY, MINI PCI EXPRESS, 52 POS.</b>								
FINISH -	PRODUCT SPEC -									
	APPLICATION SPEC -	<table border="1"> <tr> <td>LOC</td> <td>SIZE</td> <td>DRAWING NO</td> <td>REV</td> </tr> <tr> <td>DW</td> <td>A<sub>3</sub></td> <td>C-1775129</td> <td>A</td> </tr> </table>	LOC	SIZE	DRAWING NO	REV	DW	A <sub>3</sub>	C-1775129	A
LOC	SIZE	DRAWING NO	REV							
DW	A <sub>3</sub>	C-1775129	A							
	WEIGHT -	<table border="1"> <tr> <td>SCALE</td> <td>SHEET</td> </tr> <tr> <td>--</td> <td>2 OF 3</td> </tr> </table>	SCALE	SHEET	--	2 OF 3				
SCALE	SHEET									
--	2 OF 3									

SEE SHEET 1	ECN	DWN	CHK	DATE
LTR	REVISION RECORD			

8 7 6 5 4 3 2 1  
CUSTOMER DRAWING

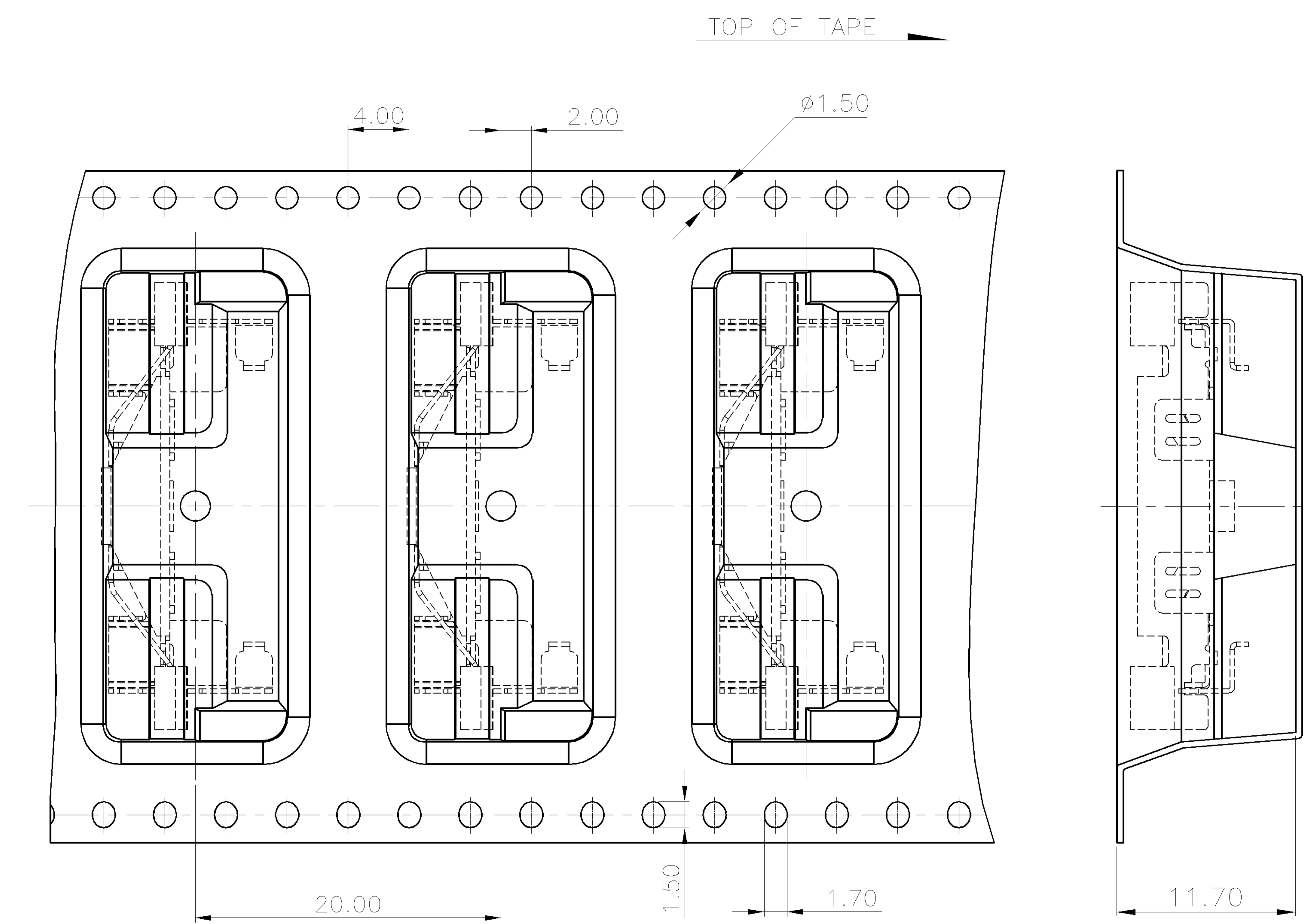
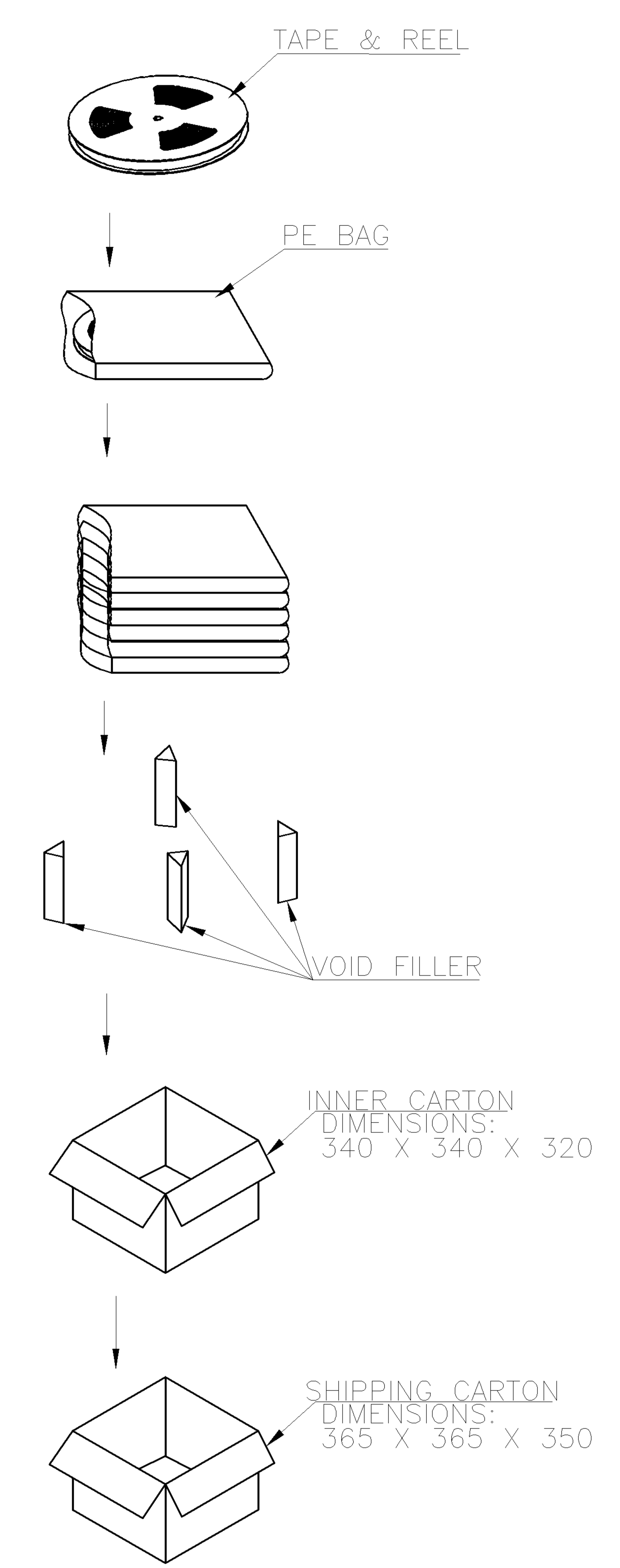
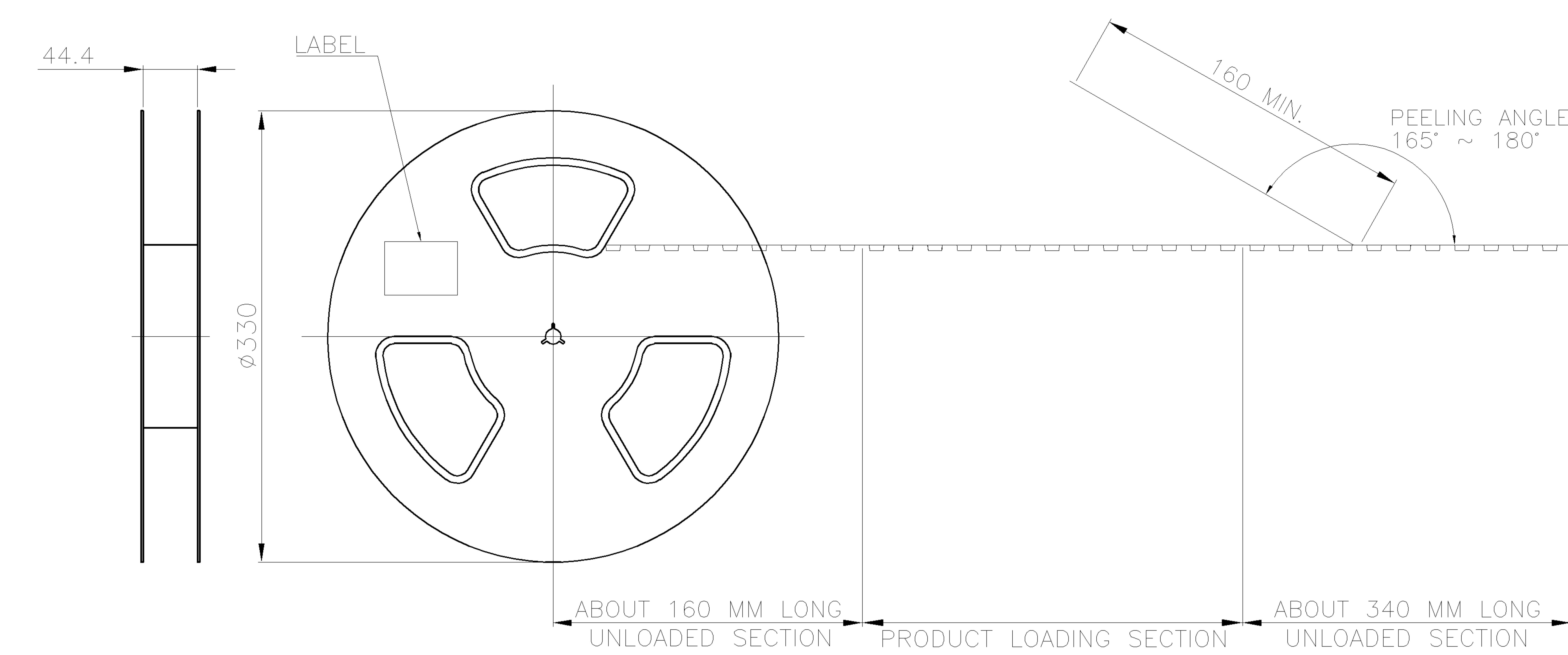
THIS INFORMATION IS CONFIDENTIAL AND IS DISCLOSED TO YOU ON CONDITION THAT NO FURTHER DISCLOSURE IS MADE BY YOU TO OTHER THAN AMP PERSONNEL WITHOUT WRITTEN AUTHORIZATION FROM AMP (TAIWAN) LTD. DIMENSIONS IN MILLIMETERS. DO NOT SCALE PRINT.

NUMBER  
C-1775129

3RD ANGLE PROJECTION

METRIC

PRINT  
DW



250	6	1500	6.33	1.98
PCS/REEL	REELS/CARTON	QUANTITY	G/W (KG)	N/W (KG)

TOLERANCES UNLESS OTHERWISE SPECIFIED: 0 PLC ±- 1 PLC ±- 2 PLC ±- 3 PLC ±- ANGLES ±-	DWN	A. WU 17-JUL-2006	<b>tyco</b> TYCO HOLDINGS (BERMUDA) <b>Electronics</b> VII LTD. TAIWAN BRANCH			
	CHK	S. HOU 17-JUL-2006				
MATERIAL	APVD	W.J. KE 17-JUL-2006	<b>LATCH ASSEMBLY, MINI PCI EXPRESS, 52 POS.</b>			
SEE NOTE	PRODUCT SPEC	-				
FINISH	APPLICATION SPEC	-	LOC	SIZE	DRAWING NO	REV
SEE NOTE	WEIGHT	-	DW	A <sub>3</sub>	C-1775129	A
			SCALE	SHEET		
			--		3 OF 3	

SEE SHEET 1	ECN	DWN	CHK	DATE
LTR	REVISION RECORD			