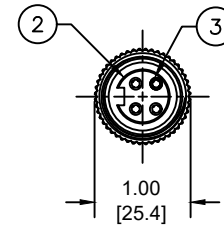
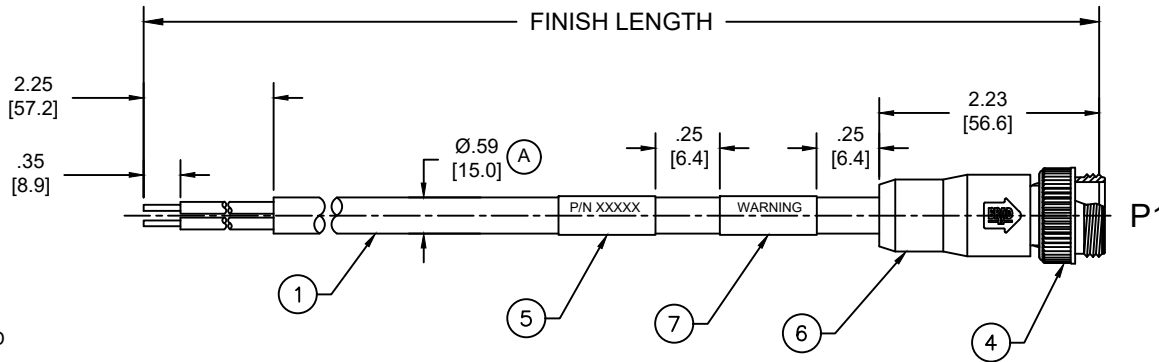
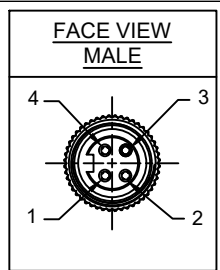
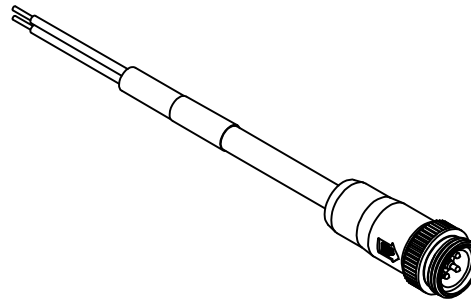


MATERIAL NUMBER	ENGINEERING NUMBER	FINISHED LENGTH
1300610143	104006A46M005	0.5M [1FT 8 IN]
1300610159	104006A46M100	10M [32FT 10 IN]
1300610163	104006A46M250	25M [82FT]

(A) PART NUMBER LEGEND

104006A45M005

LENGTH:
M005= 0.5 METER
M010= 1 METER
M100= 10 METER



FACE VIEW - MALE

NOTES:

- MATERIAL: AS NOTED
- FINISH: AS NOTED
- ELECTRICAL:
 - VOLTAGE: 483V PER IEC60664 (A)
 - 600V PER UL2237
 - CURRENT: 15A
- TEMP RATING: -20°TO +105°C (A)
- PROTECTION: IP67 (WHEN MATED)
- COUPLING THREAD: 7/8"-16UN
- UL LISTED FILE: E258922
- ALL DIMENSIONS ARE FOR REFERENCE UNLESS TOLERANCED OR NOTED OTHERWISE

P1

BLACK	1
WHITE	2
RED	3
GREEN/YELLOW	4

WIRING DIAGRAM

(A)

CABLE LENGTH TOLERANCES	
<.3M [1FT]:	+19mm-0 [+ .75in-0]
.3 - .9M [1 - 3FT]:	+44.5mm-0 [+1.75in-0]
.9 - 1.8M [3 - 6FT]:	+55.6mm-0 [+2.19in-0]
1.8 - 3.7M [6 - 12FT]:	+88.9mm-0 [+3.50in-0]
3.7 - 7.3M [12 - 24FT]:	+165.1mm-0 [+6.50in-0]
7.3-14.6M [24 - 48FT]:	+317.5mm-0 [+12.50in-0]
14.6 - 30.5M [48-100FT]:	+622.3mm-0 [+24.50in-0]
OVER 30M [100FT]	+2% OF FINISHED LENGTH

ITEM	DESCRIPTION	MATERIAL	FINISH
7	WARNING LABEL	VINYL	BLACK
6	OVERMOLD	TPE	GRAY
5	WRAP LABEL	VINYL	YELLOW
4	COUPLING NUT	ZINC ALLOY	BLACK E-COAT
3	PIN CONTACT	BRASS	GOLD OVER NICKEL
2	INSERT	TPE	BLACK
1	#14/4 CABLE	PVC JACKET	GRAY

FUNCTIONAL SYMBOLS $F_A=0$ $F_C=0$ $F_P=0$	DIMENSION UNITS: INCH/MM SCALE: NTS		CURRENT REV DESC: ITEM 2 & 6 WERE PVC. ADDED IEC VOLTAGE, PN MATRIX, CABLE DIA & TOL CHART. MODIFIED TEMP RATING AND PN TABLE.		<p>BRAD POWER CORDSET, A-SIZE 4-POLE, MALE, STRAIGHT, SINGLE KEY, #14 AWG</p>
	GENERAL TOLERANCES (UNLESS SPECIFIED)		EC NO: 698916 DRWN: ABENJAMINLW 2021/06/17 CHK'D: RSTONE 2022/03/09 APPR: BWOODMAN 2022/03/11		
	DIVISIONAL SYMBOLS		INITIAL REVISION: DRWN: VOU 2010/01/14 APPR: JFMURPHY 2010/01/20		
	DRAFT WHERE APPLICABLE MUST REMAIN WITHIN DIMENSIONS		THIRD ANGLE PROJECTION		
DOCUMENT STATUS: P1 RELEASE DATE: 2022/03/11 14:29:47		MATERIAL NUMBER: 130061 CUSTOMER: GENERAL MARKET		PRODUCT CUSTOMER DRAWING DOCUMENT NUMBER: SD-130061-016 DOC TYPE: PSD DOC PART: 001 REVISION: A	
SHEET NUMBER: 1 OF 1		SERIES: A-SIZE		SHEET NUMBER: 1 OF 1	