

MATERIALS & SPECIFICATIONS

PART NO.	A29650-125	REV	ECO	DATE	APP
		D	104339	03-22-18	TLM

HOUSING:
ALUMINUM 6061, NICKEL PLATE
PER (500 MICROINCHES
MINIMUM) SAE-AMS-2404.

INSULATOR:
LIQUID CRYSTAL POLYMER (LCP)
PER ASTM D5138

CONTACT:
COPPER ALLOY PER MIL-DTL-
32139, GOLD PLATED PER ASTM
B488, (HARD GOLD) TYPE II
CODE C CLASS 1.27

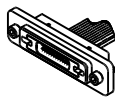
WIRE:
NEMA HP3 TYPE ET, COLOR .060
CODED IAW MIL-STD-681, [1.52]
SYSTEM 1, USING TEN SOLID
REPEATING COLORS

HARDWARE:
SCREW: 18-8 STAINLESS STEEL .060 [1.52]
RETAINING PIN: 17-7 STAINLESS
STEEL, PASSIVATE PER ASTM
A967

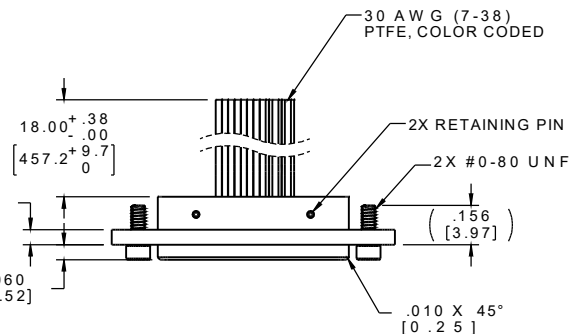
CURRENT RATING:
1 AMP MAX PER MIL-DTL-32139

CONTACT RESISTANCE:
71 MILLIOHM MAX (71mV DROP
MAX) @ 1.0 AMPS PER MIL-
DTL-32139

PERFORMANCE:
PRODUCT FAMILY TESTED TO AND
PASSED THE PERFORMANCE
SPECIFICATIONS OF TABLE VIII OF
MIL-DTL-32139.

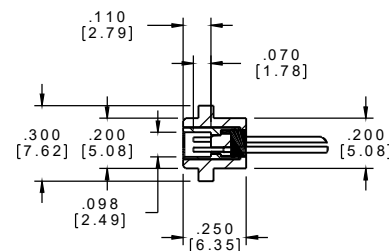
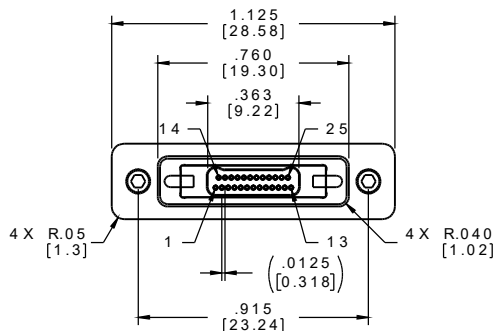


ACTUAL SIZE
EXCLUDING WIRE LENGTH



SOCKET #	COLOR
1, 11, 21	BLACK
2, 12, 22	BROWN
3, 13, 23	RED
4, 14, 24	ORANGE
5, 15, 25	YELLOW
6, 16	GREEN
7, 17	BLUE
8, 18	VIOLET
9, 19	GRAY
10, 20	WHITE

INTERNAL USE ONLY
USE MFG LOADING
PROCEDURE A29000-025



NOTE:

DIMENSIONS IN [] ARE IN
MILLIMETERS UNLESS
OTHERWISE NOTED AND ARE
FOR REFERENCE ONLY

MINI SHEET	THIRD ANGLE	THIS DRAWING CONTAINS CONFIDENTIAL AND PROPRIETARY INFORMATION WHICH IS THE PROPERTY OF OMNETICS CONNECTOR CORP. THIS DOCUMENT MAY NOT IN WHOLE OR IN PART BE DUPLICATED, OR DISCLOSED FOR ANY PURPOSE, WITHOUT WRITTEN PERMISSION FROM OMNETICS CONNECTOR CORP.	
	-TOLERANCES-	DFTM. JPF	DATE 4/8/2008
	DIMENSIONS IN INCHES	CHK'D.	DATE
	2 P L D E C ± .01 3 P L D E C ± .005 4 P L D E C ± .0005 A N G L E S ± *	APP'D.	DATE

OMNETICS
CONNECTOR CORPORATION
7260 COMMERCE CIRCLE EAST
MINNEAPOLIS, MN 55432
WWW.OMNETICS.COM

CAGE CODE 61873	REV
DWG NO. A29650-125	D
SHEET 1 OF 1	SCALE: 2:1