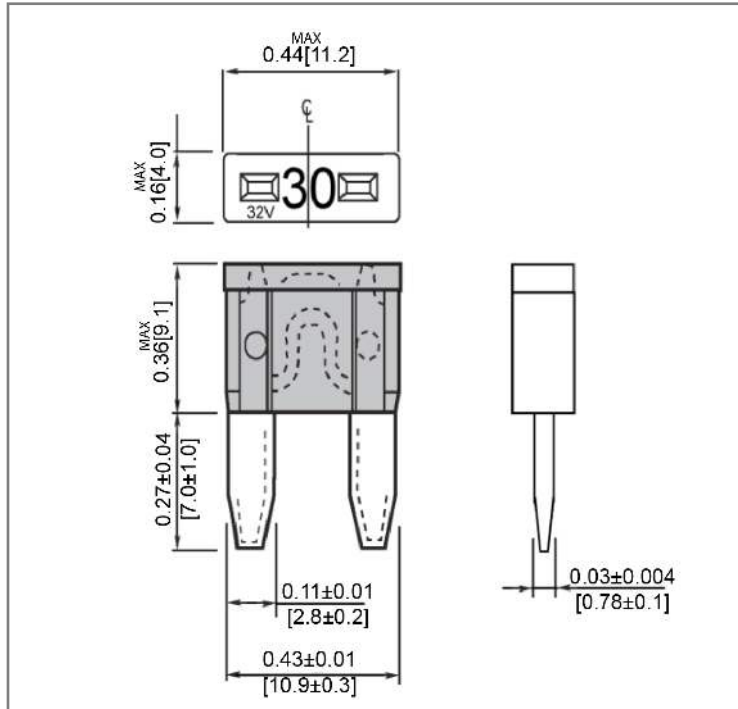
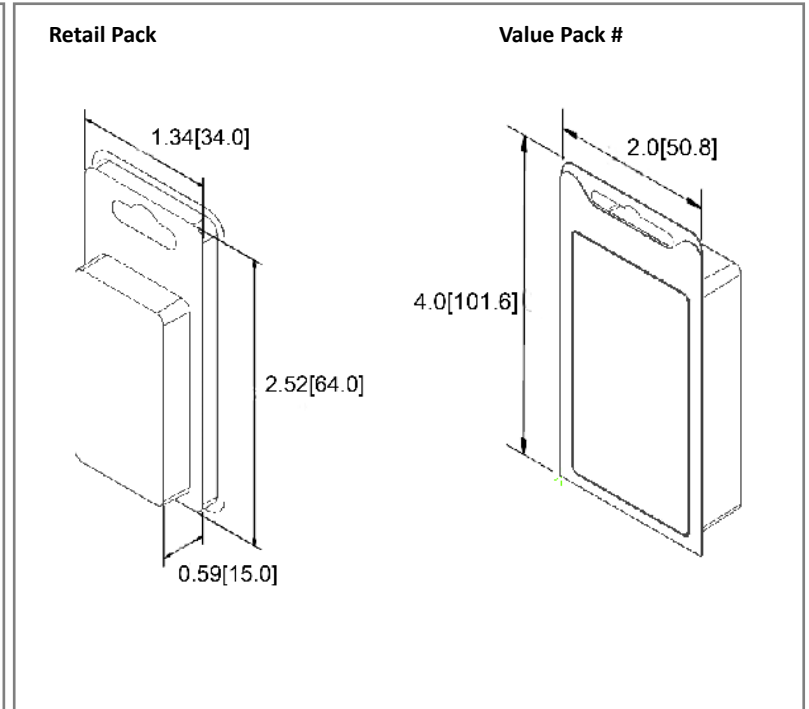


## Mechanical Dimensions: Inches [mm]



## Retail Pack: Inches [mm]



## Part Numbers Information

Amperage	Body Color	Bulk Part #	Retail Pack # Blister Card	Pack Size	Value Pack # Clamshell	Pack Size
2A	Gray	ANM-2A	ANM-2A-BP	5	ANM-2A-VP	25
3A	Violet	ANM-3A	ANM-3A-BP	5	ANM-3A-VP	25
4A	Pink	ANM-4A	ANM-4A-BP	5	ANM-4A-VP	25
5A	Tan	ANM-5A	ANM-5A-BP	5	ANM-5A-VP	25
7.5A	Brown	ANM-7.5A	ANM-7.5A-BP	5	ANM-7.5A-VP	25
10A	Red	ANM-10A	ANM-10A-BP	5	ANM-10A-VP	25
15A	Blue	ANM-15A	ANM-15A-BP	5	ANM-15A-VP	25
20A	Yellow	ANM-20A	ANM-20A-BP	5	ANM-20A-VP	25
25A	Clear	ANM-25A	ANM-25A-BP	5	ANM-25A-VP	25
30A	Green	ANM-30A	ANM-30A-BP	5	ANM-30A-VP	25

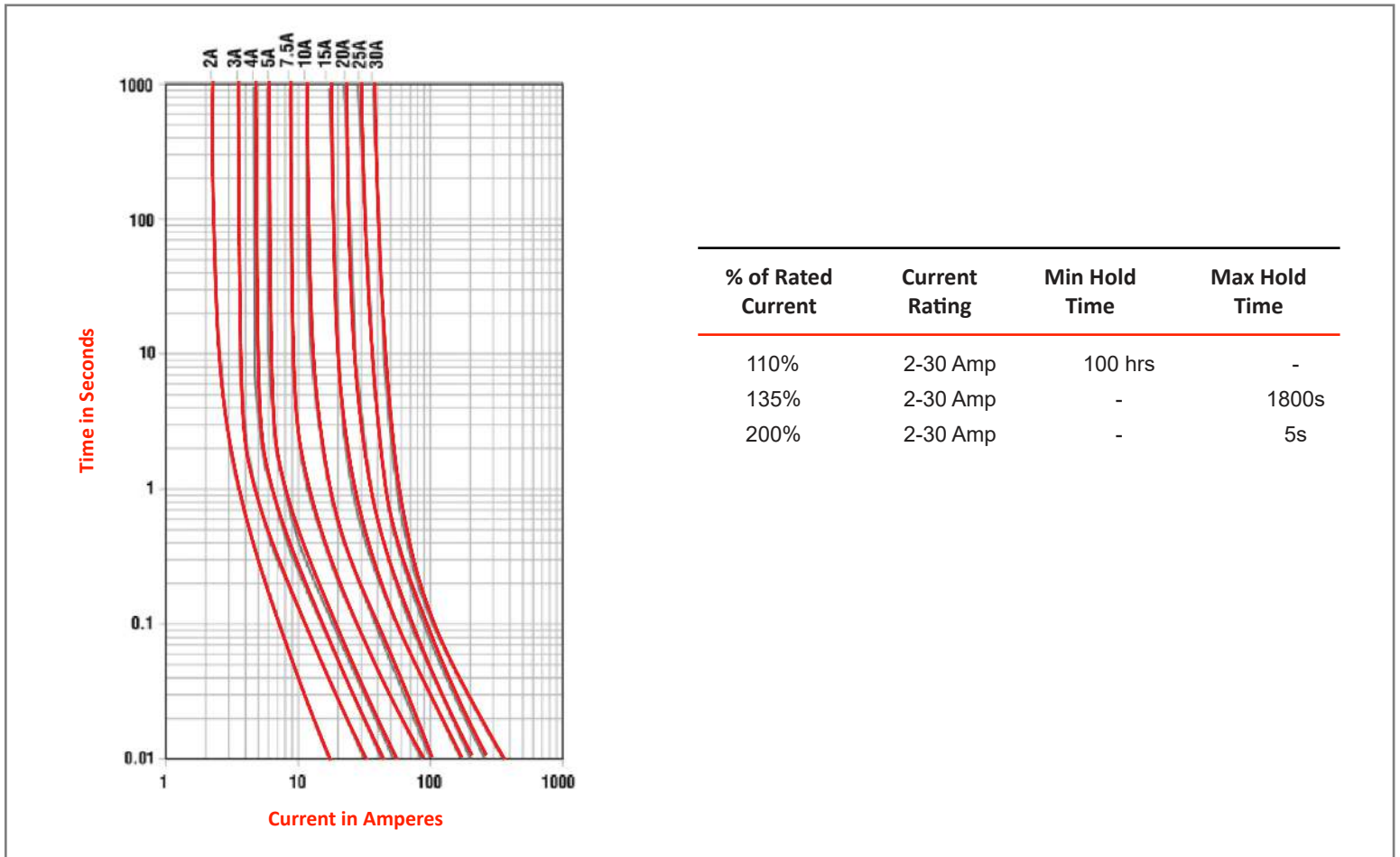
## Electrical Specifications

<b>Voltage Rating</b>	32V DC
<b>Interrupting Rating</b>	1000A @ 32 VDC
<b>Testing</b>	SAE, ISO 8820

## Material Specifications

<b>Body</b>	PA 66
<b>Terminals</b>	Zinc Alloy

## Time vs. Percent of Rated Current Curve



**Rev**      **Date of issue**      **Revision Notes**

**Designed**      **Approved**

A	05-30-2023	Initial Drawing	RC	OF
---	------------	-----------------	----	----