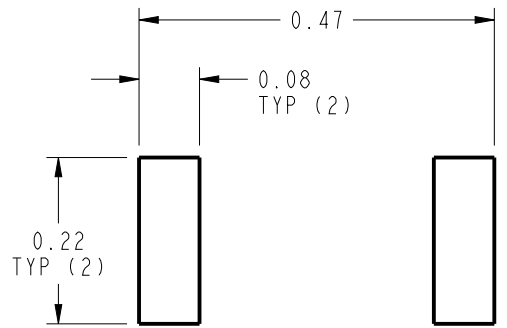


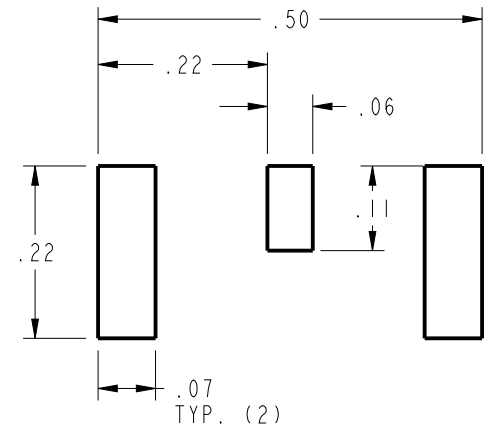
NOTES:

1. MATERIALS AND FINISHES:
 BODY - BRASS, MATTE TIN PLATING
 CONTACT - PHOSPHOR BRONZE, MATTE TIN PLATING
 INSULATOR - PTFE
2. ELECTRICAL:
 A. IMPEDANCE: 75 OHM
 B. FREQUENCY RANGE: DC - 3 GHz
 C. VSWR(RETURN LOSS): DC - 1 GHz (30 dB), MIN
3. MECHANICAL:
 A. TEMPERATURE RANGE: -40° C TO +60° C
4. PACKAGING:
 A. QUANTITY: BULK PACK 50 CONNECTORS PER BAG
 B. MARKING: BAG TO BE MARKED
 "AMPHENOL, 531-40039, AND DATE CODE"

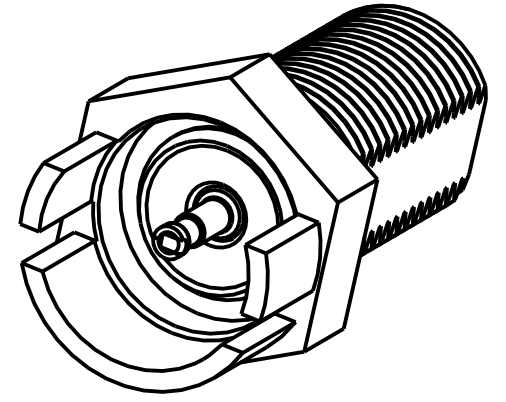
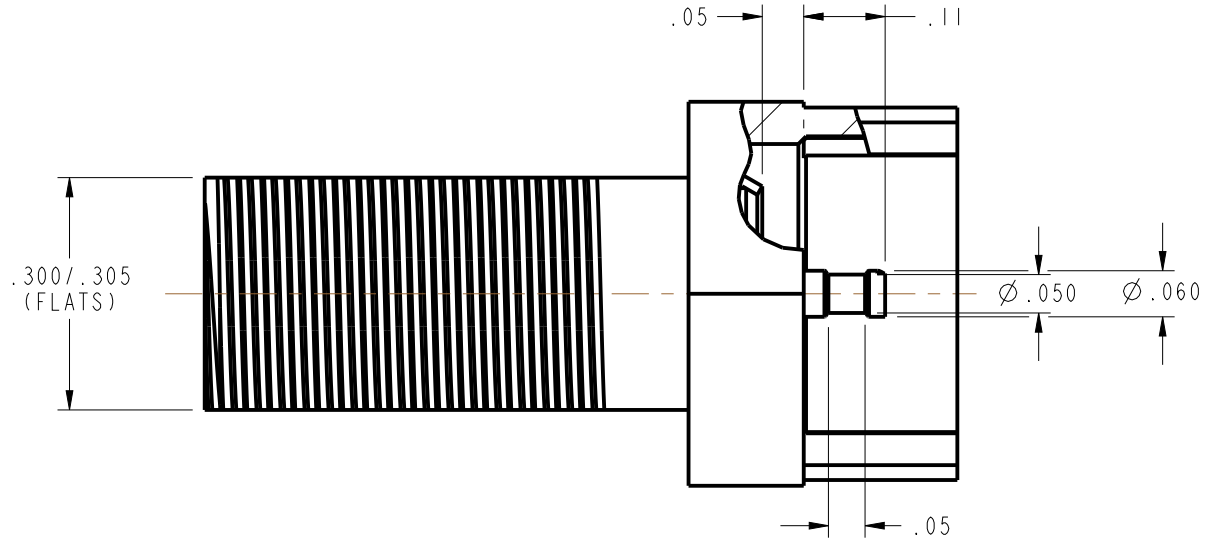
531-40039		REVISIONS			
DRAWING NO.	REV	DESCRIPTION	DATE	ECO	APPR
THIRD ANGLE PROJ.	A	RELEASE TO MFG.	03/11/96	41198	BH
	B	SEE SHEET 1	5/30/02	44066	BCG
	C	ADD THREAD CALL-OUT; ADD .07 DIM, ADD NOTES, PAD LAYOUT	3/30/09	47516	CPM
	D	ADDED RECOMMENDED PAD LAYOUT FOR BOTTOM SIDE OF PCB	7/1/14	50068	JYL



RECOMMENDED PAD LAYOUT FOR BOTTOM SIDE OF PCB

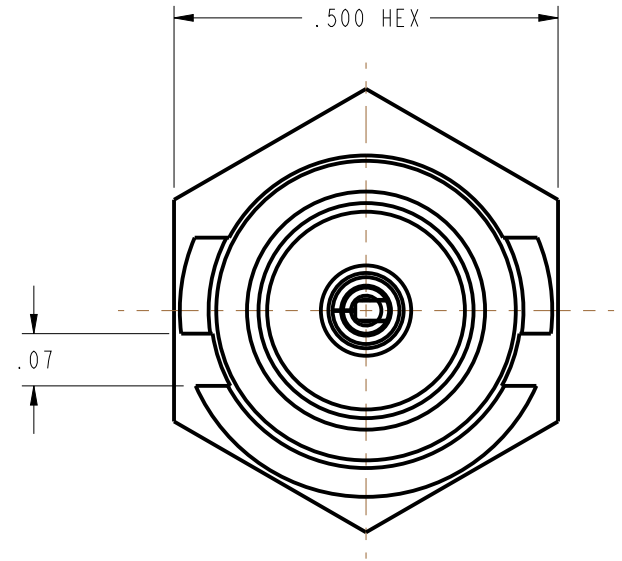
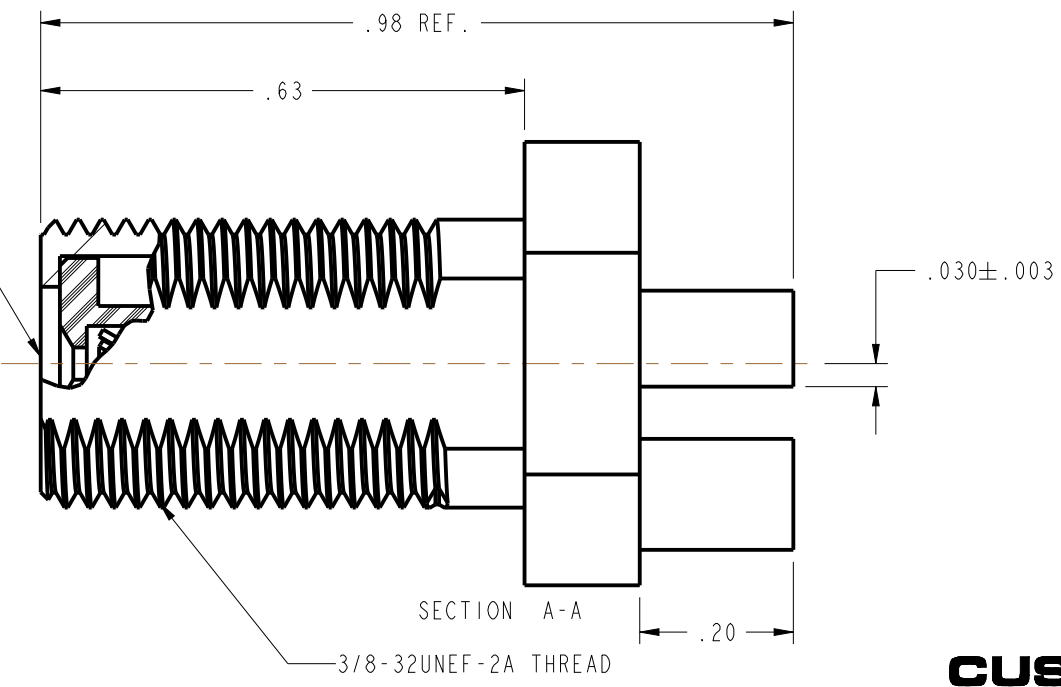


RECOMMENDED PAD LAYOUT SCALE 4.000



SCALE 3:1

PROPRIETARY FEMALE CONTACT ACCEPTS CENTER CONDUCTOR RANGE $\varnothing .022 - \varnothing .042$



CUSTOMER OUTLINE DRAWING
 ALL OTHER SHEETS ARE FOR INTERNAL USE ONLY

UNLESS OTHERWISE SPECIFIED, DIMENSIONS ARE IN INCHES AND TOLERANCES ARE: 2 PLACE DECIMAL ±.015 (0,381 mm) 3 PLACE DECIMAL ±.005 (0,127 mm) ANGLES ± 1°	MATERIAL	DRAWN B. HAMMOND	DATE 18-Oct-95	TITLE F RECEPTACLE, PCB EDGE MOUNT, OUTLINE DRAWING	Amphenol RF Danbury, CT, USA Tainan, Taiwan Shenzhen, China www.amphenolrf.com
	REFERENCE	ENGINEER B. HAMMOND	DATE 18-Oct-95		
NOTICE - These drawings, specifications, or other data (1) are, and remain the property of Amphenol Corp. (2) must be returned upon request; and (3) are confidential and not to be disclosed to any person other than those to whom they are given by Amphenol Corp. The furnishing of these drawings, specifications, or other data by Amphenol Corp., or to any other person to anyone for any purpose is not to be regarded by implication or otherwise in any manner licensing, granting rights or permitting such holder or any other person to manufacture, use or sell any product, process or design, patented or otherwise, that may in any way be related to or disclosed by said drawings, specifications, or other data.	GEN# 531-40039	APPROVED B. HAMMOND	DATE 11-Mar-96	CODE ID 74868	DWG SIZE B
		DRAWING NO. 531-40039		SHEET 2 OF 2	REV D