
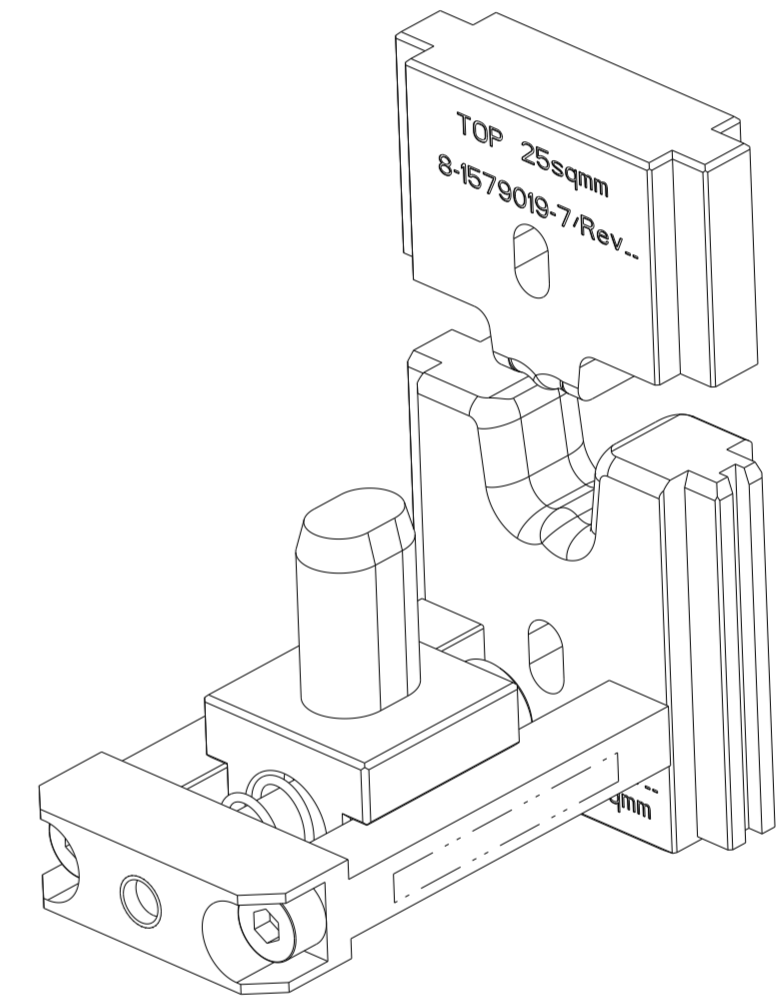
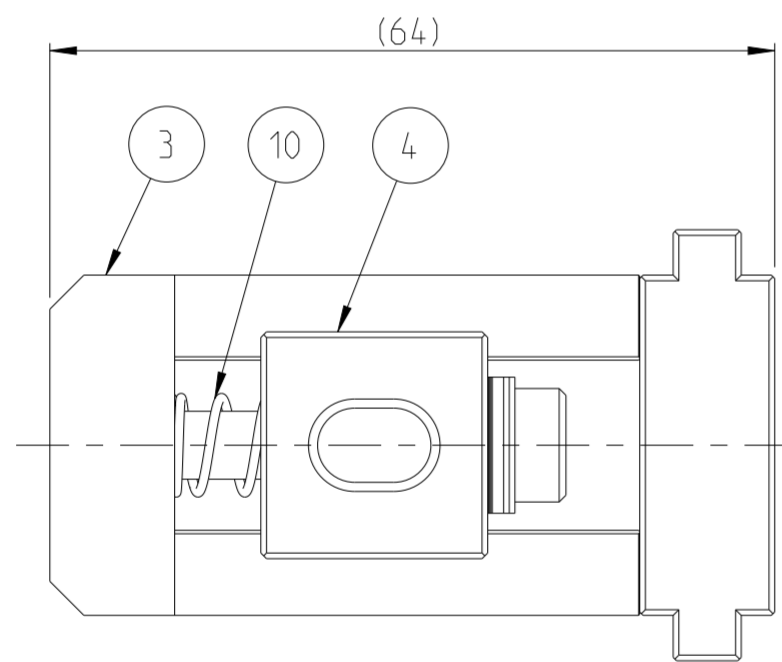
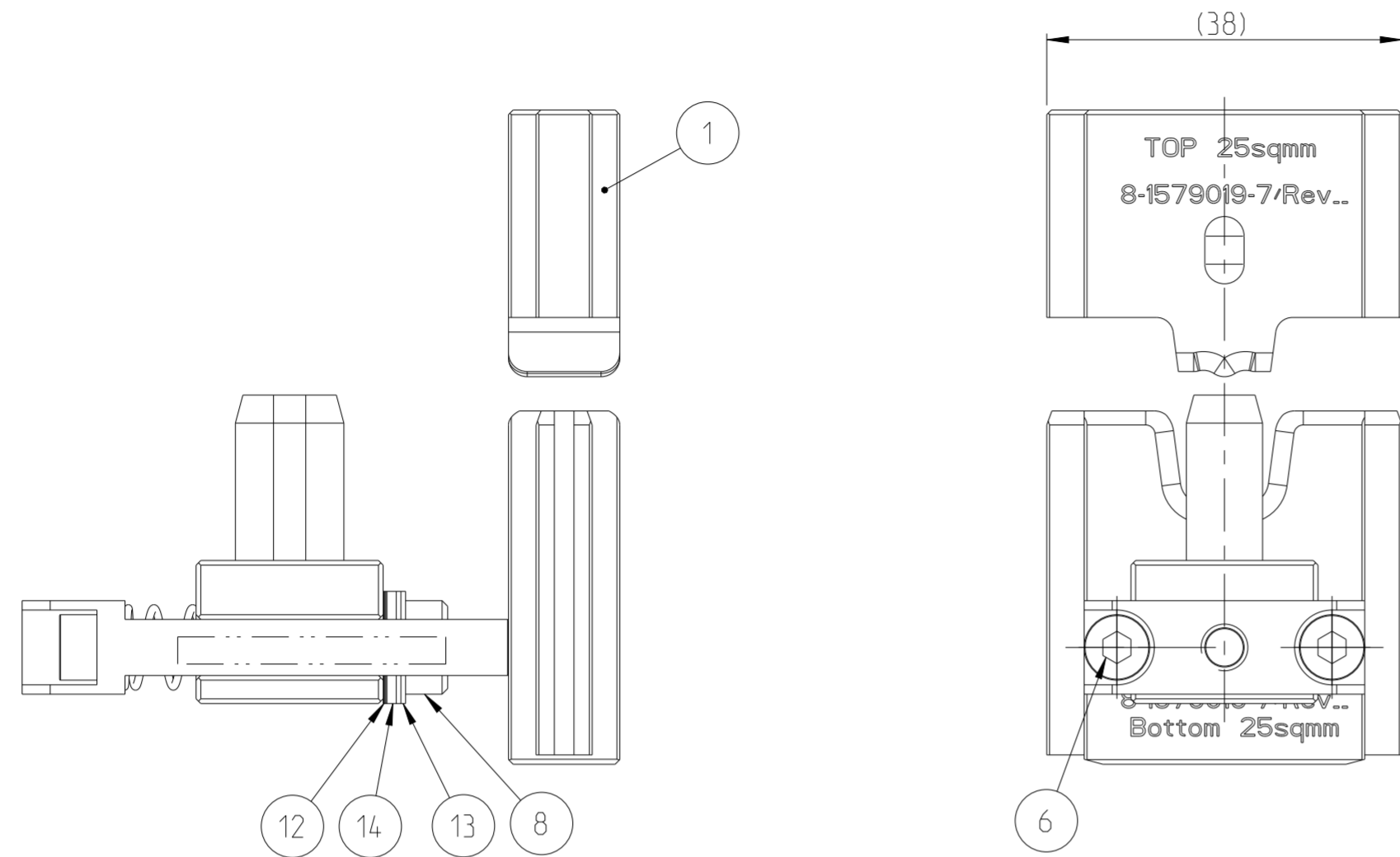



REVISIONS					
P	LTR	DESCRIPTION	DATE	DWN	APVD
E		ECR-17-014151	25SEP2017	BM	GS
F		ECR-21-124097	15DEC2021	LS	MP
F1		ECR-22-129063	09FEB2022	LS	MP
G		ECR-22-131296	03MAR2022	LS	MP


TERMINAL NAME	RING TONGUE, CONTACT
TE TERMINAL PART NUMBER(S)	1-2177380-1 / 1-2177380-2 (INTERCABLE)
APPLICATION SPECIFICATION	114-94133 / VW TAB 016.358.AC
REFERENCE DRAWING	-
USED ON	528008-4 (HV CRIMPING MACHINE) - OBSOLETE WITH 541868-2 (ADAPTER) 
INSTRUCTION SHEET	-

CABLE SUPPLIER/SPECIFICATION	CABLE SIZE	CRIMP HEIGHT	CRIMP HEIGHT REFERENCE SETTING
COROPLAST - FHLR2GCB2G/A10	25mm2	4.35 ±0.1	-



1	519115-4	A	WASHER, SHIM RING, 1.0 THICK	14
2	519037-4	A	WASHER, SHIM RING, 0.5 THICK	13
4	519035-4	O	WASHER, SHIM RING, 0.1 THICK	12
1	2-22282-0	D	SPRING, COMPRESSION	10
1	519152-6	A	FITTING SCREW	8
2	1-519072-4	O	SCREW, CAP, SOCKET HD, METRIC	6
1	6-519709-3	E	LOCATOR IPT-VW	4
1	519579-7	C	BAY IPT-VW	3
1	8-1579019-7	A	DIE SET IPT-VW WIRE, 25SQ.MM	1
QTY	PART NO	REV	DESCRIPTION	ITEM NO

 ALTERNATIVE COMPONENTS FOR USING HV20, TCPN 2348822:
 1x 2326383-1 (BASE PLATE ASSEMBLY)
 1x 2234755-1 (ADAPTOR ASSY, FOR 528041, HV-20T)
 1x 541868-1 (HV- CM DIE-SET ADAPTER)

THIS DRAWING IS A CONTROLLED DOCUMENT.		DWN R. Germann 06 JUN 2012	 TE Connectivity	
DIMENSIONS: mm		CHK G. Stegmayer 06 JUN 2012		
TOLERANCES UNLESS OTHERWISE SPECIFIED: 0 PLC ± 1 PLC ± 2 PLC ± 3 PLC ± 4 PLC ± ANGLES ± FINISH		APVD G. Stegmayer 06 JUN 2012	NAME DIE SET IPT T 25MM2	
MATERIAL		PRODUCT SPEC	SIZE A2	CAGE CODE 00779
		APPLICATION SPEC	DRAWING NO 528041-3	RESTRICTED TO
		WEIGHT	SCALE 3:2	SHEET 1 OF 1
		CUSTOMER DRAWING	REV G	